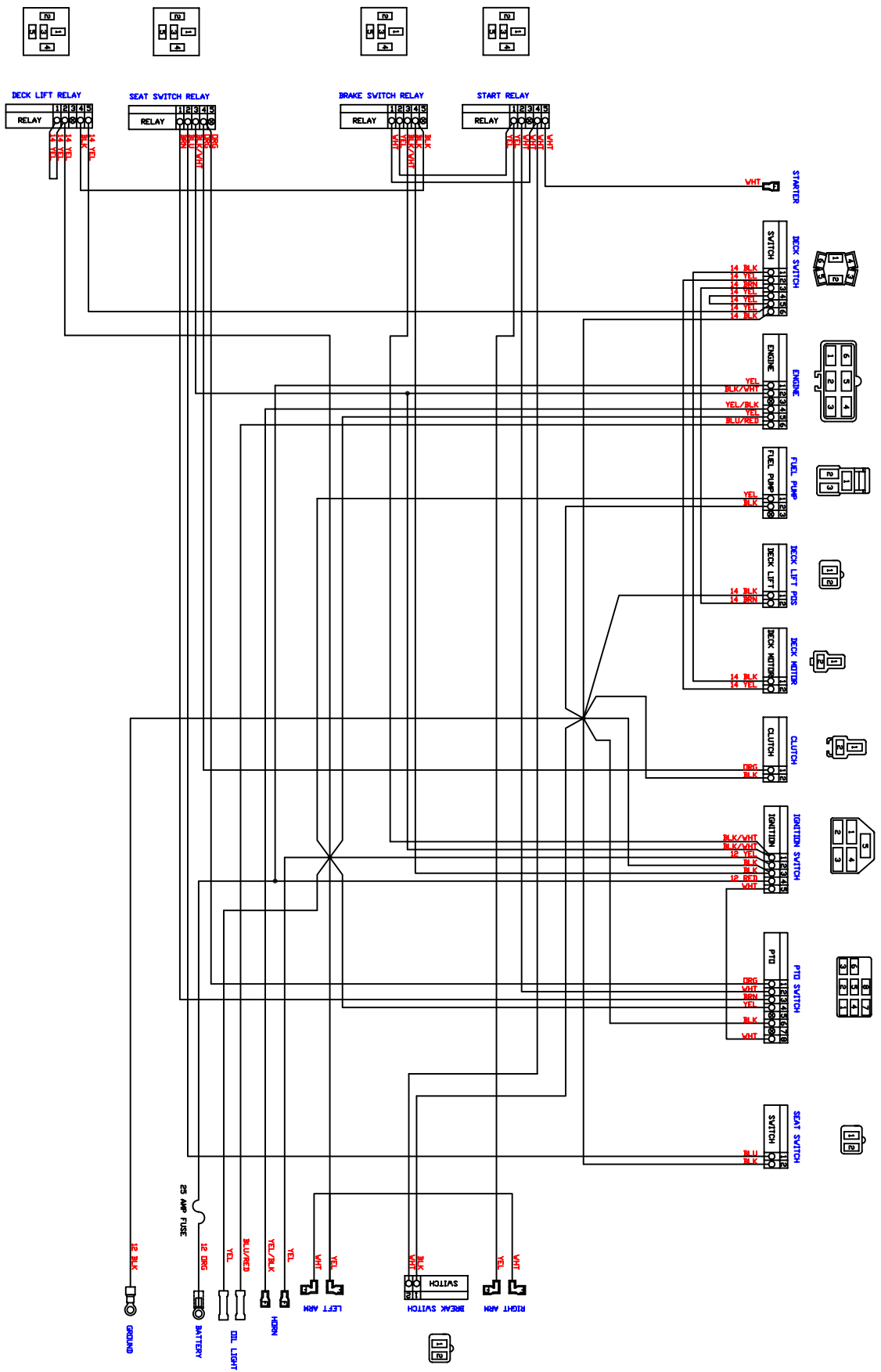


ALL WIRING IS FROM UNLESS NOTED OTHERWISE.



ELECTREX, INC.
 HUTCHINSON, KS
 CUSTOMER: BAID BOV
 THEIR P/N: 086-0027-00
 DWG TITLE: SCHEMATIC
 OUR P/N: 9199031SCHEMATIC
 P 1 OF 1 REVISION A
 DRAWN BY AND DATE 9/28/05

THIS DRAWING AND THE INFORMATION IT CONTAINS ARE THE PROPERTY OF ELECTREX, INC. AND MAY BE USED BY OTHERS ONLY AS AUTHORIZED BY US.