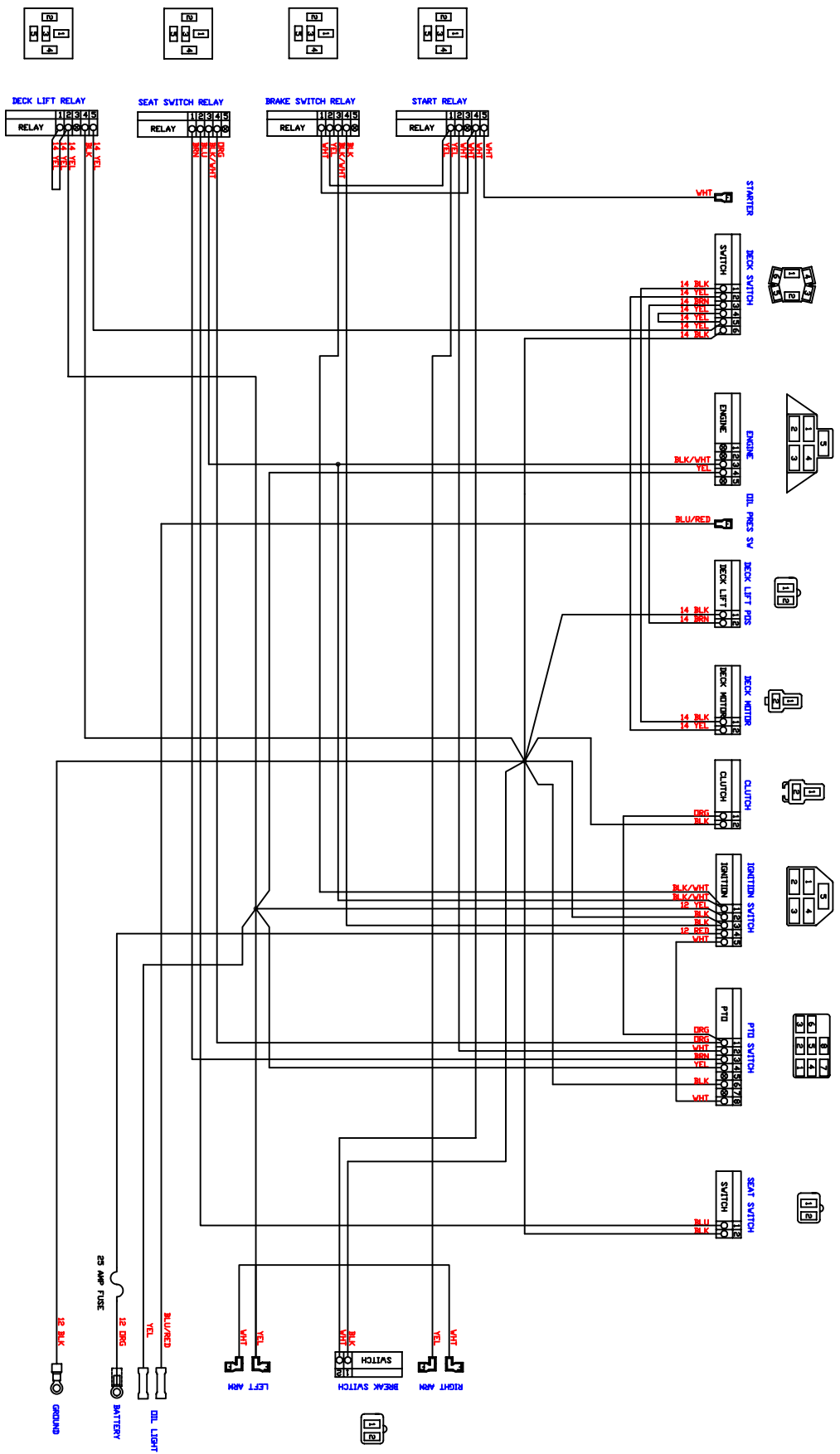


ALL WIRES 16GA UNLESS NOTED OTHERWISE.



ELECTREX, INC.
 HUTCHINSON, KS
 CUSTOMER: BAID BOY
 THEIR P/N: 086-2008-00
 DWG TITLE: SCHEMATIC
 OUR P/N: 9199030SCHEMATIC
 REVISION: A
 DRAWN BY: AND DATE: 9/28/05

THIS DRAWING AND THE INFORMATION IT CONTAINS ARE THE PROPERTY OF ELECTREX, INC. AND MAY BE USED BY OTHERS ONLY AS AUTHORIZED BY US.