



BAD BOY GRASS BAGGING SYSTEM HORIZONTAL BLOWER

TABLE OF CONTENTS

WILL FIT ALL; MZ, ZT, Maverick, and Magnum models.

SAFETY RULES AND INFORMATION 2

GENERAL OPERATION 3

WARRANTY INFORMATION 5

INSTALLATION INSTRUCTIONS..... 7





SAFETY RULES & INFORMATION



Read these safety rules and follow them closely. Failure to obey these rules could result in loss of control of unit, severe personal injury or death to you, or bystanders, or damage to property or equipment.

This mowing deck is capable of amputating hands and feet and throwing objects. The triangle in text signifies important cautions or warnings which must be followed.

GENERAL WARNINGS

- Know the mower controls, safety rules and how to stop quickly. READ AND UNDERSTAND THE MOWER OPERATOR'S MANUAL.
- Read and obey all safety decals.
- Wear appropriate ear, eye and breathing protection.
- Only allow responsible adults, who are familiar with the instructions, to operate the unit.
- Disengage the electric clutch (PTO). Shut off the engine and wait for all moving parts to stop before attaching, adjusting, or disconnecting any part of the collection system.
- Check the collection system to make sure it is bolted tightly to the Mower.
- DO NOT operate the mower without either the entire grass catcher or the deflector in place.
- Turn off the PTO switch to disengage the blades when not mowing.
- DO NOT mow in reverse. Always look down and behind before and while traveling in reverse.
- DO NOT turn sharply when traveling alongside a building or any object. Slow down before turning.
- DO NOT carry passengers on the rider.
- When blower assembly is removed from the mower deck, the discharge chute must be properly installed.
- Collector bags are subject to deterioration and wear during normal use. Inspect the bag periodically for tears, holes or weak spots and replace with a new bag that meets manufacturer's durability standards.
- If the mower stalls or blower chute plugs:
 - Disengage the electric clutch (PTO);
 - Stop the engine and remove the key;
 - Set the parking brake, and wait for all moving parts to stop.
 - Remove the foreign object or clear the chute with a piece of wood before restarting the engine. **NEVER place hands into blower housing to clear jammed object. Blower may rotate when object is removed.**
- For added rider stability and to prevent tipping or loss of control:
 - a Use reduced speed on uneven ground and when turning corners.
 - Reduce loads on hillsides. It is recommended that the collection system be kept no more than half full when negotiating any slopes. Start mowing on slopes when the collection system is empty.
 - c Mow across the face of slopes: not up and down.
 - If provided counter weights must be properly installed prior to using the grass collection system.

- **Never operate on slopes greater than 17.6% (10°).**



SAFETY DECALS

This unit has been designed and manufactured to provide you with the safety and reliability.

Although reading this manual and the safety instructions it contains will provide you with the necessary basic knowledge to operate this equipment safely and effectively, we have placed several safety labels on the unit to remind you of this important information while you are operating your unit.

All DANGER, WARNING, CAUTION and instructional messages on your bagger should be carefully read and obeyed. Personal bodily injury can result when these instructions are not followed. The information is for your safety and it is important! The safety decals below are on your bagger.

If any of these decals are lost or damaged, replace them at once. See your local dealer for replacements.

These labels are easily applied and will act as a constant visual reminder to you, and others who may use the equipment, to follow the safety instructions necessary for safe, effective operation.



GENERAL OPERATING INSTRUCTIONS

BEFORE OPERATION

Clear the lawn of all sticks, stones, wire and other debris which may be caught or thrown by the mower blades.

Check grass condition. If wet, wait until later in the day. If grass is wet, the grass catcher is likely to become plugged.

For efficient bagging, air circulation under the mower deck, through the chute and into the bag is very important.

For this reason, BEFORE YOU BEGIN MOWING you should make certain the underside of the mower and the underside of the catcher lid are free from grass and debris.

Make sure that there is a snug fit between mower deck, blower housing, tubes, and grass catcher cover.



MOWING WITH YOUR BAGGER

Always operate with throttle at full speed when mowing.

Always wear hearing protection when operating grass catcher.

Grass should be cut often, and not too short. If grass is too long or lush it may be necessary to keep ground speed to a minimum or to cut only half the width of the mower to prevent clogging. If grass is long, operate with mower in high cutting position for first pass, cutting again in a lower position on a second pass.

Do not open the cover with mower engaged.

If a large amount of cut grass is spilling out from under deck, the tube may be plugged or the bags may be full—discontinue mowing, stop the mower, disengage the PTO and then empty the catcher or clear the tube.

● **WARNING**

ALWAYS shut off the mower. Disengage the PTO, and allow all moving parts to stop **BEFORE** disconnecting or clearing tube, or emptying catcher.

Before leaving the operator's position for any reason, engage the parking brake, disengage the PTO, stop the engine and remove the key.

To reduce fire hazard, keep the engine, rider and mower free of grass, leaves and excess grease. Do not stop or park rider over dry leaves, grass or combustible materials.

AFTER OPERATION

Remove any debris from the screen on the under- side of the lid. *Note: The lid screen can be removed for easier cleaning and should be cleaned regularly.*

The blower housing and tube should be removed for cleaning.

Inspect the grass bags for wear or damage. Make sure that there is a snug fit between mower deck, blower housing, tubes, and grass catcher cover.

STORING THE GRASS CATCHER

Clean the grass catcher thoroughly using a mild detergent (other products may damage the tube). Remove any debris from the screen on the underside of the lid. The screen can be removed for easier cleaning.

If paint has been scratched on metal parts, touch up with paint, or apply a thin film of oil to prevent corrosion.

Store in a dry area. Hang the catcher and catcher bags to dry thoroughly before storing for a long period of time.

Always store away from moisture.

MOWING WITHOUT THE BLOWER

For operation without the blower, the discharge chute must be properly installed.



WARRANTY

OWNER/OPERATOR'S RESPONSIBILITY

It is the owner and/or operator's responsibility to read the owner's manual before use. Failure to read the owner's manual is considered a misuse of this equipment.

It is the owner and/or operator's responsibility to inspect the product and to have any part(s) repaired or replaced before continued operation. Failure to do so could cause damage, excessive wear to other parts, or jeopardize operator safety.

LIMITED WARRANTY

Bad Boy Mowers warrants to the original purchaser of any new Bad Boy Mower Accessory that the equipment be free from defects in material and workmanship for a period of 90 days from date of retail sale. At Bad Boy Mowers request, the customer will make the defective part available for inspection by Bad Boy Mowers and/or return the defective part to Bad Boy Mowers. Transportation charges prepaid.

WHAT THIS WARRANTY DOES NOT COVER:

This warranty does not cover defects caused by depreciation or damage caused by wear, accidents, improper maintenance, improper use or abuse of the product, alterations, or failure to follow the instruction contained in the Owner's Manual for operation and maintenance.

Normal maintenance service and normal replacement items such as Belts, Pulleys or normal deterioration of exterior finish due to use or exposure.

Bad Boy Mowers will not be responsible for the pickup and delivery of a machine for warranty purposes or inspection.



WARRANTY LIMITATION:

THERE IS NO OTHER EXPRESSED WARRANTY. ANY WARRANTY THAT MAY BE IMPLIED FROM THIS PURCHASE INCLUDING MERCHANTABILITY AND FITNESS FOR A PARTICULAR PURPOSE IS HEREBY LIMITED TO THE DURATION OF THIS WARRANTY AND TO THE EXTENT PERMITTED BY LAW ANY AND ALL IMPLIED WARRANTIES ARE EXCLUDED. Some states do not allow limitations on how long an implied warranty lasts, so the above limitations may not apply to you.

BAD BOY MOWERS WILL NOT BE LIABLE FOR ANY INCIDENTAL, CONSEQUENTIAL, OR SPECIAL DAMAGES AND/OR EXPENSES IN CONNECTION WITH THE PURCHASE OR USE OF THE UNIT.

Some states do not allow the exclusion or limitation of incidental or consequential damages, so the above limitation(s) or exclusion(s) may not apply to you.

HOW TO OBTAIN SERVICE UNDER THIS WARRANTY:

Warranty service can be arranged by contacting the dealer where you purchased the mower or by contacting Bad Boy Mowers at warranty@badboymowers.com.

Proof of the date of purchase may be required to verify warranty coverage

STEP 1: Install the Bag Carrier.

- Locate the carriage bolts to be used in this portion of the installation. Remove bolts(they will be replaced with grade 8 hardware.) (figure 1a).
 - Set one of the Carrier Supports in place. Align the corresponding holes from figure 1a and secure the brackets using the pervaded nuts and bolts (figure 1b). Leave the bolts just “snug” in case further adjustment is needed. Once installed, repeat for the other side of the mower.
 - Install the Carrier mount as shown in Figure 1c and 1d. Align the corresponding holes and secure it using the provided 1/2 x 1” bolts and locking nuts.
 - Install the Carrier onto the Carrier Mount by sliding the receivers over the tubes and aligning the corresponding holes (figure 1e). Secure the Carrier using the provided 1/2 x 2 1/2” bolts and locking nuts.
 - Install the Carrier Manifold by aligning the corresponding holes and secure using the provided 1/2 x 3/4 bolts and locking nuts. The tube should be pointing out and to the side as indicated in figure 1f.
 - Spread the Canvas Cover over the Carrier and align and snap in place (figure 1g). Clip the edges to the frame on the side and the rest of the way around (figure 1g, 1h and 1i).
- NOTE:** Some carriers may have canvas already attached, if so, proceed to next step.
- Slide the bags in place (figure 1j). Take notice that one side of the bag is a different material. The different material should go to the inside of the Carrier as shown in figure 1j.

NOTE: If installing a three bag system into the Maverick, a third brace will be included that will insert in the rear receiver hitch.



1a



1b



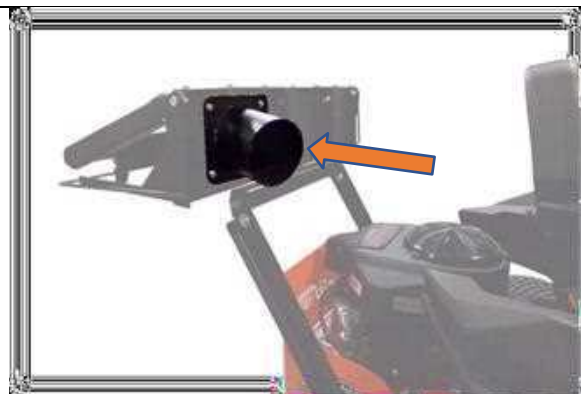
1c



1d



1e



1f



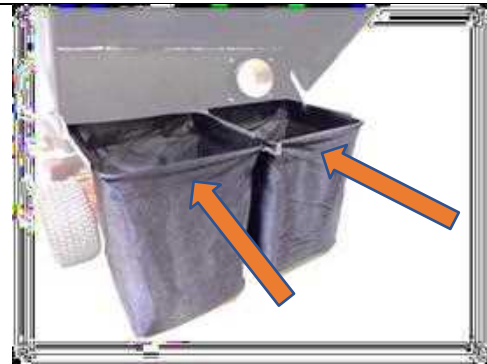
1g



1h



1i



1j

STEP 2: Installing the Blower Mounting Bracket, and Drive Pulley.

Process varies according to model and deck size. Identify the correct procedure for your model and proceed accordingly.

- Remove the rubber chute and the pulley cover (Figure 2a). Retain the nuts and bolts to be re-used.
- Use the nuts and bolts previously removed to secure the Blower Mounting Bracket to the deck (Figure 2b)
- Remove and retain the bolt holding the pulley indicated (Figure 2c).
- Set the Pulley in place with the concave side up and return the bolt and washers previously removed (Figure 2d).

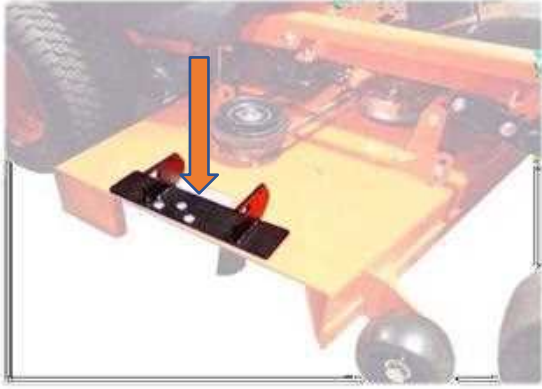
Proceed to the STEP 3.



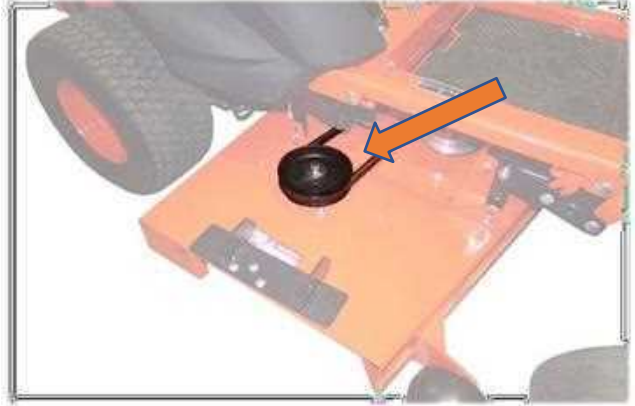
2a



2b



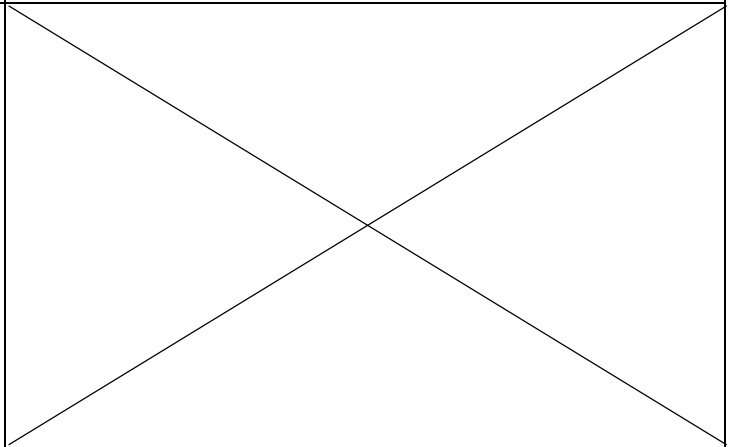
2bb



2c

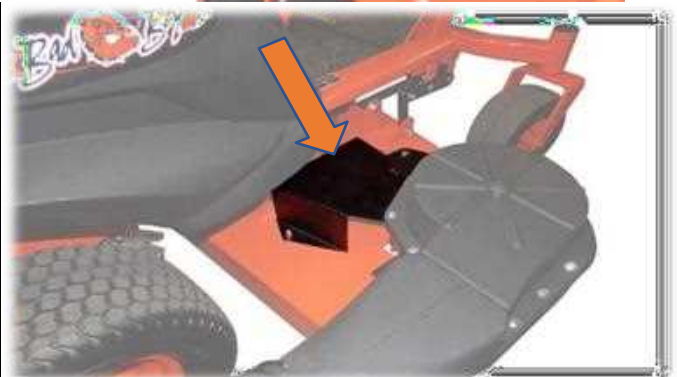


2d



STEP 3: Installing the Belt, and Blower.

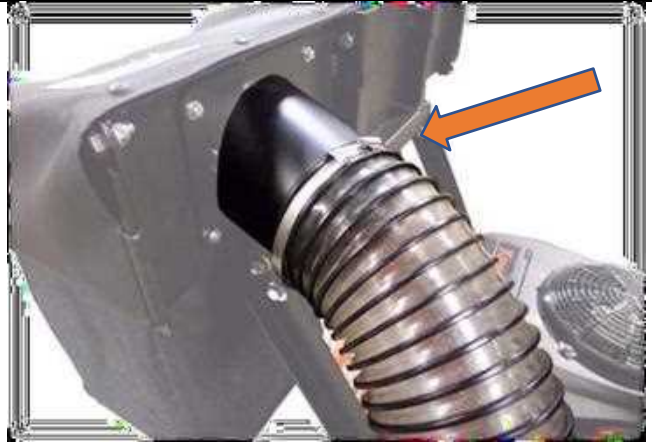
- Mount the Blower to the Blower Mounting Bracket by inserting the latch pin and retainer pin.
- Finish routing the belt to the blower pulley as shown.
- Install all belt and pulley covers.





STEP 4: Installing the Trunk Hose

- Slide one end of the Trunk Hose over the Carrier Manifold and secure using the provided hose clamp. This is a tight fit so some twisting and pushing is necessary (Figure 4a). It would be helpful to apply a lubricant (i.e. dish soap) to aid in installation.
- Slide the other end over the outlet portion of the blower and secure with the provided hose clamp (Figure 4b).
- **On most residential size mowers, it is necessary to trim the hose so that the hose does not kink or make a “hard turn” (figure 4c). Trim the hose so that it sweeps easy up to the bagger but not too short that it rubs the tire.**



4a

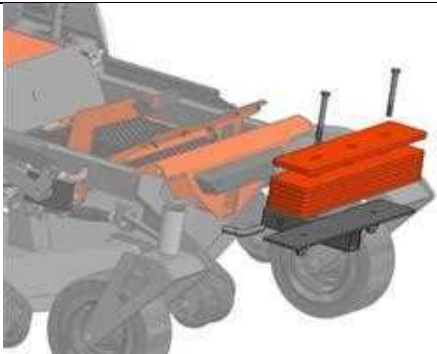
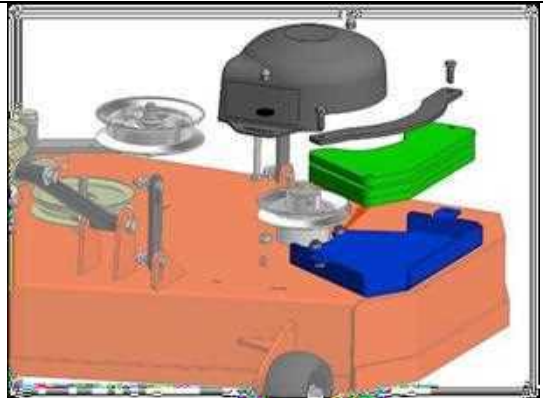
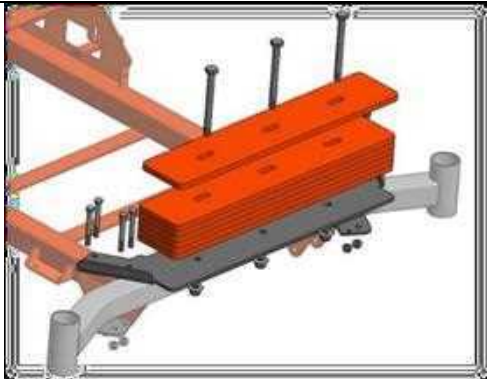


4b



4c

STEP 5: Add counterweights as illustrated.



Used only on models with a front suspension and receiver hitch.