

4' • 6' GRAPPLE

TRACTOR IMPLEMENT OWNER'S OPERATOR SERVICE MANUAL

For additional information, please see us at
www.badboymowers.com

TABLE OF CONTENTS

SPECIFICATIONS.....	3
GENERAL INFORMATION.....	3
SAFETY INFORMATION.....	4
MAINTENANCE & OPERATION.....	5-7
SAFETY DECAL LOCATION.....	8-9
PARTS BREAKDOWN.....	10-11

TO THE DEALER

Assembly, initial lubrication, and verification of proper installation of this product is the responsibility of the Bad Boy Implement dealer. Be familiar with the safety rules and instructions found in this manual.

TO THE OWNER

Note: Anyone who operates your Bad Boy Brush Grapple must first read this owner's manual. Although this Brush Grapple has been engineered with safety and reliability as the foremost concerns, there is no substitute for an informed and cautious operator. This manual should be viewed as a part of the equipment itself. If this manual is lost, destroyed, or otherwise rendered unreadable, obtain a duplicate immediately. A duplicate can be obtained online at www.badboymowers.com.

As with all machinery, this Brush Grapple requires periodic maintenance and should be kept free of debris buildup. Proper care will ensure many years of dependable service. Replacement parts should only be obtained from your Bad Boy Brush Grapple dealer or through the website referenced above. Failure to utilize approved parts can be dangerous and will void the warranty.

LEA EL INSTRUCTIVO!

Si no lee Ingles, pida ayuda a alguien que si lo lea para que le traduzca las medidas de seguridad.

Three terms are utilized throughout this manual and are present on the brush grapple's safety decals:

DANGER:	Indicates a hazardous situation that, if not avoided will result in death or serious injury.
WARNING:	Indicates a hazardous situation that, if not avoided, could result in death or serious injury.
CAUTION:	Indicates a hazardous situation that, if not avoided, could result in minor or moderate injury.

In order to better draw attention to these important safety messages, the above terms are accompanied with the following pictorial:



SPECIFICATIONS

MODEL	4'	6'
Weight	255lbs	375lbs
Height	24.5"	24.5
Depth	30"	30"
Overall Width	48.5"	70"
Clamp Width	38.25	64.5
Spear Spacing	11.25	11.3
Clamp Opening	35.5"	35.5"
Number of Spears	4	6

HYDRAULIC CYLINDER SPECIFICATIONS

BORE	STROKE	ROD	WORKING PRESSURE	TEST PRESSURE
ø2.5"	4.0"	ø1.125"	2500 PSI	3125 PSI

GENERAL INFORMATION

The purpose of this manual is to assist you in operating and maintaining your Brush Grapple. Read it carefully. It furnishes information and instructions that will help you achieve years of dependable performance.

These instructions have been compiled from field experience and engineering data. Some information may be general in nature, due to unknown and varying operating conditions. However, through experience and these instructions, you should be able to develop procedures suitable to your particular situation.

The illustrations and data used in this manual were current at the time of printing. However, due to possible inline production changes, your machine may vary slightly in detail. We reserve the right to redesign and change the machines as may be necessary without notification. Throughout this manual, references are made to right and left direction. These are determined by standing behind the tractor facing the direction of forward travel.



SAFETY RULES

Note: (Safety instructions are important!! While these instructions may seem lengthy or redundant, they are presented for your safety)

TRAINING:

- Almost all accidents arising from the use of equipment, such as this, that has resulted in injury or death would have been avoided had the instructions been adhered to.
- If you do not understand any part of this manual, contact your dealer for assistance.
- Dangerous situations can arise quickly. Know your controls and how to stop the engine and the attachment in an emergency. Fractions of a second can be extremely important.
- Do not allow anyone to operate the equipment without first requiring them to read this manual and giving proper instruction.
- Never allow children (< 16 years of age) or untrained persons to operate the equipment.

PREPARATION:

- Check that all hardware is properly installed.
- Wear sturdy, rough-soled work shoes and protective equipment for eyes, hair, hands, hearing, and head. Wear a respirator or filter mask where appropriate.
- Tractor must be equipped with Roll-Over Protective Structure (ROPS) or ROPS cab and seat belt. ALWAYS keep seat belt securely fastened. Falling off the tractor can, and does, result in death. Keep foldable ROPS system in “locked up” position at all times.
- Make sure attachment is properly secured, adjusted, and in good operating condition.
- A heavy load can cause instability in driving. Make sure the rear of the tractor is properly counter-balanced with weights. Always drive slowly – especially around turns. An unstable power unit could steer badly and possibly tip over, causing injury or death.
- Make sure all safety decals are installed and free from damage. Replace if damaged.
- Do not exceed the lift capacity of the front-end loader. See the loader specifications for your model of tractor
- Know your equipment’s operations, dimensions, and capabilities before operating.
- Visually inspect the equipment before operating. Make sure all latching and connecting devices are properly installed and secure.
- Replace any damaged or worn parts.
- Check the hydraulic system. Refer to your loader operator’s manual to ensure oil and filter have been serviced correctly.

OPERATION

- The operator is responsible for the safe operation of the Brush Grapple. The operator must be properly trained. Operators should be familiar with the Brush Grapple, the tractor utilized, and all safety practices before starting operation.
- Do not allow bystanders in the area when operating, attaching, removing, assembling, or servicing the Brush Grapple.
- Do not operate or transport equipment while under the influence of alcohol or drugs. Consult your physician about operating equipment while taking prescription medications.
- Operate only in daylight or good artificial light.
- Keep hands, feet, hair, and clothing away from equipment while engine is running. Stay clear of all moving parts.
- Always comply with all state and local lighting and marking requirements.
- NEVER ALLOW RIDERS ON POWER UNIT OR EQUIPMENT!
- Always sit in the tractor seat when operating controls or starting engine. Securely fasten seat belt, place transmission in neutral, engage brake, and ensure all other controls are disengaged before starting tractor engine.
- Look down and to the rear and make sure area is clear of people, animals, property, or foreign objects before operating in reverse. Children often do not understand the severity of the potential danger.
- Do not operate or transport on steep slopes.
- Do not stop, start, or change directions suddenly on slopes.
- Use extreme care and reduce ground speed on slopes and rough terrain.
- Watch for hidden hazards on the terrain during operation.
- Stop tractor unit and equipment immediately upon striking an obstruction. Turn off engine, remove key, inspect, and repair any damage before operation resumes.
- Leak down or failure of mechanical or hydraulic system can cause equipment to drop.
- Make certain all movement of equipment components has stopped before exiting the tractor.
- Only operate during daylight or when sufficient artificial light is available.
- The power unit must be equipped with a ROPS system. Operate the machinery with the seatbelt securely fastened.
- Use caution when working near fences, ditches, other obstructions or on hillsides.
- Center all loads on the Brush Grapple to maintain full stability.
- Stop the loader gradually when lifting or lowering a load.
- Before exiting the machine, set the Brush Grapple on the ground, engage the brake, stop the engine and remove the key.

MAINTENANCE

- Do not allow bystanders in the area when operating, attaching, removing, assembling, or servicing equipment.
- Keep all persons away from operator control area while performing adjustments, service, or maintenance.
- Do not modify or alter (or permit anyone else to modify or alter) the equipment or any of its components in any way.
- Always wear relatively tight and belted clothing to avoid getting caught in moving parts. Wear sturdy, rough-soled work shoes and protective equipment for eyes, hair, hands, hearing, and hearing.
- Make certain all movement of equipment components has stopped before approaching for service.
- Frequently check spears. They should be sharp, free cracks, and securely fastened.
- Your dealer can supply genuine replacement spears.
- Do not work under a raised loader without properly supporting it. Use the proper materials to avoid a collapse. Always perform maintenance on level ground.
- Never work underneath the equipment (lowered to the ground or raised) without the equipment being properly secured. Hydraulic systems can bleed down causing serious injury or even death.
- Never service the equipment with the engine running.
- Keep all personnel away from operator controls while performing service or maintenance.

Hydraulic fluid under pressure can penetrate the skin and cause serious injury or death.

- If a hydraulic leak is observed or even suspected, keep unprotected body parts such as face, eyes, and arms as far away from the leak as possible. Flesh injected with hydraulic fluid may develop gangrene or other permanent disabilities.
- If injured by fluid injection, see a doctor immediately!
- When searching for hydraulic leaks, wear protective clothing such as safety glasses, gloves, and sleeves. **DO NOT USE YOUR HAND TO CHECK FOR HYDRAULIC LEAKS!** Use a piece of cardboard or something similar to detect leaks.

CHILDREN

Extremely tragic accidents can, and do, occur if the operator is not continually alert to the presence of children. Children are often attracted to machinery and the mowing activity. NEVER assume that children will remain where you last saw them.

- **Keep children out of the brush removal area and under the watchful care of responsible adult other than the operator.**
- **Immediately turn the equipment off if a child enters the area.**
- **Never allow children to operate the equipment (<16 years of age).**
- **Use extra care when approaching blind corners, shrubs, trees, or other objects that may block your view of a child.**

TRANSPORTATION

- Follow all state and local laws governing highway safety any lighting requirements.
- Never allow riders on the loader or attachment.
- Do not operate or transport on steep slopes.
- Reduce speed on slopes and rough terrain.
- Travel with the attachment as close to the ground as possible.
- Do not operate any equipment under the influence of drugs or alcohol. Consult your physician about operating equipment while taking prescription medications.

SAFETY DECALS

1



2



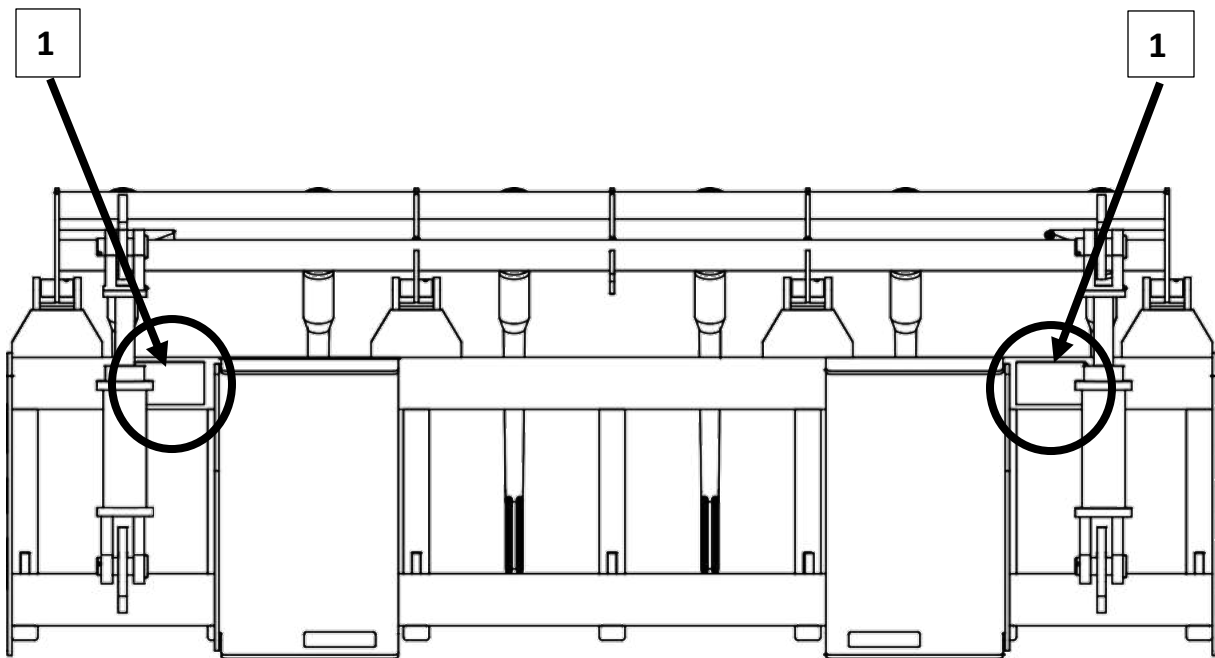
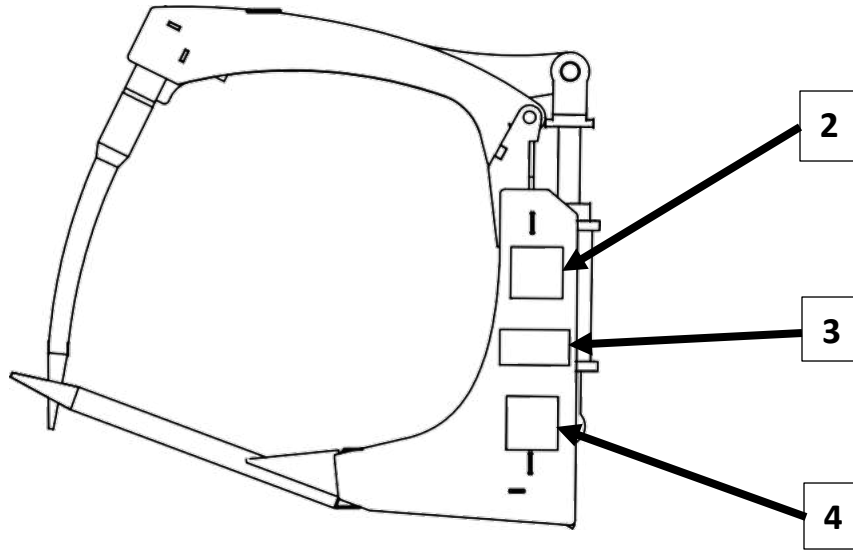
3



4

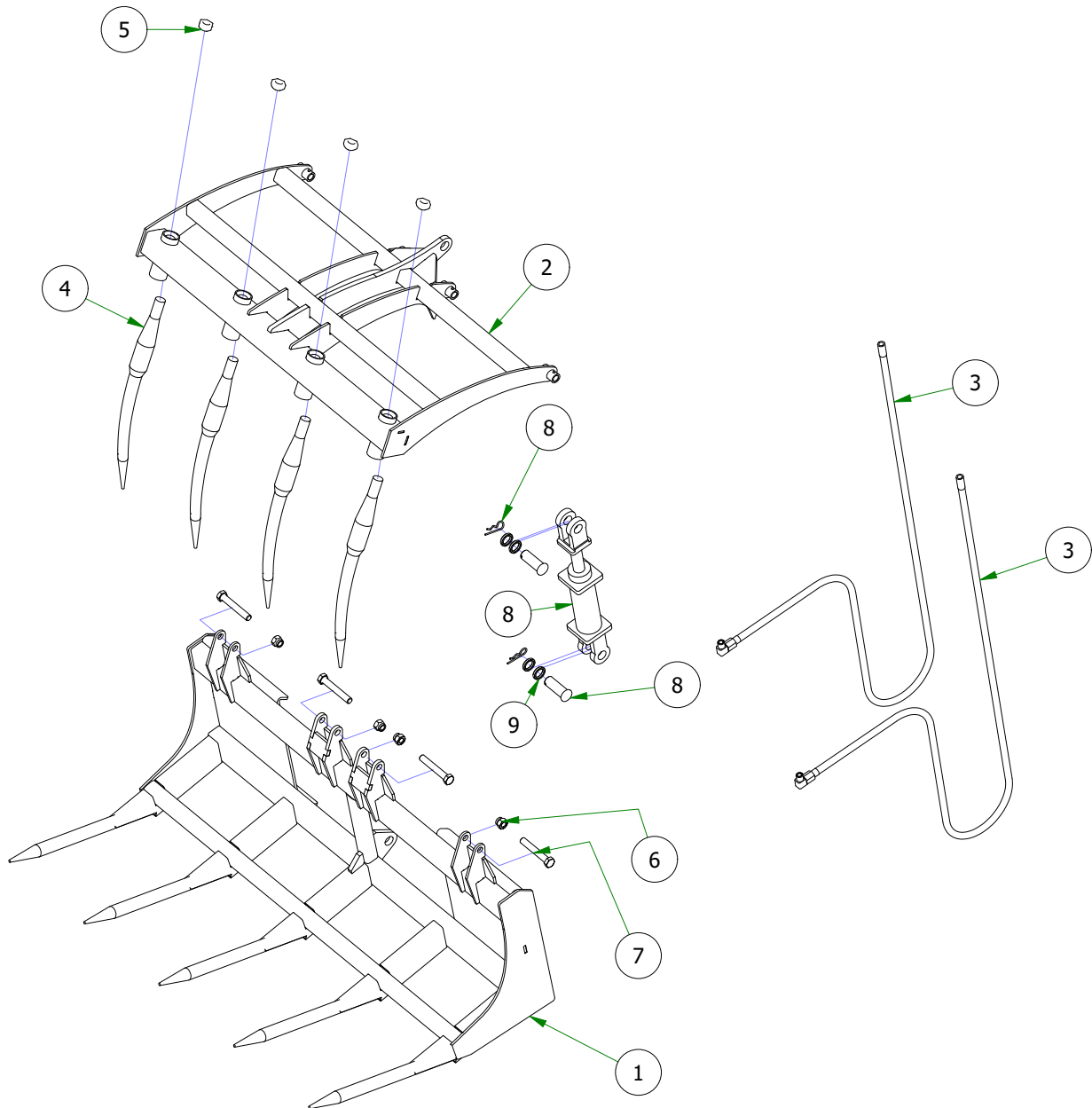


STICKER LOCATION



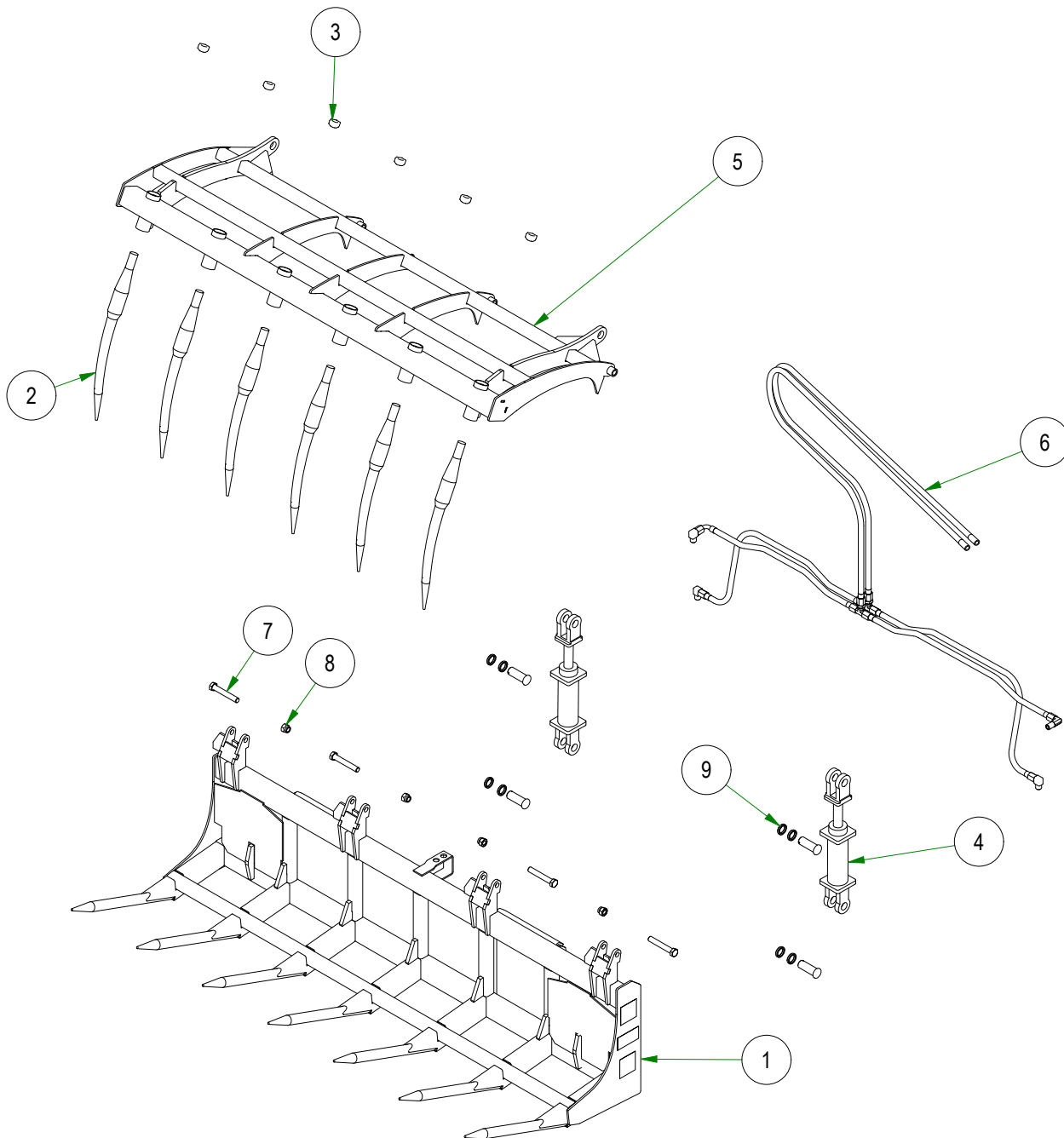
48" Brush Grapple Part List

Parts List			
ITEM	QTY	PART NUMBER	DESCRIPTION
1	1	388-3040-00	Q-Grapple Base Weldment Revision 4-21-20
2	1	388-3039-00	Q-Grapple Front Weldment Revision 4-21-20
3	1	351-0001-00	4ft hydraulic kit
4	4	338-0021-00	Spear 01
5	4	313-0026-00	Grapple Spear Nut
6	4	313-0002-00	5/8-11 NYL INS L/N ZC
7	4	018-5311-00	5/8-11 X 4 HEX CAP SCREW (GR.8) ZINC YELLOW
8	1	350-0034-00	Hydraulic Cylinder Assembly
9	4	058-1000-00	Spacer, 1x1.375x.25



72" Brush Grapple Part List

Parts List			
ITEM	QTY	PART NUMBER	DESCRIPTION
1	1	388-3043-00	6Q-Base Weldment 12-7-20
2	6	338-0021-00	Spear 01
3	6	313-0026-00	Grapple Spear Nut
4	2	350-0034-00	Hydraulic Cylinder
5	1	388-3044-00	6Q-Top Weldment 12-7-20
6	1	351-0002-00	6ft hydraulic kit
7	4	018-5311-00	5/8-11 X 4 HEX CAP SCREW (GR.8) ZINC YELLOW
8	4	313-0002-00	5/8-11 NYL INS L/N ZC
9	8	058-1000-00	Spacer, 1x1.375x.25



WARRANTY LIMITATION:

THERE IS NO OTHER EXPRESSED WARRANTY. ANY WARRANTY THAT MAY BE IMPLIED FROM THIS PURCHASE INCLUDING MERCHANTABILITY AND FITNESS FOR A PARTICULAR PURPOSE IS HEREBY LIMITED TO THE DURATION OF THIS WARRANTY AND TO THE EXTENT PERMITTED BY LAW ANY AND ALL IMPLIED WARRANTIES ARE EXCLUDED. Some states do not allow limitations on how long an implied warranty lasts, so the above limitations may not apply to you.

BAD BOY IMPLEMENTS WILL NOT BE LIABLE FOR ANY INCIDENTAL, CONSEQUENTIAL, OR SPECIAL DAMAGES AND/OR EXPENSES IN CONNECTION WITH THE PURCHASE OR USE OF THE IMPLEMENT. Some states do not allow the exclusion or limitation of incidental or consequential damages, so the above limitation(s) or exclusion(s) may not apply to you.

HOW TO OBTAIN SERVICE UNDER THIS WARRANTY:

Warranty service can be arranged by contacting the dealer where you purchased the Implement or by contacting Bad Boy Implements at warranty@badboycutters.com.

Proof of the date of purchase may be required to verify warranty coverage.

B. Warranty claims will not be reviewed or paid unless the warranty registration is received by Bad Boy Cutters within 30 days of the retail purchase date.

Record the model number, serial number and date purchased. This information will be helpful obtaining parts or service if required.

SERIAL NUMBER _____

DATE OF RETAIL SALE _____

PLACE OF PURCHASE _____

WARRANTY

OWNER/OPERATOR'S RESPONSIBILITY

It is the owner and/or operator's responsibility to read the owner's manual before use. Failure to read the owner's manual is considered a misuse of this equipment.

It is the owner and/or operator's responsibility to inspect the product and to have any part(s) repaired or replaced before continued operation. Failure to do so could cause damage, excessive wear to other parts, or jeopardize operator safety.

LIMITED WARRANTY

Bad Boy Implements warrants to the original purchaser of any new Bad Boy Implement(s) that the equipment be free from defects in material and workmanship for a period of one (1) year from date of retail sale.

At Bad Boy Implements request, the customer will make the defective part available for inspection by Bad Boy Implements and/or return the defective part to Bad Boy Implements. Transportation charges prepaid.

WHAT THIS WARRANTY DOES NOT COVER:

This warranty does not cover defects caused by depreciation or damage caused by wear, accidents, improper maintenance, improper use or abuse of the product, alterations, or failure to follow the instructions contained in the Owner's Manual for operation and maintenance.

Normal maintenance service and consumable items such as gearbox lubricant, blades, tire, or normal deterioration of exterior finish due to use or exposure.

Bad Boy Implements will not be responsible for the pickup and delivery of a machine for warranty purposes or inspection.



www.badboymowers.com

Bad Boy, Inc.

102 Industrial Drive

Batesville, Arkansas 72501