



MAVERICK MODELS

ZERO-TURN MOWER

OWNER'S, SERVICE & PARTS MANUAL

For additional information, please see us at
www.badboymowers.com

Bad Boy, Inc.
102 Industrial Drive
Batesville, Arkansas 72501

TABLE OF CONTENTS

Basic Information.....	Section 1 (page 4)
Bad Boy Safety Guidelines	Section 2 (pages 5–8)
Operation	Section 3 (pages 9)
Maintenance	Section 4 (pages 10-11)
Storage and Transportation	Section 5 (page 12)
Troubleshooting and FAQ.....	Section 6 (page 13)
Controls	Section 7 (page 14)
Moving In-operable Mower.....	Section 8 (page 15)
Instrumentation	Section 9 (page 15)
Mower Blade Maintenance.....	Section 10 (page 16)
Greasing Bearings.....	Section 11 (page 16)
How to choose the right blade	Page 17
Mowing Tips	Page 18
Service Section	Page 19
Parts Section	Page 39
Limited Warranty	Page 62



This manual applies to the following equipment:

Bad Boy Maverick Series

Maverick 4800 48" 747cc Kohler Confidant
 Maverick 5400 54" 747cc Kohler Confidant
 Maverick 6000 60" 747cc Kohler Confidant
 Maverick 4800 48" 726cc Kawasaki FS730V
 Maverick 5400 54" 726cc Kawasaki FS730V
 Maverick 6000 60" 726cc Kawasaki FS730V

COMMONLY USED ITEMS AND PART NUMBERS

60" Maverick Blade	Hi-Lift Fusion 038-6060-00	Gator Blade 038-6003-00	Wave Blade 038-6016-00
54" Maverick Blade	Hi-Lift Fusion 038-0001-00	Gator Blade 038-0003-00	Wave Blade 038-5220-00
48" Maverick Blade	Hi-Lift Fusion 038-5350-00	Gator Blade 038-5000-00	Wave Blade 038-4825-00
Maverick Hydraulic Filter	063-1050-00		
60" Maverick Deck Belt	041-1650-00		
54" Maverick Deck Belt	041-1560-00		
48" Maverick Deck Belt	041-1470-00		
Maverick Pump Belt	041-7400-00		
Fuel Filter	Kohler Engines 063-5001-00	Kawasaki Engines 063-6000-00	
Spark Plug	Kohler Engines 015-8000-00	Kawasaki Engines 015-8001-00	
Air Filter	Kohler Engines 063-5002-00 Pre-cleaner 063-5003-00 Element	Kawasaki Engines 063-2097-00	
Oil Filter	Kohler Engines 063-5004-00	Kawasaki Engines 063-8017-00	
Motor Oil	10W-30 Motor Oil – Bad Boy Synthetic Blend Motor Oil Recommended		
Hydraulic Oil	20W-50 Motor Oil – Bad Boy Hydrostatic Oil Recommended (Approximately 2.5 quarts per transaxle)		

SECTION 1: BASIC INFORMATION

Congratulations on the purchase of your new Bad Boy Mower! The purpose of this manual is to assist operators in maintaining and operating their machine. The information and instructions in this manual can help you attain years of performance from your new Bad Boy. Also, check out our website to learn more about the Bad Boy family.

- 1.1 All Bad Boy engines use 10W-30 engine oil. For maximum protection, Bad Boy synthetic blend engine oil is recommended.
- 1.2 All Bad Boy hydraulic systems use 20W-50 engine oil (Conventional or Synthetic). Bad Boy Hydrostatic oil is recommended.
- 1.3 All Bad Boy Mowers use hi-temp multi-purpose grease. NLGI No. 2 for the grease fittings.
- 1.4 Maverick models have 12 psi in both front and rear tires.
- 1.5 Most Briggs, Kohler, Kawasaki, and Vanguard engines hold approximately two (2) quarts of motor oil. Be careful not to over fill engine oil. Refer to the engine's service manual.

Warranty Registration

The Warranty Registration form must be completed within 30 days to validate your warranty. As the new equipment owner, you are expected to see that the form is completed and forwarded to Bad Boy, Inc., at time of delivery. Warranty is non transferable. **Warranty registration should be completed by the selling dealership using the on-line registration site.**

Model/Serial Number

Your Maverick model serial numbers are found on the SIN plate underneath seat. Also, these numbers can assist you in the ordering of new parts when replacements become necessary.

Parts/Service

Only Bad Boy replacement parts are to be used on your mower.

Replacement parts are available through your local Bad Boy Mower Dealer. Remember to always provide the following information when ordering parts:

1. Correct part number
2. Correct serial number

All warranty repair and service must be handled through your authorized Bad Boy Mowers dealer.

To locate the nearest dealer, go to our website and click on Locate a Dealer.

EVAPORATIVE EMISSION CONTROL WARRANTY STATEMENT

Federal Evaporative Emission Control Warranty: Your Warranty Rights and Obligations

The Environmental Protection Agency (EPA), and Bad Boy Inc. are pleased to explain the evaporative emission control system's warranty on your 2016 equipment. New equipment that uses spark ignition engines for off-road use must meet stringent anti-smog standards. The evaporative emission control system on your equipment is designed, built, and equipped so it conforms at the time of sale to the ultimate purchaser with the requirements of 40 CFR 1060. The evaporative emission control system is free from defects in materials and workmanship that may keep it from meeting said requirements. Bad Boy Inc. must warrant the evaporative emission control system on your equipment for two years provided there has been no abuse, neglect or improper maintenance. If an evaporative emission control system component does fail in a manner that would cause the equipment to no longer meet the requirements of 40 CFR 1060 within the first two years Bad Boy Inc. will replace the defective component. Your evaporative emission control system may include parts such as fuel tanks, fuel lines, carbon canisters, fuel caps, valves, vapor hoses, clamps, or connectors.



SECTION 2: MOWER SAFETY GUIDELINES

Never allow untrained people to operate this machine. It is the owner's responsibility to get training and see to it that anyone who has permission to use your machine receives the proper training. Do not mow around people. The factory discharge chute is designed to deflect debris downward, but it could be possible for debris to be thrown in a way that can cause damage to people or property. Seek additional training when possible to learn more about safety techniques and practices. **This cutting machine is capable of amputating hands and feet and throwing objects. Failure to observe the following safety instructions could result in serious injury or death.**

GENERAL OPERATION

- 2.1 Read, understand, and follow all instructions on the machine and in the manual before starting.
- 2.2 Do not put hands or feet near rotating parts or under the machine. Keep clear of the discharge opening at all times.
- 2.3 Always remain seated while operating the machine. If the machine is equipped with Roll Over Protection (ROPs), always buckle your seat belt.
- 2.4 Only allow responsible adults who are familiar with the instructions to operate this machine.
- 2.5 Clear the area of objects such as rocks, wire, toys, etc., which could be thrown by the blades.
- 2.6 Always maintain a safe distance from people and pets just prior to, and during, operation. Stop the machine if anyone enters the area.
- 2.7 Never carry passengers.
- 2.8 Do not mow in reverse unless absolutely necessary. Always look down and behind before and while backing.
- 2.9 Never direct discharged material toward anyone. Avoid discharging material against a wall or obstruction as material may ricochet back toward the operator. Stop the blades when crossing gravel surfaces.
- 2.10 Never operate the machine without the discharge chute, grass catcher, or other safety devices correctly in place and functioning properly.
- 2.11 Slow down before turning.
- 2.12 Always disengage blades, place steering controls in neutral, engage parking brake, and remove ignition key when leaving operators seat. Never leave a running machine unattended.
- 2.13 Disengage blades when not mowing. Shut off engine and wait for all parts to come to a complete stop before cleaning the machine, inspecting the machine for damage, removing the grass catcher, or unclogging the discharge guard.
- 2.14 Always operate machine in daylight or with adequate working lights.
- 2.15 Do not operate the machine while under the influence of alcohol or drugs.
- 2.16 Watch for traffic when operating near or crossing roadways.
- 2.17 Always wear eye protection when operating or servicing the machine.
- 2.18 Always wear ear protection, such as earplugs, while mowing.
- 2.19 Use extra care when loading or unloading the machine into a trailer or truck.
- 2.20 Be alert of surroundings. Watch for rocks, stumps, mounds, depressions, and low hanging limbs or objects that could be potentially hazardous while mowing.
- 2.21 Data indicates that operators 60 years of age and above are involved in a large percentage of riding mower related injuries. These operators should periodically evaluate their ability to operate the riding mower safely enough to protect themselves and others from serious injury.

SLOPE OPERATION

Slopes are a major factor related to loss of control and tip over accidents, which can result in severe injury or death. Operation on all slopes requires extra caution. If you cannot back up the slope, or you feel uneasy on it, do not mow it.

- 2.22 Mow up and down slopes, not across.
- 2.23 Watch for holes, ruts, bumps, rocks, or other hidden objects that tall grass can obscure. Uneven terrain could overturn the machine.
- 2.24 Choose a low ground speed when operating the machine on a slope.
- 2.25 Do not mow on wet grass, the tires may lose traction.
- 2.26 Do not attempt to coast down a slope in the neutral position.
- 2.27 Avoid starting, stopping, or turning on a slope. If the tires lose traction, disengage the blades and proceed slowly, straight down the slope.
- 2.28 Keep all movement on slopes slow and gradual. Sudden changes in speed or direction could cause the machine to roll over.
- 2.29 Use extra care while operating machine with grass catchers or other attachments: they can affect the stability of the machine. Do not use on steep slopes.
- 2.30 Do not try to stabilize the machine by putting your foot on the ground.
- 2.31 Do not mow near drop offs, ditches or embankments. The machine could suddenly roll over if a wheel goes over the edge or the edge caves in.
- 2.32 Be aware of what is located at the bottom of slopes. For example: rocks water, cliffs, and roadways.

CHILDREN

Tragic accidents can occur if the operator is not alert to the presence of children. Children are often attracted to the machine and the mowing activity. NEVER assume that children will remain where you last saw them.

- 2.33 Keep children out of the mowing area and in the watchful care of a responsible adult other than the operator.**
- 2.34 Maintain alertness and turn machine off if a child enters the area.**
- 2.35 Before and while backing, look behind and down for small children.**
- 2.36 Never carry children, even with the blades shut off. They may fall off and be seriously injured or interfere with safe machine operation. Children who have been given rides in the past may suddenly appear in the mowing area for another ride and be run over or backed over by the machine.**
- 2.37 Never allow children to operate the machine.**
- 2.38 Never leave key in the ignition, especially around children.**
- 2.39 Use extreme care when approaching blind corners, shrubs, trees, or other objects that may block your view of a child.**

TOWING

- 2.40 Tow only with a machine that has a hitch specifically designed for towing. Do not attach towed equipment except at the hitch point.
- 2.41 Follow the manufacturer's recommendation for weight limits for towed equipment and towing on slopes.
- 2.42 Never allow children or others in or on towed equipment.
- 2.43 On slopes, the weight of the towed equipment may cause loss of traction and loss of control.
- 2.44 Travel slowly and allow extra distance to stop.



SERVICE:

SAFE HANDLING OF GASOLINE

To avoid personal injury or property damage, use extreme care in handling gasoline. Gasoline is extremely flammable and the vapors are explosive.

- 2.45 Extinguish all cigarettes, cigars, pipes, and all other sources of ignition.
- 2.46 Use only an approved gasoline container.
- 2.47 Never remove gas cap or add fuel with the engine running.
- 2.48 Allow engine to cool before refueling.
- 2.49 Never fuel the machine indoors.
- 2.50 Do not store machine near open flame or source of ignition, such as a water heater or furnace.
- 2.51 Remove gas powered equipment from the truck or trailer and refuel it on the ground. If this is not possible, then refuel such equipment with a portable container, rather than from a gasoline dispenser nozzle.
- 2.52 Never fill gasoline containers inside a vehicle or on a truck or trailer bed with a plastic liner. Always place containers on the ground away from your vehicle before filling.
- 2.53 Keep the nozzle in contact with the rim of the fuel tank or container opening at all times until the fueling is complete. Do not use a nozzle lock-open device.
- 2.54 If fuel is spilled on clothing, change clothing immediately.
- 2.55 Never overfill fuel tank. Replace gas cap and tighten securely. **Tank is full when level reaches bottom of fill tube.**

GENERAL SERVICE

- 2.56 Never operate machine in a closed area where dangerous carbon monoxide fumes can collect.
- 2.57 Keep all nuts and bolts tight to be sure the equipment is in safe working condition. Never operate a poorly maintained machine.
- 2.58 Do not touch hot areas of the machine.
- 2.59 Never interfere with the intended function of a safety device or reduce the protection provided by a safety device. Check their proper operation regularly.
- 2.60 Keep the entire machine free of grass, leaves, or other debris build up. Clean up oil or fuel spillage and remove any fuel soaked debris. Failure to do so can affect the safety and functionality of the machine, as well as increase the danger of a fire due to contact with the hot surfaces of the machine.
- 2.61 Allow machine to cool before storing.
- 2.62 If you strike something with the mower, turn the mower and blades off, engage the parking brake, and inspect the machine for damage. Repair, if necessary, before resuming.
- 2.63 Never make any adjustments or repairs with the engine running.
- 2.64 Check grass catcher components and the discharge guard frequently and replace with manufacturer's recommended parts, when necessary.
- 2.65 Mower blades are sharp. Wrap the blade or wear gloves before servicing them.
- 2.66 Check parking brake operation frequently. Adjust and service as required.
- 2.67 Maintain or replace safety and instruction labels, as necessary.
- 2.68 Do not attempt to mount a tire without the proper equipment and experience to perform the job.

-
- 2.69 Always maintain the correct tire pressure. Do not inflate the tires above the recommended pressure. Never weld or heat a wheel and tire assembly. The heat can cause an increase in air pressure resulting in a tire explosion. Welding can structurally weaken or deform the wheel.
 - 2.70 Park machine on level ground. Never allow untrained personnel to service machine. Understand service procedure before doing work.

SAFETY INTERLOCK SYSTEM

Your Bad Boy mower is equipped with a safety interlock system. This system is designed to prevent serious injury or death to the operator and other people or property damage. The system consists of an operator presence switch in the seat, the parking brake, drive lever neutral position, the mower blade engagement switch, and the ignition switch.

These interlocks are vitally important and must be tested frequently. Following are instructions to test these very important safety precautions. **Note: the operator must be seated properly on the machine during these tests and the engine should have been previously allowed to warm to operating temperature.**

- 2.71 With the parking brake engaged, bring lever arms to their inward position, then attempt to start the machine (the blade actuator should be in off position); the engine should not start.
- 2.72 On a level surface, disengage the parking brake and place lever arms to their outward position, then attempt to start the machine (the blade actuator should be in off position); the engine should not start.
- 2.73 Engage parking brake and leave lever arms in outward position, put blade actuator in the on position, then attempt to start the machine; the engine should not start.
- 2.74 Next, start the engine as stated in the "Mower Operation Section", disengage parking brake, and Very Slowly begin to rise from the seat; the engine should stop.

If any of these tests fail to produce the results indicated and the problem cannot be identified, contact your Bad Boy Mower dealer or the support contacts in the rear of this manual.

ROLL OVER PROTECTION STRUCTURES (ROPS)

Your machine has been equipped with ROPS; it is of utmost importance that they are used properly. ROPS, when used correctly, dramatically decrease the fatality rate in instances when the machine overturns.

- 2.75 Periodically ensure the bolts that attach the ROPS to the machine are securely fastened.
- 2.76 Always operate the machine with the ROPS secured in the upright position.
- 2.77 If the surrounding environment (e.g. low lying limbs, signage, etc.) makes it impossible to mow with the ROPS upright, lower the ROPS at the hinge point, mow the area, then immediately secure the ROPS upright.
- 2.78 Upright ROPS are taller than the operator's head. Be aware of this and your surrounding environment, as referenced above. The mower and operator may clear low lying items, but the ROPS may not.
- 2.79 Always wear the provided seat belt when ROPS are utilized. Failure to use the seat belt severely handicaps the safety benefits of the ROPS.
- 2.80 In the event of a roll-over, replace the ROPS before resuming use of the machine.



SECTION 3: MOWER OPERATION

Never operate the machine with faulty equipment. Always be alert of sudden changes in landscape, as the mower will react differently on slopes or embankments than it will on flat surfaces. Never operate the mower with the discharge chute open. Do not cross terrain, other than grass, with blades turning. This could cause damage to property or bystanders.

- 3.1 Place parking brake in up position
- 3.2 Drive arms must be in the “open” position. While sitting on the machine, each arm is positioned away from the operator, to the right and left. Drive arms will lock into place and must be in this position to start machine.
- 3.3 Put PTO switch in the OFF position.
- 3.4 Your machine has been equipped with a ROPS (Roll Over Protection Structure); you must fasten seatbelt.
- 3.5 If machine has not been started recently, engage the choke.
- 3.6 Make sure nothing is under or around machine.
- 3.7 Place key in ignition and turn.
- 3.8 Once machine is started, disengage the choke.
- 3.9 Increase RPM by sliding the throttle to fast position, toward the rabbit.
- 3.10 Owners must become familiar with the controls before operating a zero-turn radius vehicle.
- 3.11 Start slowly and build your skill level. Have ample practice before using the machine at full capabilities.
- 3.12 Be comfortable with machine before engaging blades. Know what each component controls before using machine.
- 3.13 Your mower will perform differently on an incline /decline. Be cautious, slow down, and do not make any sudden jerking movements with control arms. The machine could lose traction on a decline or tip backwards on an incline.
- 3.14 Once you become comfortable with your Bad Boy Mower you will notice your overall mowing time will decrease.

***Avoid operating your mower on side hills of over 5 degrees,
inclines of over 10 degrees,
and declines of over 15 degrees.***

SECTION 4: MOWER MAINTENANCE

Maintenance	Interval						Section
	Daily	First 8 hours	Every 50 hours or annually*	Every 100 hours or annually*	Every 200 hours	Every 250 hours	
Check and add engine oil	•						Section 3
Check all belts for proper alignment	•						Section 2 (Pump) 6 (Deck)
Check tire pressure and wheel lug nuts	•						Section 5
Check battery terminal connections	•						Section 4
Check condition of blades	•						Section 6
Check for fuel and oil leakage	•						Section 3
Initial oil change		•					Section 3
Change engine oil and filter			•				Section 3
Tighten nuts and screws			•				
Grease mower				•			Section 5
Replace air element and pre-cleaner ◇				•			Section 3
Replace fuel filter ◇				•			Section 3
Clean or replace spark plugs and set gap				•			Section 3
Clean combustion chamber ^{Dealer}						•	
Check and adjust valve clearance _{Dealer}						•	
Clean and lap valve seating surface _{Dealer}						•	

*Maintenance by hour or annually which ever come first

◇ Check air and fuel filter more often in dusty conditions

^{Dealer} Get maintenance performed at a registered dealership



Maintenance Log

<i>Date:</i>	<i>Hours:</i>	<i>Performed:</i>
<i>Date:</i>	<i>Hours:</i>	<i>Performed</i>
<i>Date:</i>	<i>Hours:</i>	<i>Performed:</i>
<i>Date:</i>	<i>Hours:</i>	<i>Performed</i>
<i>Date:</i>	<i>Hours:</i>	<i>Performed</i>
<i>Date:</i>	<i>Hours:</i>	<i>Performed:</i>
<i>Date:</i>	<i>Hours:</i>	<i>Performed</i>
<i>Date:</i>	<i>Hours:</i>	<i>Performed:</i>
<i>Date:</i>	<i>Hours:</i>	<i>Performed</i>
<i>Date:</i>	<i>Hours:</i>	<i>Performed</i>
<i>Date:</i>	<i>Hours:</i>	<i>Performed:</i>
<i>Date:</i>	<i>Hours:</i>	<i>Performed:</i>
<i>Date:</i>	<i>Hours:</i>	<i>Performed</i>
<i>Date:</i>	<i>Hours:</i>	<i>Performed</i>
<i>Date:</i>	<i>Hours:</i>	<i>Performed</i>
<i>Date:</i>	<i>Hours:</i>	<i>Performed:</i>
<i>Date:</i>	<i>Hours:</i>	<i>Performed:</i>
<i>Date:</i>	<i>Hours:</i>	<i>Performed:</i>
<i>Date:</i>	<i>Hours:</i>	<i>Performed:</i>
<i>Date:</i>	<i>Hours:</i>	<i>Performed:</i>
<i>Date:</i>	<i>Hours:</i>	<i>Performed:</i>
<i>Date:</i>	<i>Hours:</i>	<i>Performed:</i>

SECTION 5: MOWER STORAGE & TRANSPORTATION

- 5.1 Keep machine from collecting debris by storing in a covered area while not in use.
- 5.2 Fuel can harm your machine if left for more than 30 days without changing, especially if the fuel contains ethanol. Never use fuel with more than 10% ethanol by volume. E-15 is not permitted.
- 5.3 Disconnect the negative battery cable when machine will be stored for more than 30 days.
- 5.4 Always secure machine properly when transporting machine.
- 5.5 Do not load machine on trailer with blades engaged.
- 5.6 Do not use ramps to load the machine.
- 5.7 Make sure Parking Brake is in “up” position.
- 5.8 In wet conditions tires may spin while loading / unloading. If necessary, wait for dry conditions before loading / unloading.
- 5.9 Make sure mode of transportation is suitable to bear the weight of mower.
- 5.10 Deck height should be set at maximum before attempting to load.
- 5.11 Secure mower with at least two straps capable of securing weight of mower.

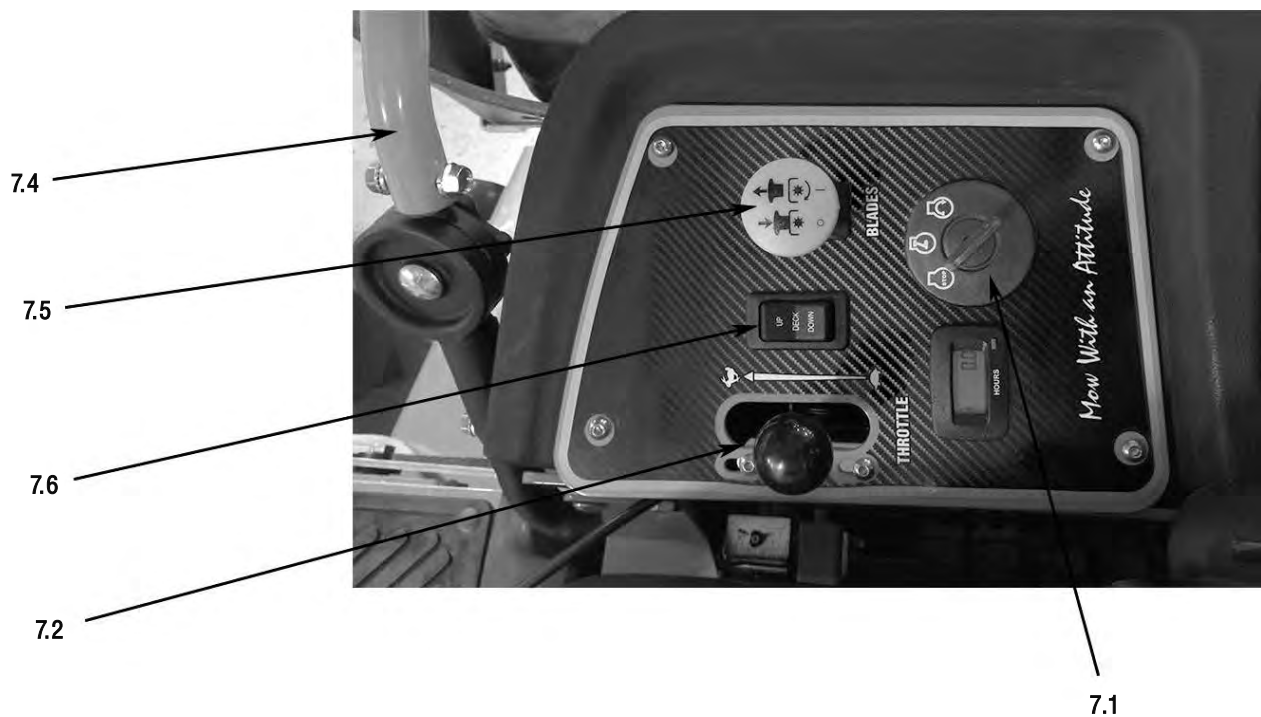


SECTION 6: TROUBLESHOOTING

- 6.1 **Q:** *How do I prevent an uneven cutting pattern and increase the quality of cut?*
- 6.1 **A:** Check tire pressure, check blade sharpness (replace blades or sharpen at least once per year or when needed), make sure blades are tightened properly, check spring and belt tension, check the underside of the deck to ensure the mower deck is free of grass build-up and debris, make sure your machine is at full throttle, and vary your mowing pattern each time you cut your grass.
- 6.2 **Q:** *What should I do if my mower won't start?*
- 6.2 **A:** Check battery charge and connection (grounds), check your fuel (make sure fuel is less than 30 days old and contains no water), make sure your spark plug is in good condition and spark plug wire is attached, and make sure air filter is clean (a dirty filter makes it more difficult for the engine to draw air). Check the integrity of the 25 amp main fuse; also check for any bare wires and/or bad connections.
- 6.3 **Q:** *What should I do if the blades won't engage?*
- 6.3 **A:** Make sure the safety switch is plugged in on the bottom of seat. Check the underside of the PTO engager to ensure the plug is secure at switch. Also check PTO fuse underneath operator console (10amps)
- 6.4 **Q:** *What type of fuel is recommended for my mower?*
- 6.4 **A:** We recommend that you use a name brand fuel to ensure quality. Use fuel with an octane rating near 87. Higher octane fuels offer no benefit. By law, E-15 fuel is not permitted. Usage of E-15 will result in premature engine failure.
- 6.5 **Q:** *Do you offer touch-up paint for your mowers?*
- 6.5 **A:** Touch-up paint is available. Contact your local dealer for more information.
- 6.6 **Q:** *How durable is the electric deck lift?*
- 6.6 **A:** The actuator which controls the deck height is designed for moving loads of up to 1000 pounds and has a static holding capability which exceeds 3,000 pounds. Our 1/4" deck weighs approximately 250 pounds which is only 25% of working capability. If deck lift will not operate, check fuse located underneath operator console (15amp).

SECTION 7: CONTROLS

- 7.1 **Ignition Switch**—Bad Boy mowers have a three position ignition switch: off, run, and start. With key inserted, rotate it clockwise to START position and release key when engine starts, and switch will automatically return to the RUN position.
- 7.2 **Throttle Control**—A cable is connected to the engine throttle for controlling engine speed. Move lever forward to increase engine rpm, move lever backward to decrease engine rpm.
- 7.3 **Choke Control**—(Not pictured) When the lever is in the down position, the choke is in the off (run) position. When the lever is pulled up, the choke is in the on (start) position. Do not operate the machine in the on (start) position.
- 7.4 **Control Levers**—These levers control the mower's speed, direction, and neutral lock. These levers are used to steer, accelerate, decelerate and change direction. (Drive Arms)
- 7.5 **Blade Engage Switch**—This switch engages the blades. Pull the switch up to engage the blades and push the switch down to disengage the blades.
- 7.6 **Deck Lift Control**—The deck lift switch is used to raise and lower the deck.





SECTION 8: MOVING INOPERABLE MOWER

- 8.1 Do not tow machine. Use a winch to load on a trailer for transporting.
- 8.2 **ATTENTION:** RETURN BYPASS VALVES TO OPERATING POSITION BEFORE RUNNING MOWER FOLLOWING REPAIRS.
- 8.3 Maverick Models are equipped with two neutral engage/disengage arms, located at the rear of the mower protruding from the frame and under the muffler. By pulling the arms out, the mower can be put in a neutral position. Return the arms to the “forward position” for normal operation.
- 8.4 Your Bad Boy Mower Weighs: **MAVERICK SERIES:** **890—950lbs**
**** Weights fluctuate with the addition of accessories.*
- 8.5 As you can see by the weights of the machines, you shouldn't ever try to push or pull a Bad Boy Mower by hand. This could cause serious bodily injury.
- 8.6 Hopefully, you'll never need to use this section of the manual. However, if you do, use extreme caution when moving machine!

SECTION 9: INSTRUMENTATION

- 9.1 **Electronic Hour Meter**—Registers Hour increments up to 9,999.9 total hours. This meter records the cumulative time the engine is running.

SECTION 10: MOWER BLADE MAINTENANCE

- 10.1 Check mower blades after each use. This is essential for maintaining well-groomed turf. Keep the blades sharp. If a dull blade is used for cutting, the grass will tear rather than cut. This could damage the grass leaving a brown frayed top on the grass within a few hours. A dull blade will also require more power from the engine.
- 10.2 NEVER attempt to straighten a bent blade by heating. NEVER attempt to weld a cracked blade. The blades can break and cause serious injury or death.
- 10.3 NEVER work with blades while engine is running or deck clutch is engaged.
- 10.4 ALWAYS place deck clutch in DISENGAGE position while performing maintenance.
- 10.5 Use blocks when you MUST work under mower.
- 10.6 ALWAYS wear thick gloves when handling blades.
- 10.7 ALWAYS check for blade damage if mower strikes rock, branch, or other objects that could potentially damage the blade.

***(REMEMBER: NEVER CHECK BLADE WHILE ENGINE IS ON!
NEVER CHECK BLADES WHILE BLADES ARE ENGAGED!)***

SECTION 11: GREASING THE BEARINGS

- 11.1 Park the machine on a level surface and disengage the blade control switch.
- 11.2 Move the motion control levers outward to the neutral position, engage parking brake, stop the engine, remove the key, and wait for all moving parts to stop before leaving the operating position.
- 11.3 Grease Type: NLGI grade #2 multi-purpose gun grease. Grease the front caster pivots. 11.4 Clean the grease fittings with a cloth. Scrape any paint off the front of the fitting(s).
- 11.5 Connect a grease gun to each fitting. Pump grease in fittings until grease begins to seep out of the bearings. Wipe up excess grease.
- 11.6 Refer to service manual section for grease fitting locations.



HOW TO CHOOSE THE RIGHT BLADE

Essentially there are only TWO basic styles of mowing blades used or approved for use on our current products:

- 1) The standard style of mowing blade is essentially designed for cutting grass and effectively discharging the clippings out from the deck to fall onto the lawn or to be captured in a grass collection system. Standard blades are also referred to as “2-in-1” (discharging & bagging) or “high-lift” blades (because they are designed to create a higher-lifting airflow).
- 2) Mulching blades generally have a more curved style surface and frequently include extra cutting surfaces along the blade edges. These blades may also come in a “+” design (which is actually two individual blades arranged in a perpendicular fashion to enhance mulching). The “+” blades are usually found on older style mowers; newer ones utilize blades with more advanced mulching technology. Mulching blades may also be referred to as “3-in-1” (mulching, discharging & bagging) or “all-purpose” blades.

Bear in mind that the re-circulating airflow design of 3/1 blades makes them less efficient at discharging grass clippings than a standard 2/1 blade. As with most all-purpose tools, there is some give and take as opposed to using a tool designed for a more specific purpose.

If you're experiencing less-than-desired cutting or discharging performance with a 3/1 blade, you may want to check into using a 2/1 blade. Conversely, if you're using a 2/1 blade and want to mulch clippings, you should see about the availability of mulching blades or a mulching kit.*

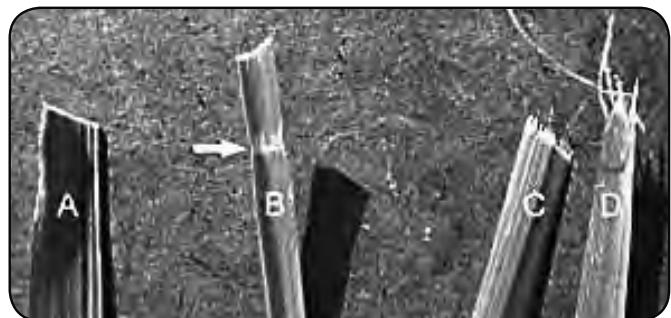
The type of blade installed on a new mower is a decision the retailer makes for each model of mower, based on the expected needs of most customers. If you're unsure of which blade is on a particular model, inspect the blade. Blades have part numbers stamped into them. Then compare these part numbers with the unit's Operator's Manual or Parts List.

It is true there are many other styles of blades available. But since we don't manufacture or recommend using these other aftermarket styles, we will leave them out of this discussion. Should you want more information on special application or aftermarket blades, you should contact the companies that make these products. NOTE: Customers using non-OEM blades do so at their own risk. The use of unapproved (non-OEM) blades may void any or all of the mower and engine factory warranties.

* **MULCHING KITS** – These generally consist of mulching blades and a mulching plug (which closes off the discharge opening to keep the clippings contained under the deck for re-cutting) plus any necessary hardware for installation. Please check with your parts distributor regarding the contents of a particular mulching kit.

MOWING TIPS:

- Mow header strips at the ends of the lawn and around flower beds first. Make them wide enough that you can turn the mower around in the already mown section. Then mow back and forth between these header strips overlapping each lap by about 1/8 the width of the mower's deck.
- Don't cut your grass too short, particular for cool season grasses. Higher heights usually provide for a deeper root system, looks better, and is less likely to have weeds invading, particularly crabgrass.
- Don't remove any more than one third of the grass leaf at any one cutting. If circumstances arise that a lawn gets too tall and you just have to lop off a bunch to get caught up, bite the bullet and break it down into several mowings to get caught up with 3 or so days between cuttings.
- **NEVER SCALP YOUR LAWN.** Scalping severely damages the root system to such a degree that it may die.
- Avoid mowing when the grass is wet or when it's dark
- Avoid throwing grass clippings into the street and driveway where they can be washed into the sewer system. After mowing, clean up driveway and walkways.
- When mowing remove only a third with each cutting (except for the first mowing of the season when it's ok to remove more). You can safely leave clippings that will quickly decompose and add nutrients back into the soil. Contrary to popular opinion, grass clippings do not add to thatch buildup. Grass blades are made up of about 75% water.
- Mow your lawn in a different direction with each mowing, especially with lawns of shorter grass types. Altering the direction ensures a more even cut since grass blades will grow more erect and less likely to develop into a set pattern.
- Keep your mower's blade sharp, which means having it sharpened several times during the mowing season. Keep several blades around so you'll always have a sharp one on hand. Sharp blades cut the grass cleanly and help mulch clippings into small pieces which break down quickly.
- Don't forget to change your mower's oil at least once during the mowing season. For brand new mowers, change the oil after about 5 hours of operation during the initial break-in period.
- At the end of the mowing season use a fuel stabilizer in the remaining gasoline
- In the spring, don't use that old gas unless you properly used a fuel stabilizer, it can cause a number of problems. Better to use fresh gasoline to begin the new mowing season.
- **Leaf blade A** demonstrates what a leaf blade should look like after mowing with a sharp blade.
- **Leaf blade B** demonstrates a leaf blade that was injured by a dull mower blade.
- **Leaf blade C** was cut by the mower but indicates that the mower blade is not sharp enough. The shredded white tissue protruding from the leaf blades C and D is the vascular tissue of the plant.
- **Leaf blade D** has been mown for quite some time with a dull mower blade.



To bag or mulch?

Grass clippings do not contribute to thatch buildup or increase the chances of disease. If you mow your lawn at the right height, without removing any more than 1/3 of it's total height, clippings will quickly breakdown without a trace. These clippings contribute additional nitrogen and other nutrients to the soil and supply it with additional organic materials. Clippings from a 1000 sq. ft. lawn can add as much as 1 - 2 pounds of nitrogen back into the soil.

If you have a compost pile, then you may want to bag your clippings occasionally to add much needed green-matter to the compost pile. Make sure it is mixed thoroughly with brown matter to avoid a strong ammonia odor. **DO NOT COMPOST CLIPPINGS** after applying any weed control or weed-feed type product. Before adding clippings to the compost pile wait at least 3 mowings after these products have been applied.



SERVICE SECTION

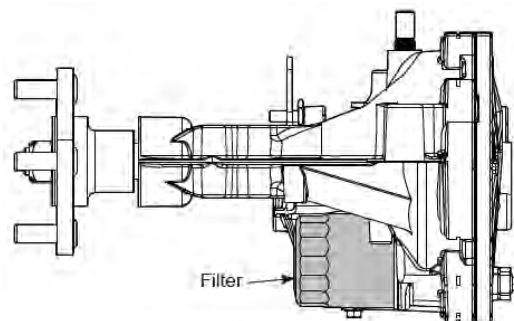
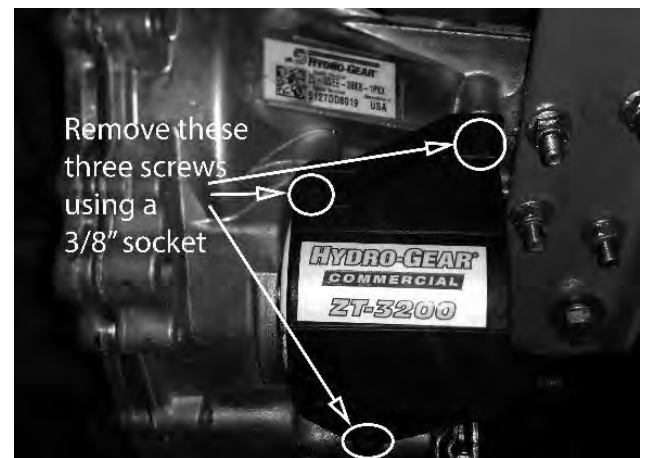
SECTION 1: HYDROSTATIC SYSTEM

The hydraulic fluid reservoirs are located on the sides of the rear cover. Notice the “full cold” line at the bottom of the tank. Use only 20W-50 motor oil in this tank. (Bad Boy Hydrostatic oil is recommended)

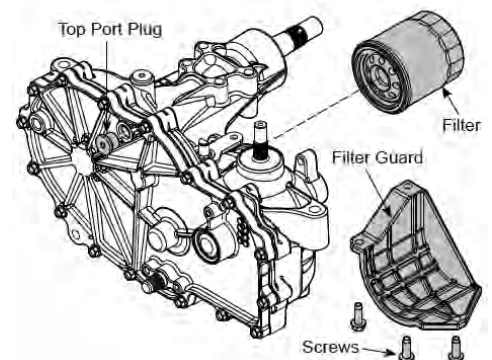


Changing your hydraulic oil and filter

- 1) Remove the tops from the hydraulic fluid reservoirs and get an oil drain pan. Lift the mower from the rear will make access to the transaxles easier and allow you to purge the air from the transaxles.
- 2) Remove the three ¼” filter guard screws and filter guard from the ZT-3200 Transaxle. Clean any loose debris from around the perimeter of the filter.
- 3) Place the oil drain pan under the oil filter as the oil filter serves as the drain as well. Remove the oil filter from the transaxle.
- 4) After the oil has drained, wipe the filter base surface off and apply a film of new oil to the gasket of the new replacement filter.
- 5) Install the new filter by hand, turn ¾ to one full turn after the filter gasket contacts the filter base surface.
- 6) Re-install the filter guard with three ¼” screws. Torque screws to 65 in. lbs. (7.3 Nm) each.
- 7) Repeat steps 1-6 on the opposite side transaxle drive.



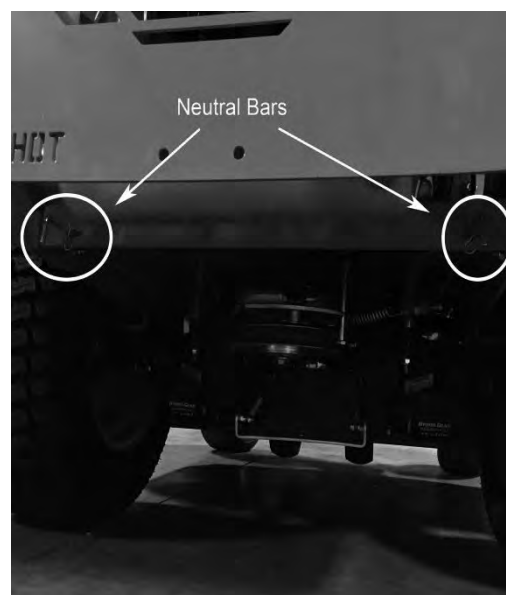
(Guard Removed For Visual Clarity)



- 8) Drain old oil filters of all free flowing oil prior to disposal. Place used oil in appropriate containers and deliver to an approved recycling collection facility.
- 9) Remove the top port plug from the left side and right side transaxles prior to filling with oil. This will allow the transaxles to vent during oil fill and prevent any air lock within the transaxles.
- 10) Fill with 20W-50 motor oil (Bad Boy Hydrostatic oil is recommended) through the hydraulic fluid reservoirs until it just appears at the bottom of each transaxle's top port (approximately 2 quarts per transaxle, 4 quarts total). Install the top port plug into each transaxle as the oil level reaches this port.
- 11) Install and torque the top port plugs to 180 in. lbs. (20.3 Nm).
- 12) Continue to fill the transaxle through the hydraulic fluid reservoirs until the "Full Cold" line is reached on the hydraulic fluid reservoirs.
- 13) Re-install the caps on the hydraulic fluid reservoirs.
- 14) Now we need to purge the air from the transaxle. With your mowers tires off the ground disengage the brake and start the engine.
- 15) Pull the neutral bypass levers which are located on each side of the muffler. Then slowly move the drive arms in the forward and reverse direction 5 to 6 times.
- 16) Push the neutral bypass levers back into place. Move the drive arms forward and backward 5 to 6 times slowly. Check the oil level, and add oil as required after stopping the engine.
- 17) It may be necessary to repeat steps 15 and 16 until all the air is completely purged from the system. When the transaxle operates at normal noise levels and moves smoothly forward and reverse at normal speeds, then the transaxle is considered purged.



Under the rear of the mower, you will find the two levers shown in the image. These bypass levers serve as a neutral for mowing the mower while the engine is not running. Pull the levers out and lock them into place to activate the bypass.





When adjusting the tracking on the mower, the length of the pushrods can be changed by screwing the pivot joint in or out on the ends of the rods. Shortening the overall length of the rod slows the pump down. Lengthening the rod will increase the speed of the pump.

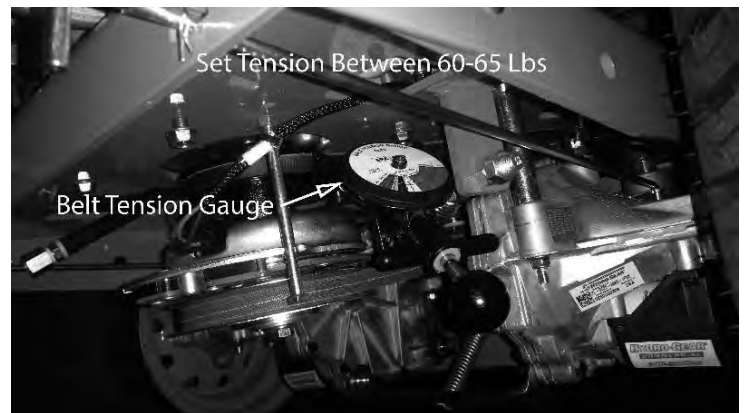


SECTION 2: DRIVE BELT

Shown on the right is the tensioner for your pump belt. Adjusting this will either increase or decrease tension on the belt. Use a $\frac{3}{4}$ " wrench to loosen the jam nuts and either tighten for more belt tension or loosen for less belt tension.

The belt tension should be set between 60-65 lbs.

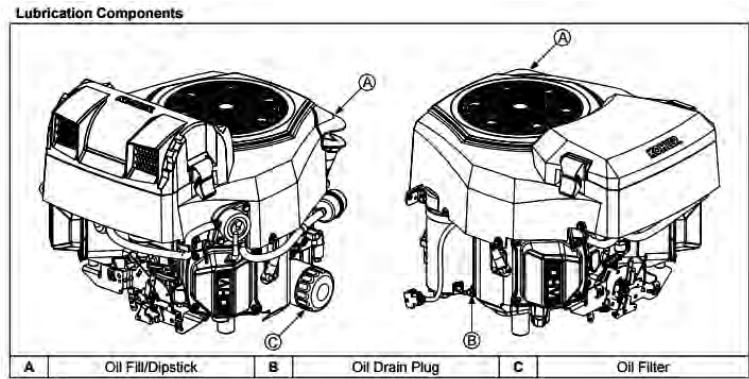
Use a belt tension gauge to ensure the proper tension. Your dealer or service center will have a belt tension gauge or you can buy one (Part Number 041-9999-00).



SECTION 3: ENGINE

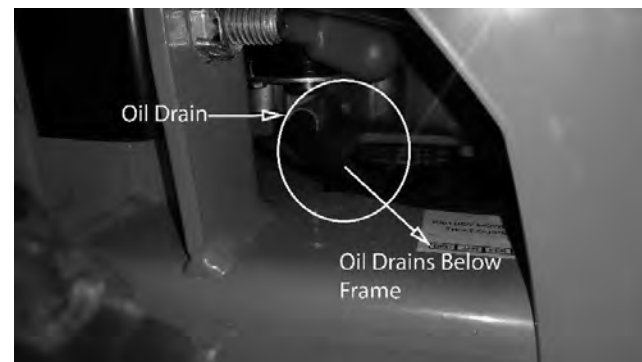
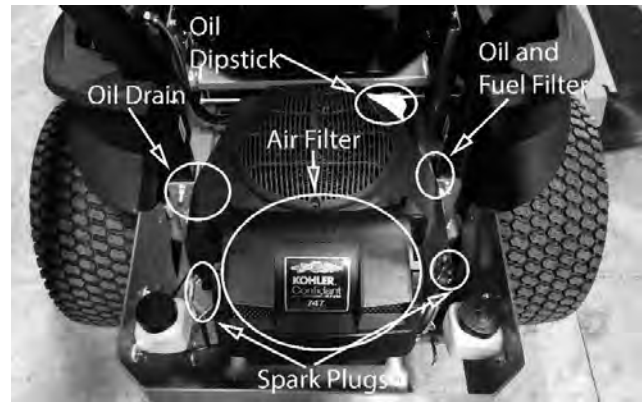
Kohler Confidant

This machine has an oil drain hose installed on the engine to allow for easier oil changes. Bad Boy recommends that the oil and filter be changed at intervals of 50 usage hours or yearly, whichever occurs first. The oil capacity is 2 quarts. Bad Boy 10W-30 synthetic blend engine oil is recommended for maximum protection.



3.1 Changing your engine oil and oil filter

- 1) Remove oil dipstick and open oil drain.
Allow oil to completely drain. (Make sure to have an oil pan ready to capture old oil and properly dispose old oil.)
- 2) The oil filter is located on the right side of the engine. Clean area around oil filter. Place a container under the oil filter to capture any oil and remove filter. Wipe off mounting surface and reinstall drain plug. Torque to 10 ft.*lb.
- 3) Place new filter in shallow pan with open end up. Fill with new oil until oil reaches the bottom of the threads. Allow 2 minutes for oil to be absorbed by filter material.
- 4) Apply a thin film of clean oil to rubber gasket on new filter
- 5) Refer to instructions on oil filter for proper installation.



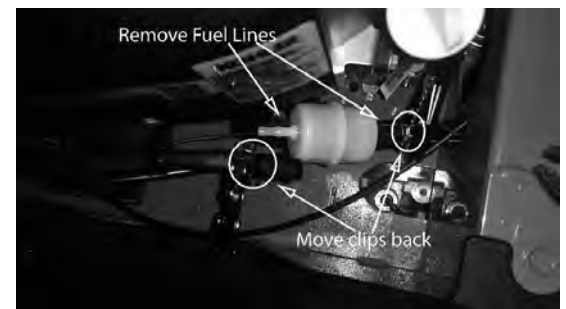
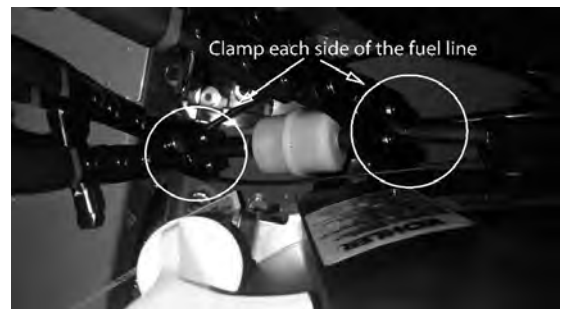
- 6) Fill crankcase with approximately 2 quarts of new oil. Level should top of indicator on dipstick.
- 7) Reinstall oil fill/dipstick and tighten securely.
- 8) Start engine; check for oil leaks. Stop Engine; correct oil leaks. Recheck oil level
- 9) Dispose of used oil and filter in accordance with local ordinances.



The fuel filter is located in the fuel line about 12" from the carburetor on the side of the engine. Replace the filter yearly. Prior to the removal of the old filter, note the direction of fuel flow as indicated on the filter. Have towels readily available in order to quickly remove any fuel leakage. Always use new hose clamps and ensure the security of the new filter by lightly pulling on each hose. Always perform maintenance outdoors or in a well ventilated area. Do not smoke or allow any open flames in the vicinity of any maintenance activities.

3.2 Changing your fuel filter

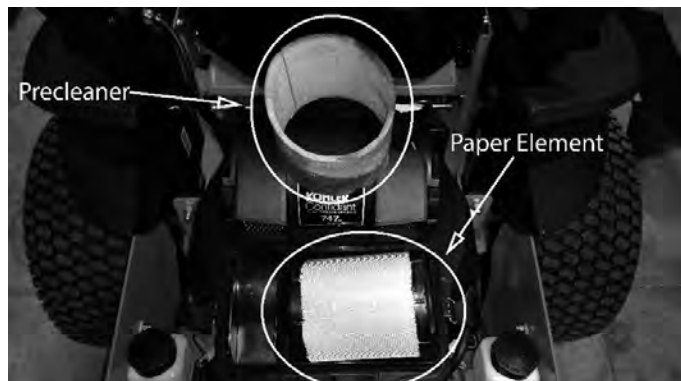
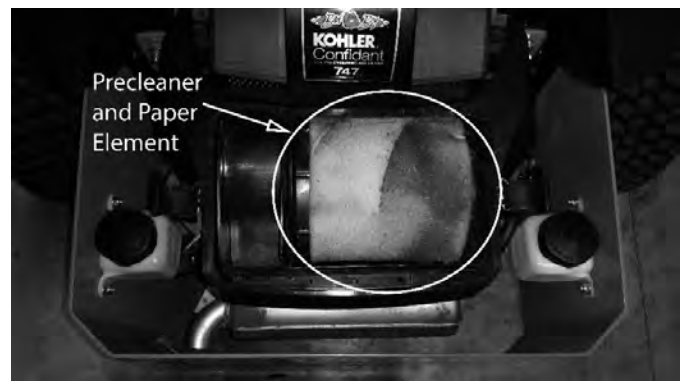
- 1) Locate your fuel filter and mark the direction it is facing.
- 2) Clamp each side of the fuel filter to minimize and gas spills.
- 3) Remove the clips from each side of the fuel filter and remove the fuel filter.
- 4) Place the new fuel filter in the same direction as the old and place clips back into place and remove clamps.



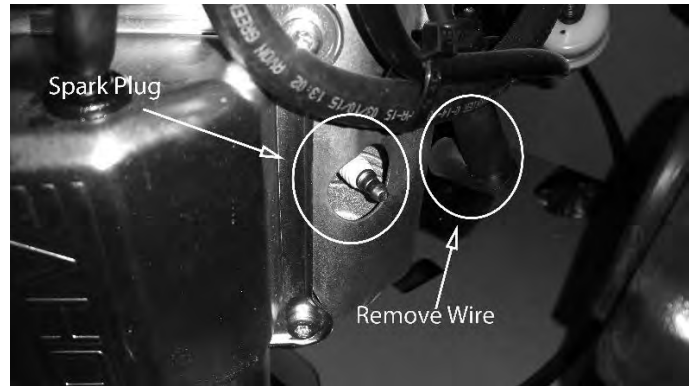
The air cleaner is the engine's only defense against damaging foreign particles. It is very important that the air cleaner element is inspected prior to each use. Remove the element and tap its sides in order to remove debris. Do not blow the filter out using compressed air. Doing so will greatly reduce the air cleaner's effectiveness. Replace yearly; more often in dusty environments. Adhering to these practices will help prevent loss of power and premature engine failure.

3.3 Changing the air cleaner

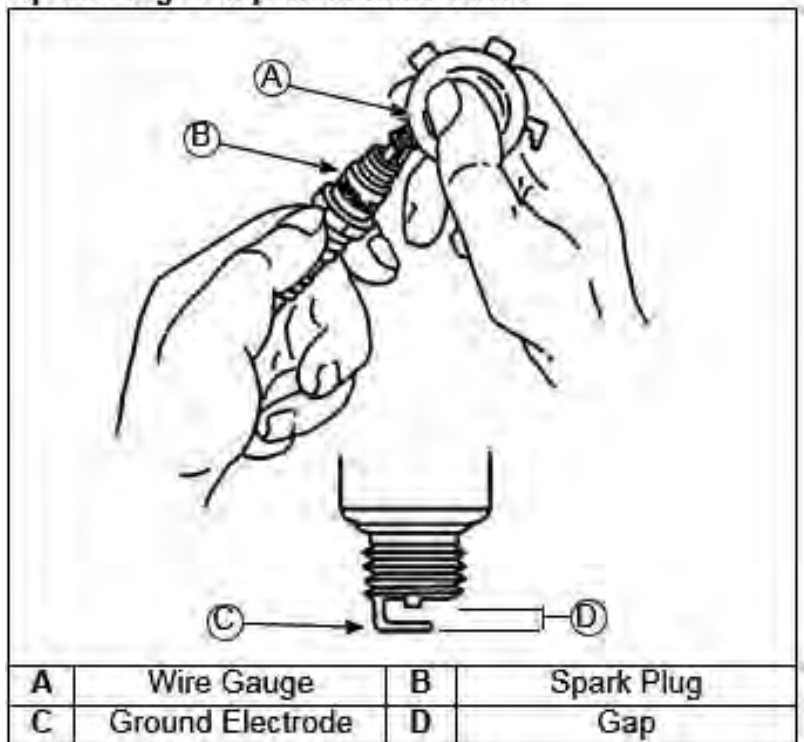
- 1) Unlock the air cleaner cover and remove to access the air cleaner.
- 2) Remove the paper element and precleaner.
- 3) Replace or wash precleaner in warm water with detergent. Rinse and allow to air dry.
- 4) Lightly oil precleaner with new engine oil; squeeze out excess oil.
- 5) Replace paper element and place precleaner onto new paper element.
- 6) Install onto base and place cover back on and lock into place.



- 1) Remove the wire on the spark plug and use a 5/8" socket to remove the spark plug.
- 2) Check the gap on the spark plug to verify that it is 0.03 in using a feeler gauge.
- 3) If the spark plug is worn, overheated, wet or carbon fouled replace the spark plug.
- 4) Install the plug into cylinder head and torque to 20 ft.*lbs. Be careful not to overtighten the spark plug.



Spark Plug Component and Details

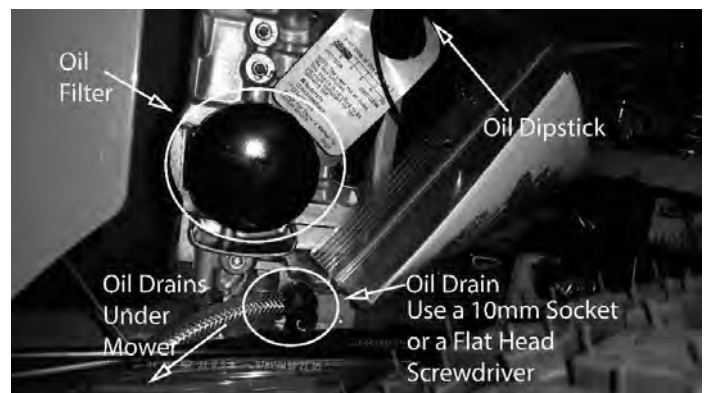
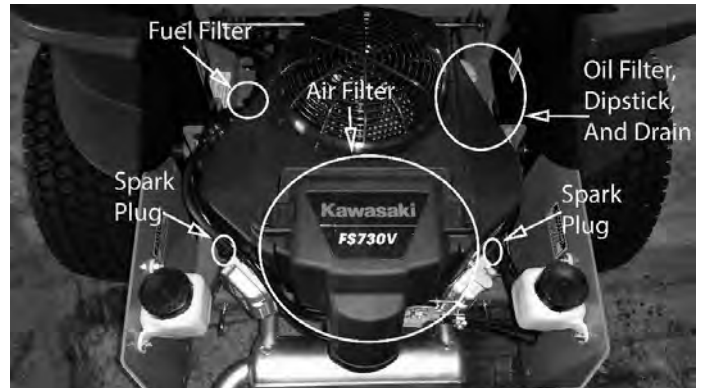


Kawasaki FS730V

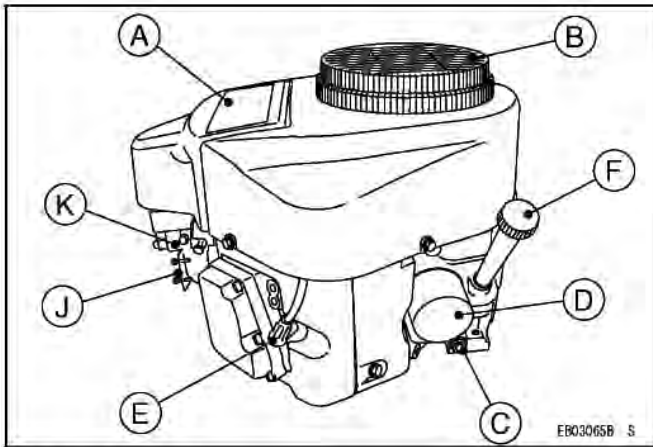
This machine has an oil drain hose installed on the engine to allow for easier oil changes. Bad Boy recommends that the oil and filter be changed at intervals of 50 usage hours or yearly, whichever occurs first. The oil capacity is 2 quarts. Bad Boy 10W-30 synthetic blend engine oil is recommended for maximum protection.

3.1 Changing your engine oil and oil filter

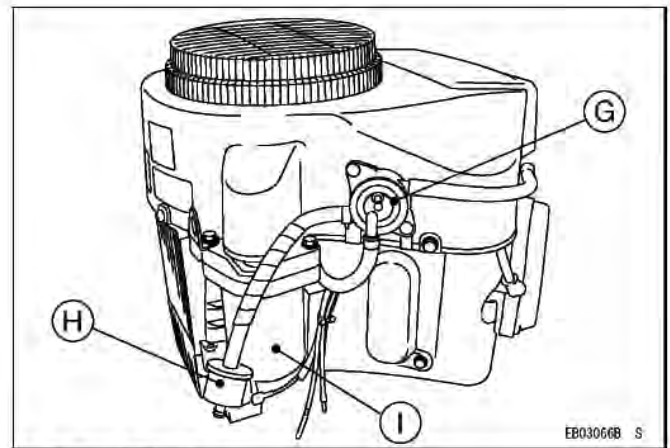
- 1) Remove oil dipstick and open oil drain using a 10 mm socket or a flat head screwdriver until oil begins flowing.
Allow oil to completely drain. (Make sure to have an oil pan ready to capture old oil and properly dispose old oil.)
- 2) The oil filter is located on the right side of the engine. Clean area around oil filter. Place a container under the oil filter to capture any oil and remove filter. Wipe off mounting surface and reinstall drain plug. Torque to 10 ft.*lb.
- 3) Place new filter in shallow pan with open end up. Fill with new oil until oil reaches the bottom of the threads.
Allow 2 minutes for oil to be absorbed by filter material.
- 4) Apply a thin film of clean oil to rubber gasket on new filter
- 5) Refer to instructions on oil filter for proper installation.
- 6) Fill crankcase with approximately 2 quarts of new oil. Level should top of indicator on dipstick.
- 7) Reinstall oil fill/dipstick and tighten securely.
- 8) Start engine; check for oil leaks. Stop Engine; correct oil leaks. Recheck oil level
- 9) Dispose of used oil and filter in accordance with local ordinances.



Parts Location



- A. Air Cleaner
- B. Air Inlet Guard
- C. Oil Drain Plug
- D. Oil Filter
- E. Spark Plugs/Spark Plug Caps
- F. Oil Gauge
- J. Control Panel
- K. Carburetor

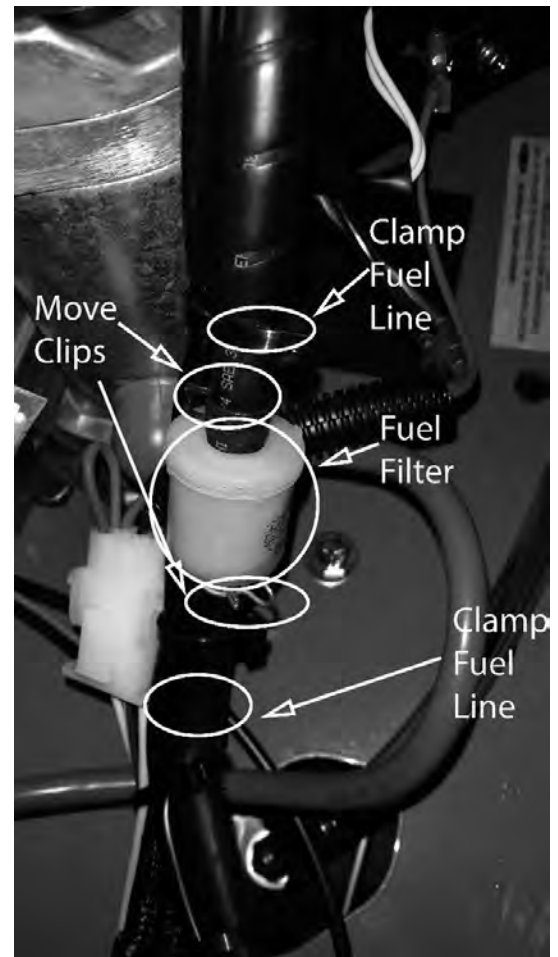


- G. Fuel Pump
- H. Fuel Filter
- I. Electric Starter

The fuel filter is located in the fuel line on the left side of the engine by the starter motor. Replace the filter yearly. Prior to the removal of the old filter, note the direction of fuel flow as indicated on the filter. Have towels readily available in order to quickly remove any fuel leakage. Always use new hose clamps and ensure the security of the new filter by lightly pulling on each hose. Always perform maintenance outdoors or in a well ventilated area. Do not smoke or allow any open flames in the vicinity of any maintenance activities.

3.2 Changing your fuel filter

- 1) Locate your fuel filter and mark the direction it is facing.
- 2) Clamp each side of the fuel filter to minimize and gas spills.
- 3) Remove the clips from each side of the fuel filter and remove the fuel filter.
- 4) Place the new fuel filter in the same direction as the old and place clips back into place and remove clamps.

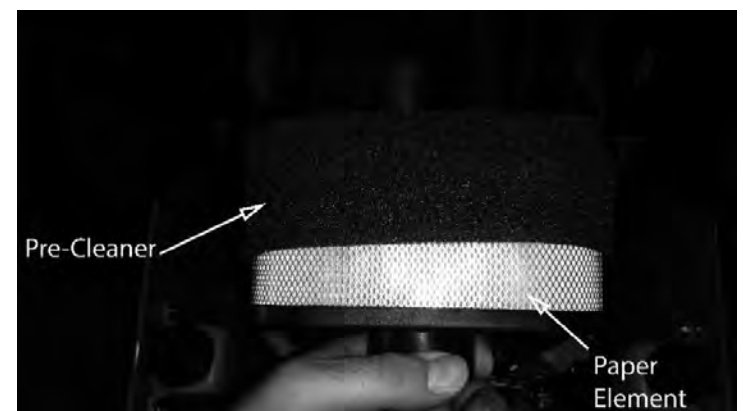
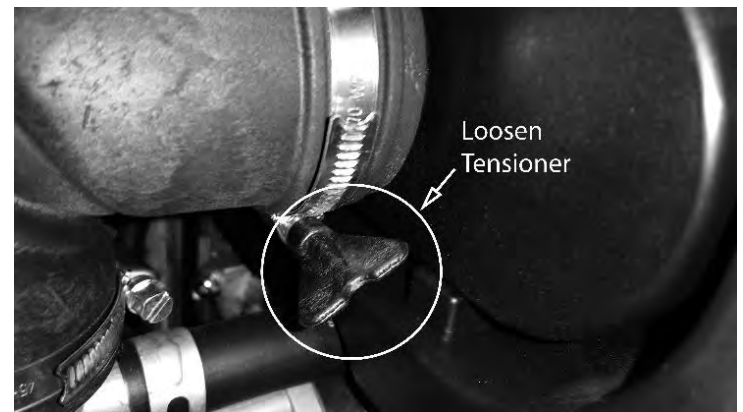


The air cleaner is the engine's only defense against damaging foreign particles. It is very important that the air cleaner element is inspected prior to each use. Remove the element and tap its sides in order to remove debris. Do not blow the filter out using compressed air. Doing so will greatly reduce the air cleaner's effectiveness. Replace yearly; more often in dusty environments. Adhering to these practices will help prevent loss of power and premature engine failure.



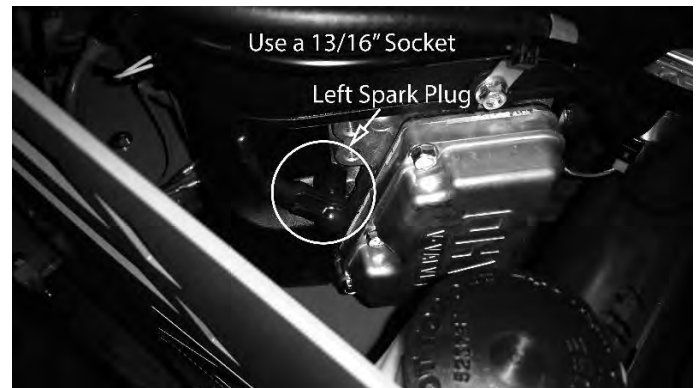
3.3 Changing the air cleaner

- 1) Unlock the air cleaner cover and remove to access the air cleaner.
- 2) Remove the paper element and precleaner.
- 3) Replace or wash precleaner in warm water with detergent. Rinse and allow to air dry.
- 4) Lightly oil precleaner with new engine oil; squeeze out excess oil.
- 5) Replace paper element and place precleaner onto new paper element.
- 6) Install onto base and place cover back on and lock into place.

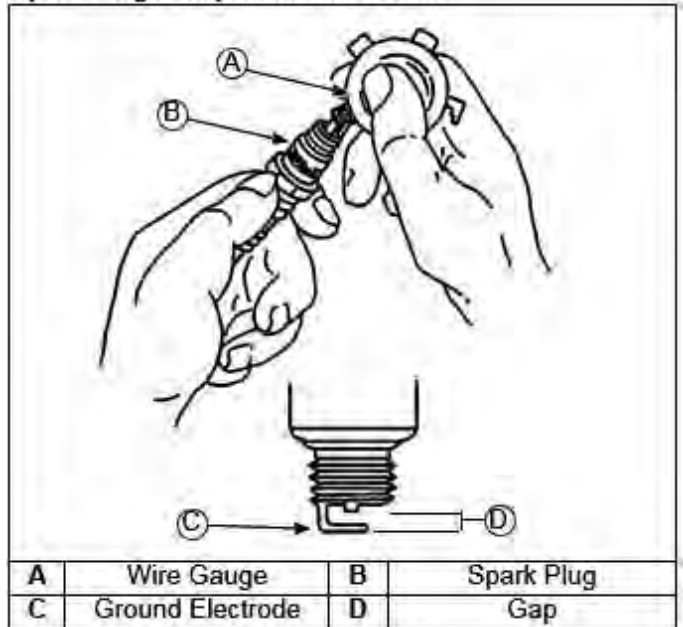


3.4 Changing the spark plugs and checking the spark plug gap:

- 1) Remove the wire on the spark plug and use a 13/16" socket to remove the spark plug.
- 2) Check the gap on the spark plug to verify that it is 0.03 in using a feeler gauge.
- 3) If the spark plug is worn, overheated, wet or carbon fouled replace the spark plug.
- 4) Install the plug into cylinder head and torque to 16 ft.*lbs. Be careful not to overtighten the spark plug.



Spark Plug Component and Details



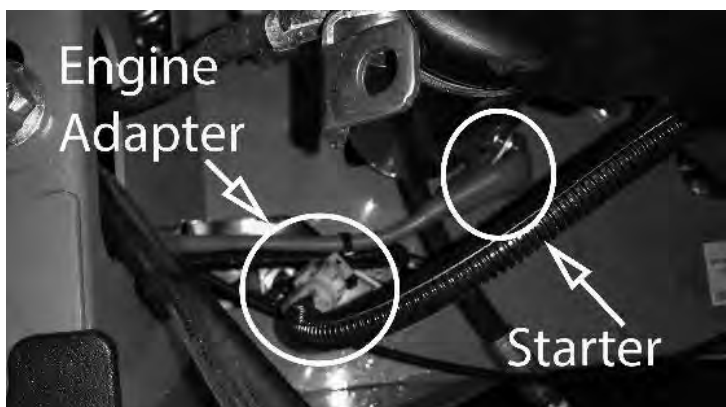
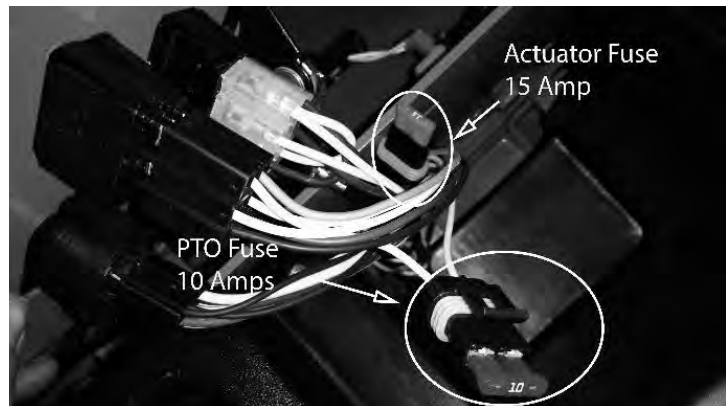
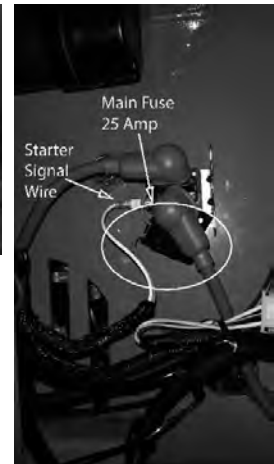
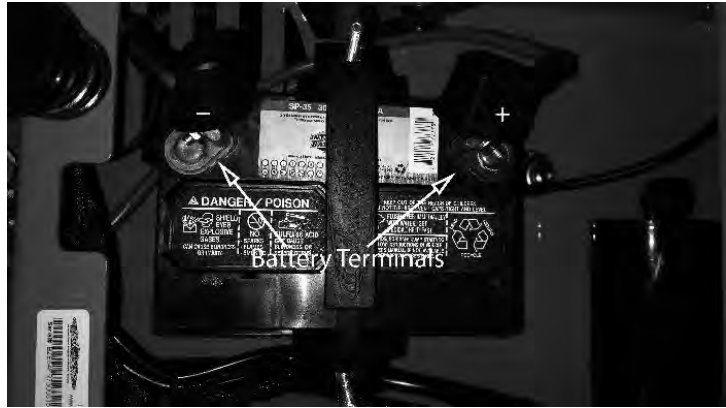
SECTION 4: ELECTRICAL SYSTEM

This mower is equipped with three protective fuses: a 25 amp main fuse (pictured to the right), a 10amp clutch fuse (blade engagement) and a 15 amp linear actuator fuse (deck lift). The main fuse is located on the left side of the unit; by the starter solenoid. The clutch fuse is located just underneath the control panel along with the linear actuator fuse. You will need to remove the four screws that hold the control panel to the tank using a 3mm or a 1/8" hex wrench.

A blown fuse usually indicates a problem within the electrical system or an electrical component. Ensure the battery terminals are tightly fastened. Never replace a fuse with one of a higher amperage rating or 'bypass' a fuse in any way. Doing so creates a significant fire hazard and can cause severe damage to the mower's electrical components. If a fuse is repeatedly blowing, contact your Bad Boy dealer.

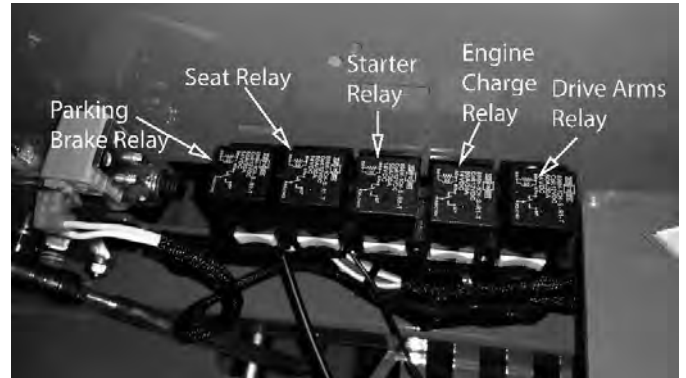
On most models, the red wire coming out of the engine is the charging wire from the alternator. Check for 13.6 - 14.2 volts dc at this wire with engine at full throttle.

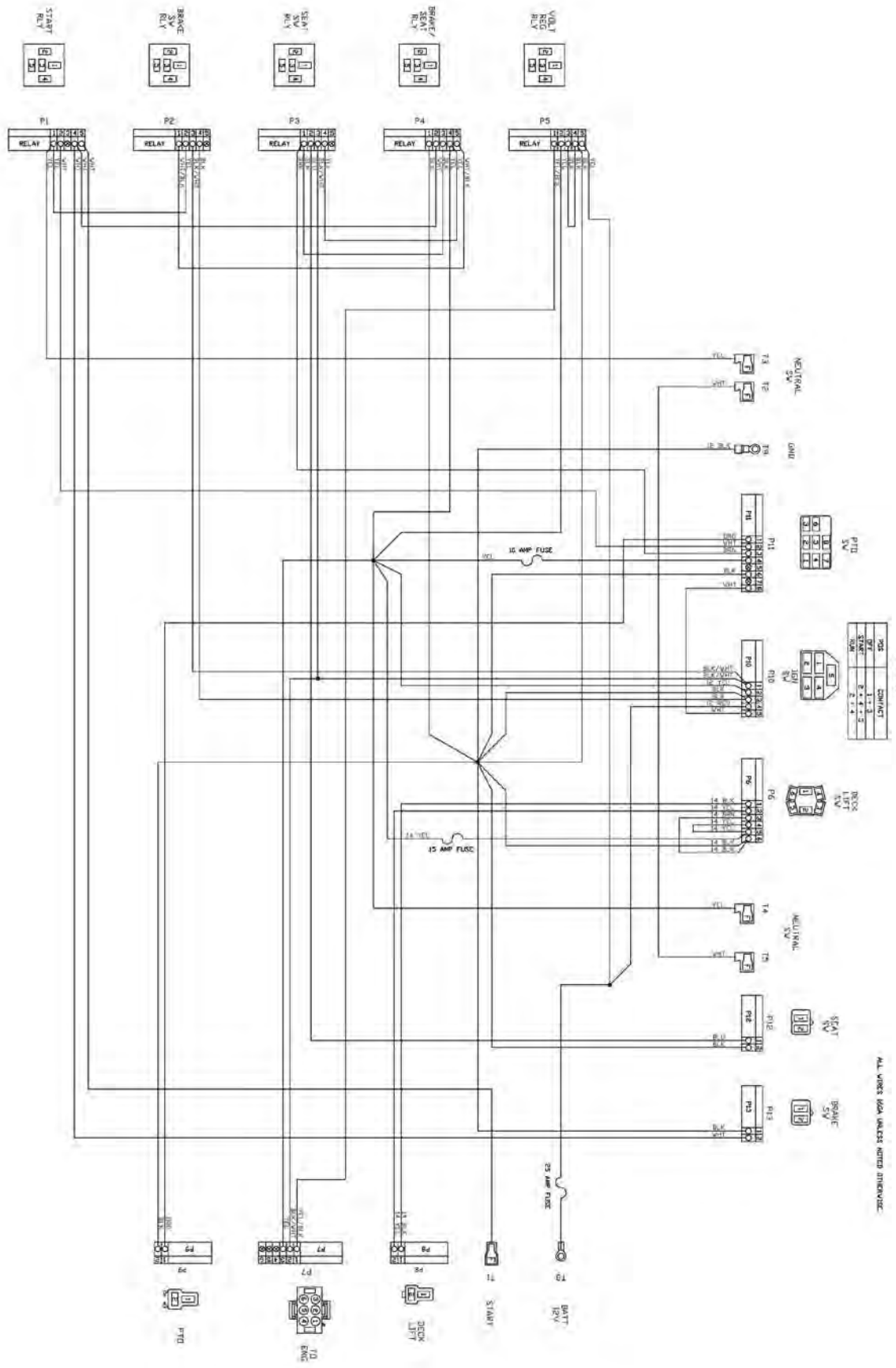
If you are having issues starting your mower ensure the signal wire is connected to your starter solenoid.



Check the condition and connection of the relays located under the control panel. Ensure that they are clean and connected. Make sure that wire terminal ends have not been pushed out of the relay block.

The linear actuator is the mechanism that raises and lowers the deck. If it ever starts to make noise when raising and lowering the deck you might find it necessary to tighten the nuts and bolts on the front and rear of the actuator. Be careful not to overtighten these as you can damage the actuator. Also if your actuator ever stops working make sure to check the fuse under the control panel as shown on the previous page.



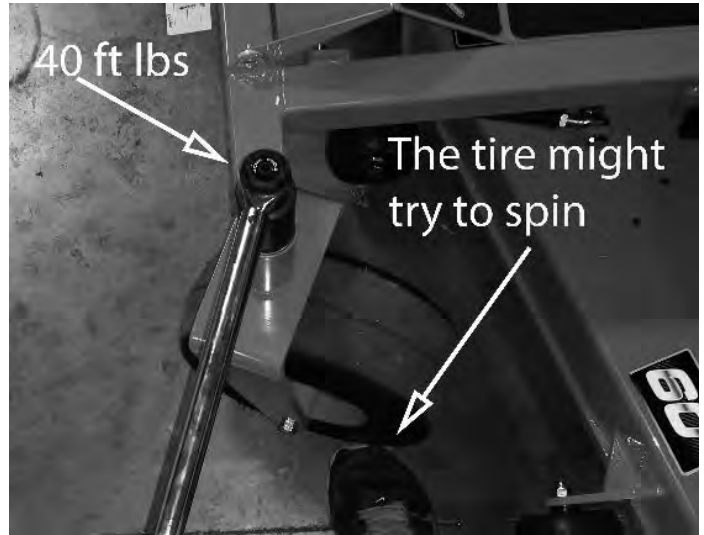


ALL WIRING MUST BE DONE ACCORDING TO THE WIRING DIAGRAM.



SECTION 5: FRAME

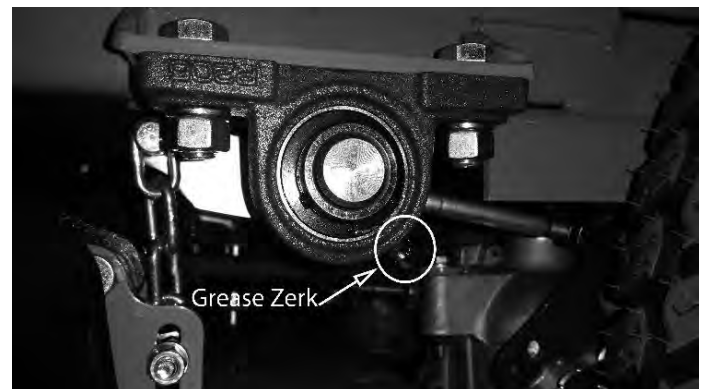
The front fork nuts require a torque of 40ft-lbs. While applying this torque, turn the fork itself to ensure no damage is done to the bearing. This operation is only necessary if a repair requires it.



Torque rear wheel lugs to 65-75 ft. lbs. Re-torque at every oil change and check at every mowing.



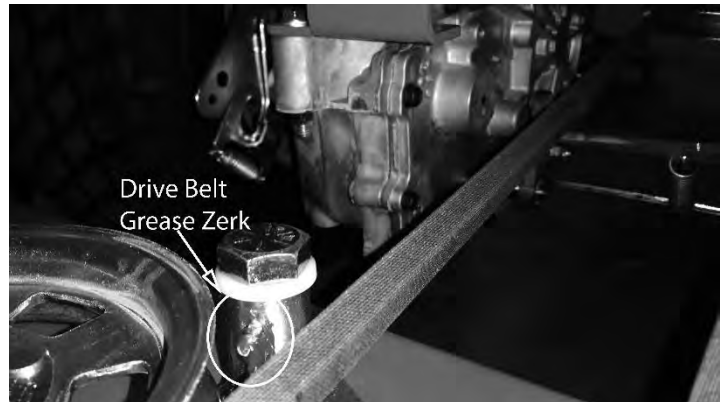
There is one grease fitting on each of the actuator bar pillow blocks located under the fuel tanks. Grease at every oil change.



The pump belt tensioner is located under the engine and has a grease fitting at its pivot point. Grease at every engine oil change.



The deck belt tensioner is located at the rear of the deck and has a grease fitting on its pivot point. Grease at every engine oil change.



The control arm blocks have grease fittings located on the top of each block. Grease one time a year.





SECTION 6: CUTTING DECK

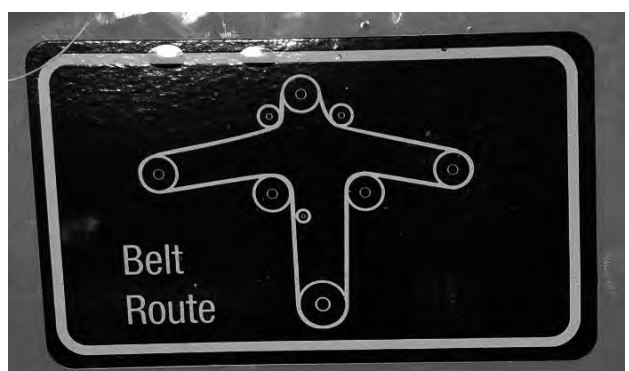
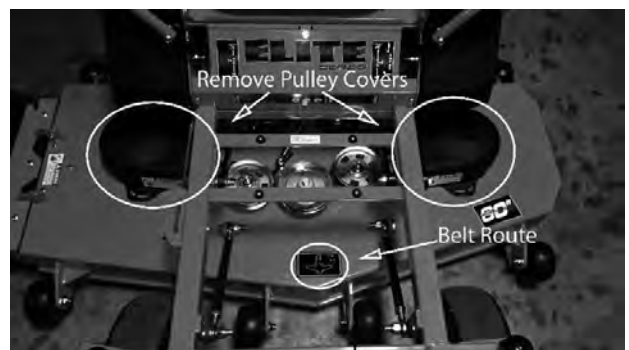
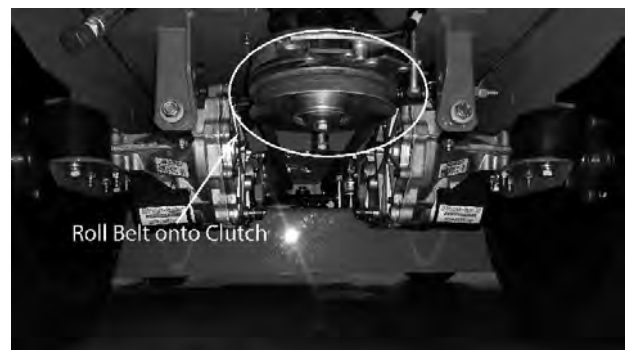
Deck belt removal

- 1) Remove ignition key.
- 2) Raise the deck to its highest position.
- 3) Remove either the right pulley cover.
- 4) While lifting up on the belt (as shown in the photograph), rotate the pulley until the belt is free of the pulley. Exercise caution while performing this step as fingers can easily become caught between the belt and pulley.



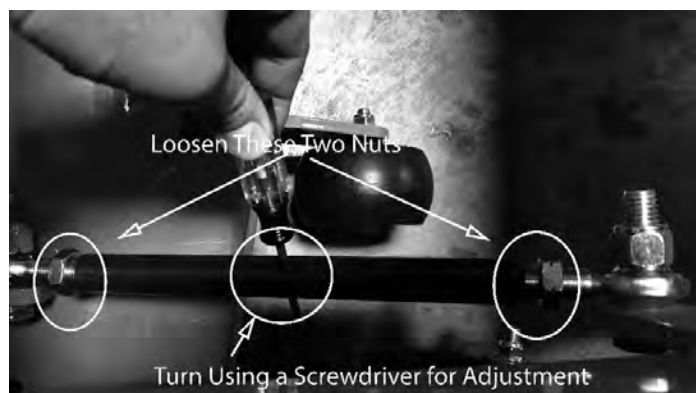
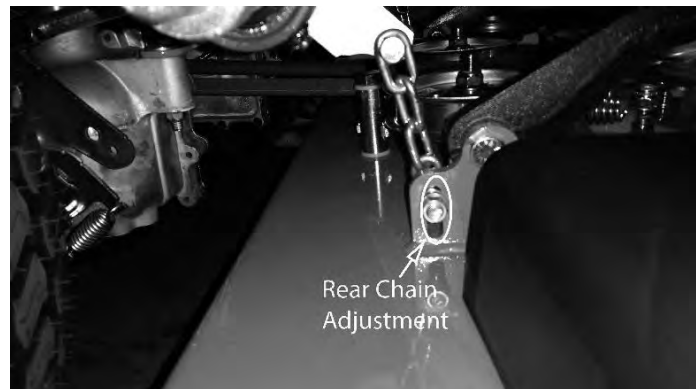
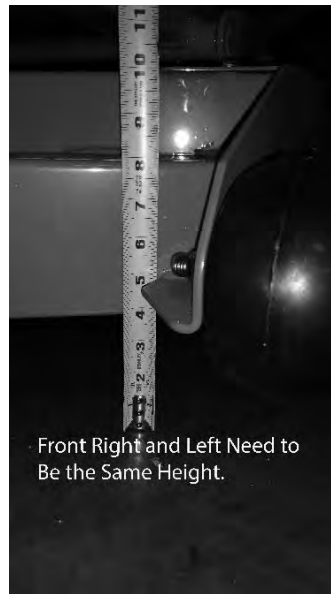
Deck belt installation:

- 1) Follow steps 1 and 2 from the deck removal section.
- 2) Take off both pulley covers and route the belt by following the belt route sticker.
- 3) The easiest way to finish running the belt is routing the belt through the deck pulleys and carefully slipping the belt onto the clutch in the rear of the engine.
- 4) Verify that the belt is routed properly as improper routing can damage the spindles as well as the engine.



Leveling the Deck

- 1) Start on a flat level surface and set the air pressure in all four tires to 12 psi.
- 2) Raise the deck up, and measure all four corners of the deck to see if it is level from left to right and front to back. All decks should be level from left to right and have a 1/8" pitch down in the front.
- 3) Adjusting the chains in the rear of the deck will allow leveling from left to right.
- 4) Adjust the turn buckles in the front of the deck to adjust the pitch up and down.
- 5) In order to use the turn buckles you must first use a 15/16" wrench and loosen the nuts on each side. Use a screwdriver in the middle hole on the turn buckle to spin the unit up and down to adjust the pitch and leveling.





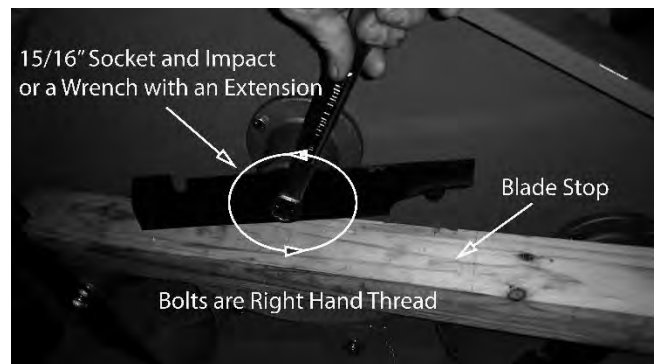
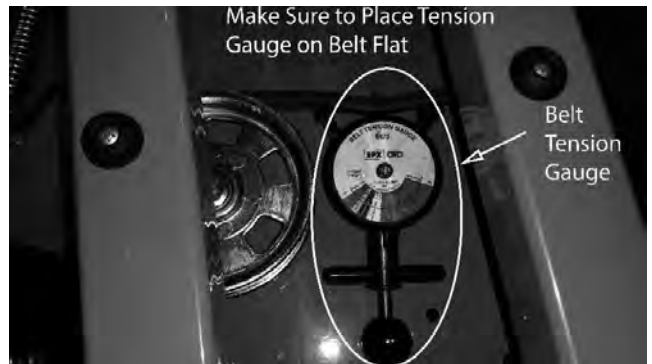
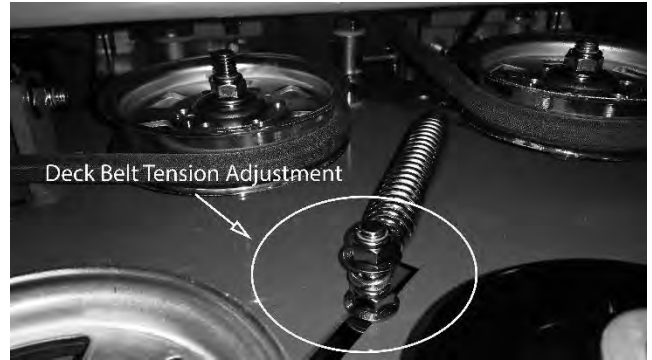
The deck spring tension is critical. If the tension is too high, premature failure of the deck belt and blade spindles can occur. If the tension is too low, the belt can 'jump off' or slip on the pulleys. This results in reduced cut quality and early belt failure.

Spring tension adjustments can be made by sliding the bolt shown above forward or backward in the slot of the deck. Belt tension should be 60-65 lbs. for the 48" and 54" decks and 65-70 lbs. for the 60" deck, with the deck at its lowest setting.

Use a belt tension gauge to ensure the proper tension. Your dealer or service center will have a belt tension gauge or you can buy one (Part Number 041-9999-00).

Blade Sharpening:

The blade in the foreground (see photo) was utilized long after replacement was required. In addition to a decline in cut quality, failure to replace a worn or damaged blade creates a major safety hazard. Bad Boy recommends that blade sharpening be performed by a professional.



Blade Removal:

To change blades, it may be easier to use a piece of wood to keep the blade from turning so that the bolt can be loosened. Use a 15/16" socket and impact Drill, or a wrench and an extension to gain more leverage. You might need to put a 3/4" wrench on top of the pulley bolt to keep the blade from spinning. **Bolts used have right-handed threads.**

Re-torque the blade bolts to 90-110 lbs.

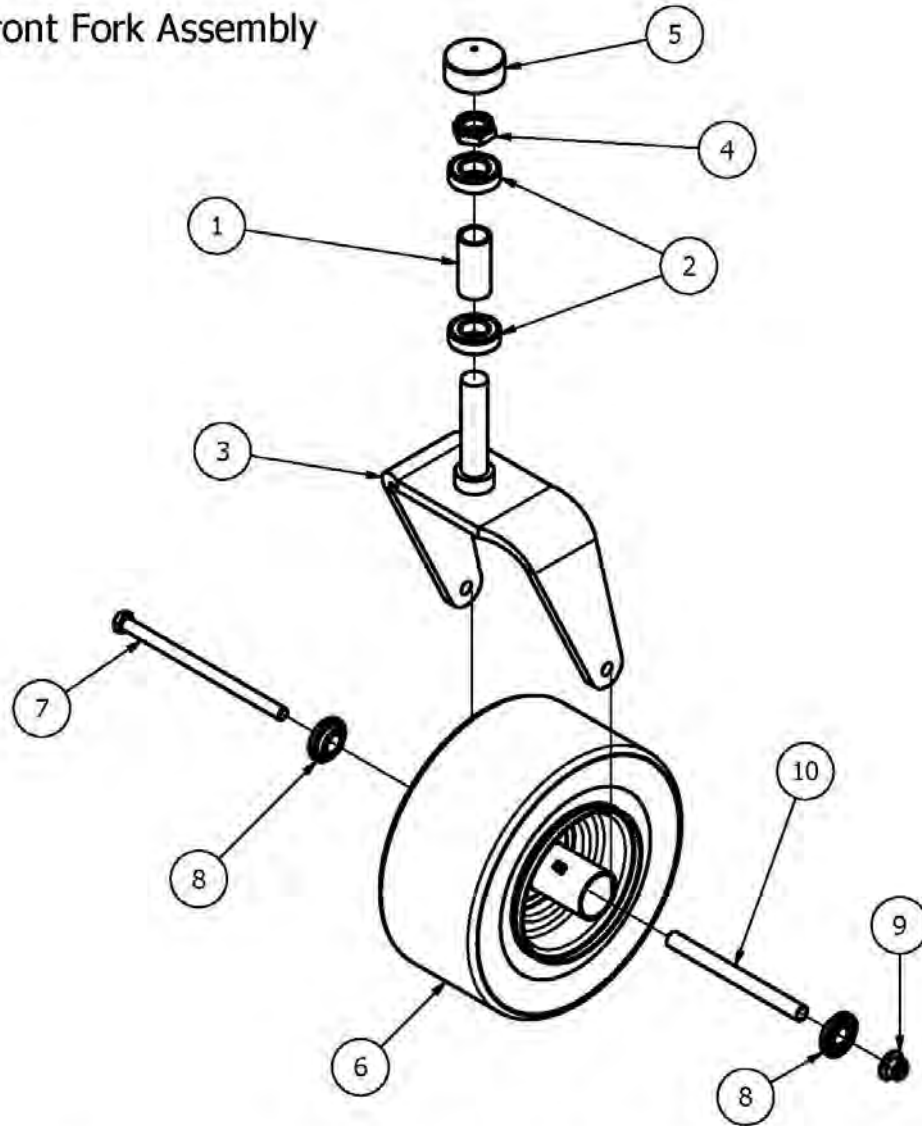
The blade spindles contain a sealed ball bearing inside the top and bottom of the spindle. The bearings are replaceable for a more cost effective repair.



PARTS SECTION

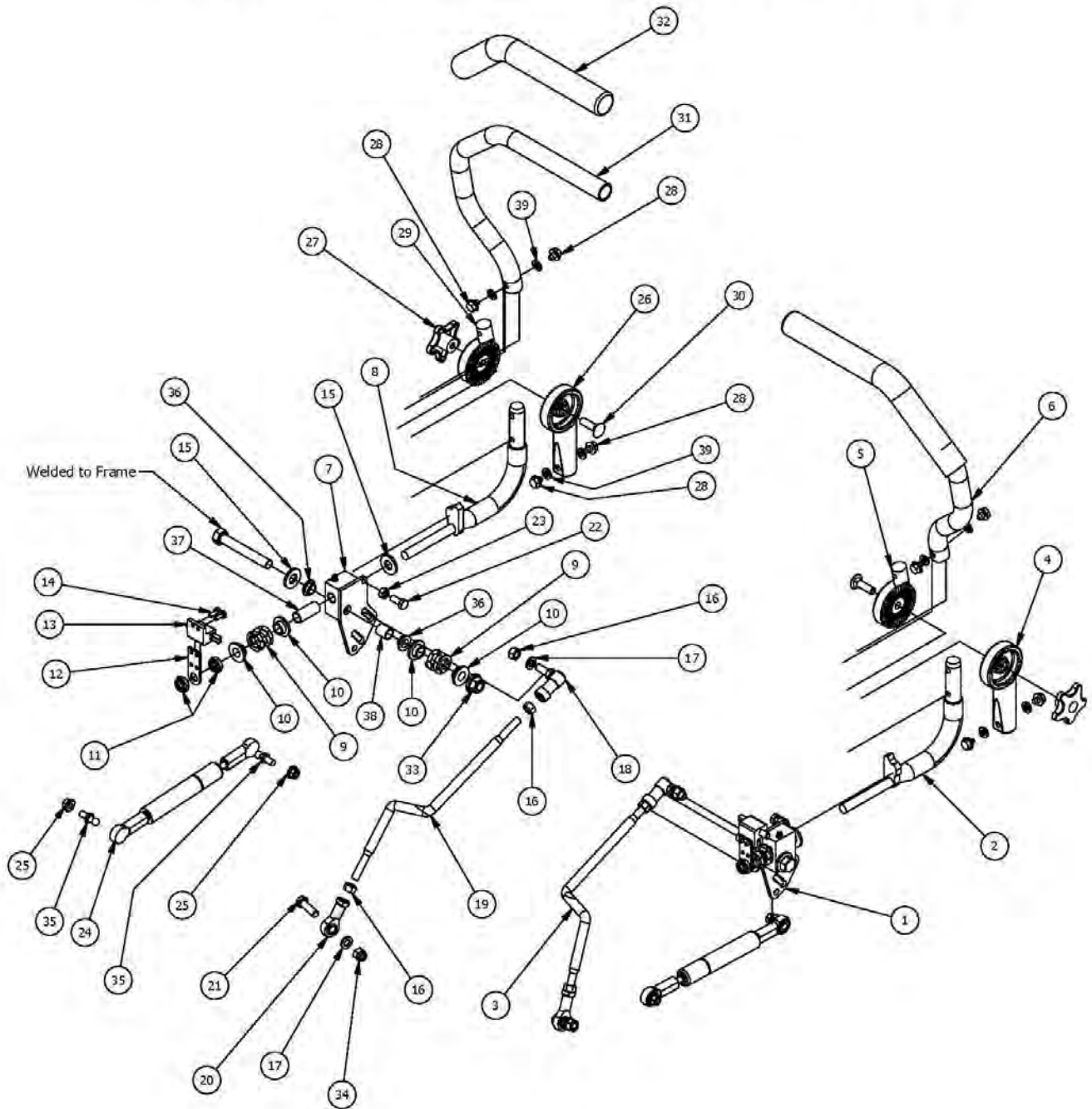


Front Fork Assembly



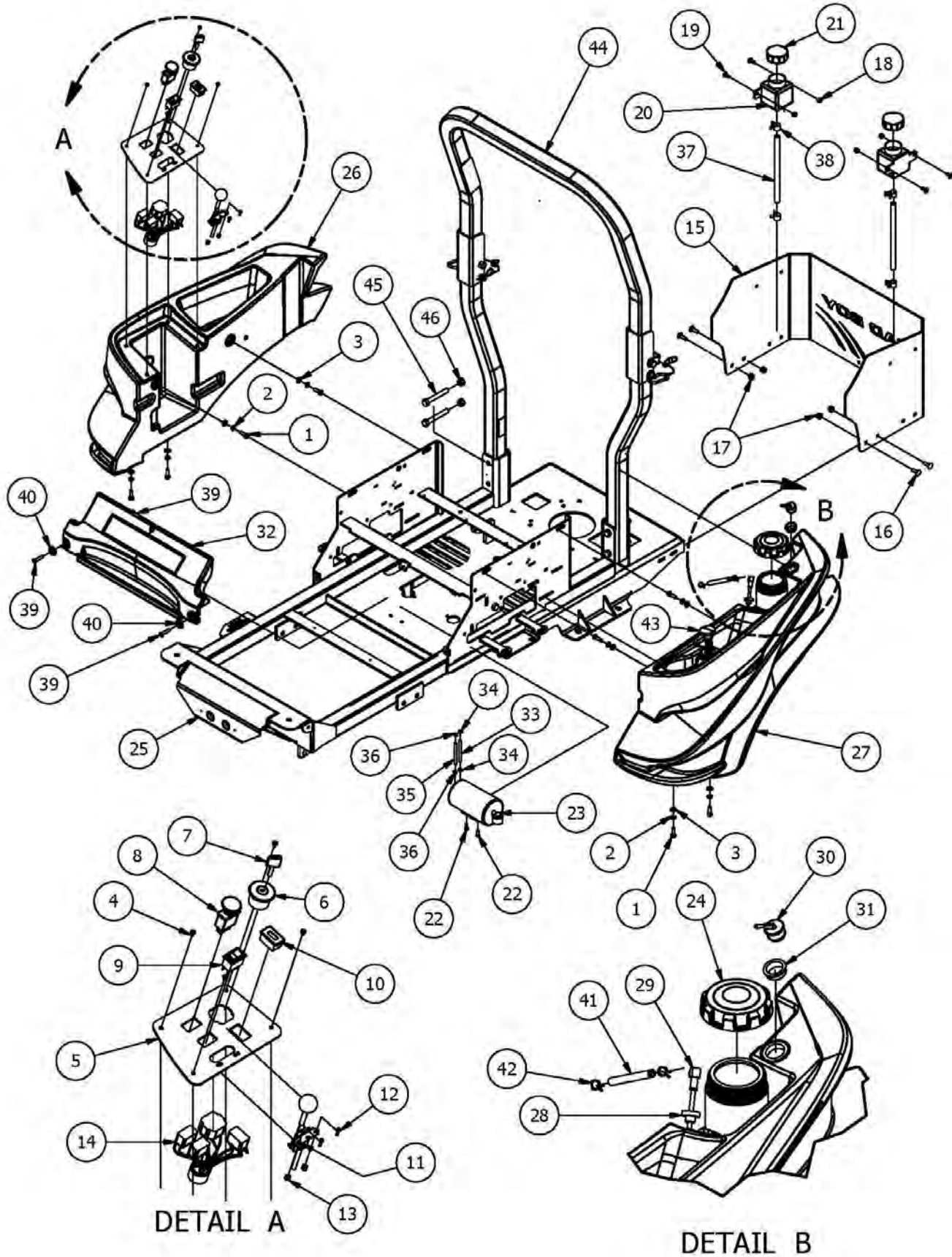
Parts List			
ITEM	QTY	PART NUMBER	DESCRIPTION
1	1	025-0003-00	2016 Front Bearing Spacer
2	2	010-1050-00	Caster Bearing 2016 - 1641 Bearing
3	1	023-7913-00	Front Fork
4	1	013-9004-00	1" Fine Thread 1/2 Nylock Nut
5	1	014-2050-00	Rubber Bearing Cap
6	1	022-2017-00	Tire and Wheel Assembly
7	1	018-7010-00	1/2" x 9" GR 5 Hex Bolt
8	2	022-7009-00	1 3/8" Wheel Bearing
9	1	013-8050-00	1/2-13 Nylon Flange Nut
10	1	025-5202-00	Front Wheel Spanner

Adjustable Drive Arm Assemblies



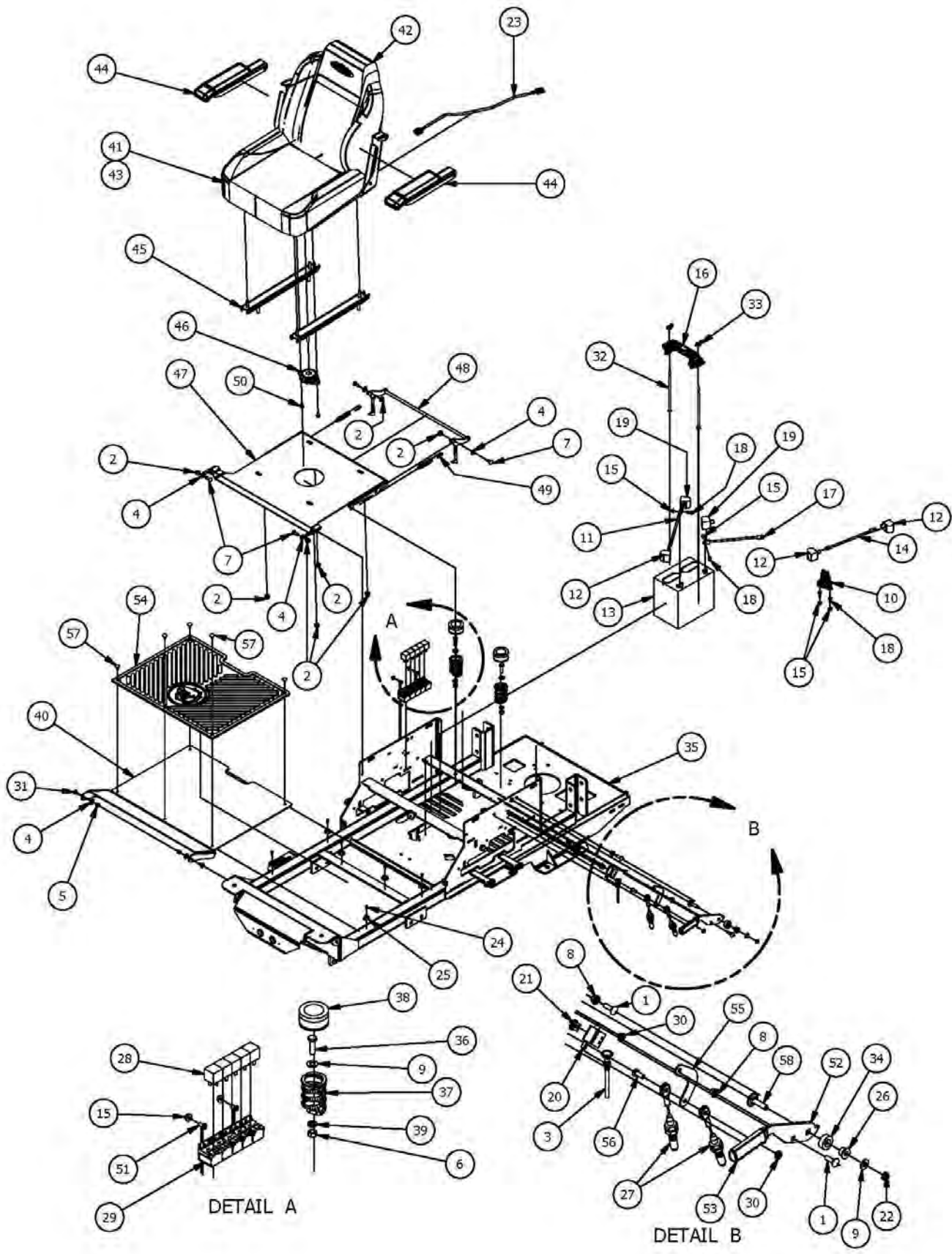


Adjustable Drive Arm Assemblies			
ITEM	QTY	PART NUMBER	DESCRIPTION
1	1	027-8901-00	2013 Drive Lever Housing (Right)
2	1	031-9025-00	Steering Arm Elbow - Right
3	1	035-5450-00	Push Rod - Right
4	1	031-9015-00	Lower Adjuster - Steering Arm- Right
5	1	031-9016-00	Upper Adjust Steering Arm- Right
6	1	031-9010-00	Upper Tube-Adjustable Steering
7	1	027-8900-00	2013 Drive Lever Housing (Left)
8	1	031-9020-00	Steering Arm Elbow - Left
9	2	034-8025-00	Drive Lever Spring
10	4	019-8027-00	.515 ID Nylon Shoulder Washer
11	2	018-4010-00	1/2" Nylock Nut (1/2 Jam)
12	1	039-1125-00	M2 Switch Bracket
13	1	077-8073-00	Safety Switch
14	2	018-1080-00	1.2-24x 1/2 HWH Bolt
15	2	019-8054-00	.505 Nylon Spacer
16	3	013-6051-00	3/8" Fine Threaded Jam Nut
17	2	019-5037-00	3/8" Lock Washer
18	1	099-2009-00	3/8-24 Quick Release Ball Joint
19	1	035-5451-00	Push Rod - Left
20	1	048-3000-00	Spherical Rod End - Outlaw
21	1	018-5040-00	3/8" x 1 1/4" Hex Bolt
22	1	018-8063-00	5/16" x 3/4" Hex Bolt
23	1	013-8043-00	5/16" Nut
24	1	087-3000-00	Steering Damper
25	2	013-9002-00	5/16" Flange Nut
26	1	031-9014-00	Lower Adjuster - Steering Arm- Left
27	1	045-5000-00	Black Knob for Adjustable Steering Arm
28	4	018-2020-00	5/16-18 1/2 HWH Bolt-Steering
29	1	031-9017-00	Upper Adjuster-Steering Arm- Left
30	1	018-5043-00	3/8" x 1 1/4" Carriage Bolt
31	1	031-9010-00	Upper Tube-Adjustable Steering
32	1	069-4010-00	Black Steering Grip
33	1	013-0010-00	1/2-13 Mechanical Lock Nut Grade F
34	1	013-5041-00	3/8 Nylock Nut
35	2	018-2050-00	10mm Damper Ball Stud-Steering
36	2	032-5000-00	1/2" Oil Impregnated Bushing
37	1	032-1020-00	Drive Arm Block Insert-long
38	1	032-1010-00	Drive Arm Block Insert-short
39	4	019-8051-00	5/16" Lock Washer



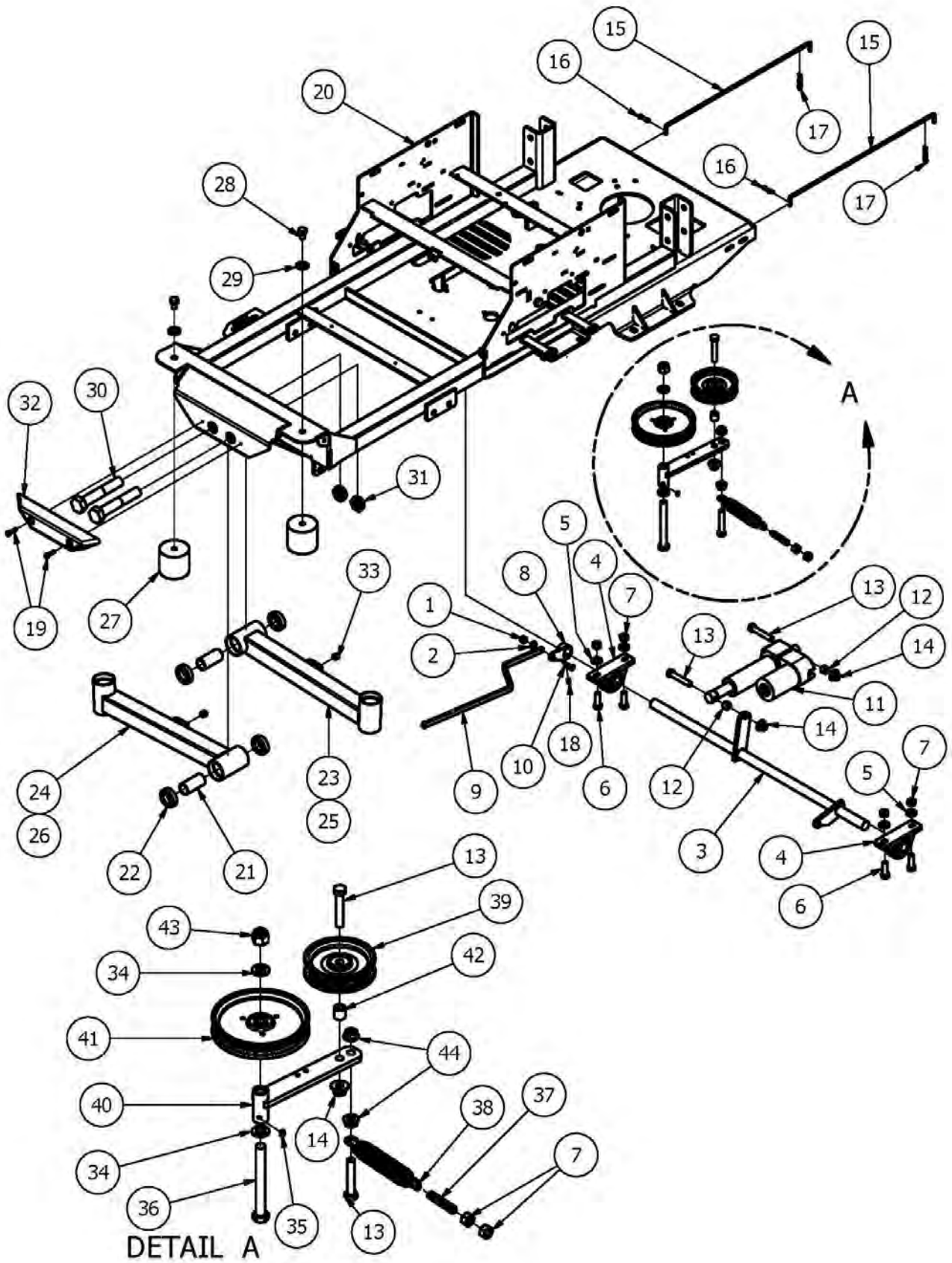


Parts List			
ITEM	QTY	PART NUMBER	DESCRIPTION
1	8	018-2007-00	5/16" x 1" Bolt
2	8	019-8051-00	5/16" Lock Washer
3	8	019-8044-00	5/16" Flat Washer
4	4	018-2010-00	10-32 x 3/8" Button Socket Head Bolt
5	1	079-3460-00	Control Panel
6	1	077-8076-00	Ignition Switch
7	1	042-9000-00	Ignition Key
8	1	056-8058-00	PTO Engager
9	1	078-3000-00	Rocker Deck Lift Switch - 2011
10	1	083-4013-00	Tachometer
11	1	055-8020-00	Throttle Lever Assembly
12	2	018-5200-00	10-24 X 5/8 BS Button Head Bolt
13	2	013-5019-00	10-24 Nylon Insert Locknut
14	1	086-3050-00	Wire Harness
15	1	026-0075-00	Maveric Rear Cover
16	4	018-8065-00	5/16" x 1" Carriage Bolt
17	4	013-8049-00	5/16-18 Nylon Flange Nut
18	4	013-8073-00	1/4" Nylock Nut
19	4	019-8040-00	1/4" x 3/4" Carriage Bolt
20	2	067-8090-00	350ml Expansion Tank
21	2	066-5050-00	Hydraulic Tank Cap
22	2	018-0024-00	M6-1.0 X 16MM Hex Bolt
23	1	067-0020-00	Carbon Canister
24	1	066-8083-00	Fuel Cap
25	1	070-5490-00	2016 Maverick Frame
26	1	067-2050-50	Right Fuel Tank
27	1	067-2060-50	Left Fuel Tank
28	1	067-6080-00	Pick-Up Grommet
29	1	067-0011-00	Pick-Up
30	1	067-6070-00	Rollover Valve
31	1	067-6070-00	Rollover Valve Grommet
32	1	014-2070-50	Front Cover
33	1	051-8072-00	1/4" Vinyl Tubing
34	2	072-8072-00	1/4" Hose Clamp
35	1	051-8073-00	3/16 Vinyl Tubing
36	2	072-8073-00	3/16" Vinyl Hose Clamp
37	2	051-8063-00	3/8" Clear Hose
38	4	072-8065-00	3/8" Hose Clamp
39	3	018-0031-00	5/16-18x1.5 torx cutter -Black
40	2	013-0013-00	1/2" Flat Washer Flat Black
41	1	051-8067-00	1/4" Fuel Line Hose
42	2	072-8069-00	1/4 Fuel Hose Clamp
43	1	067-4080-00	Fuel Gauge w/Grommet
44	1	089-0005-00	2016 ROPS
45	4	018-6054-00	1/2-13 x 3 1/2 GR 5 Hex Bolt
46	4	013-0005-00	1/2" Center Lock Nut





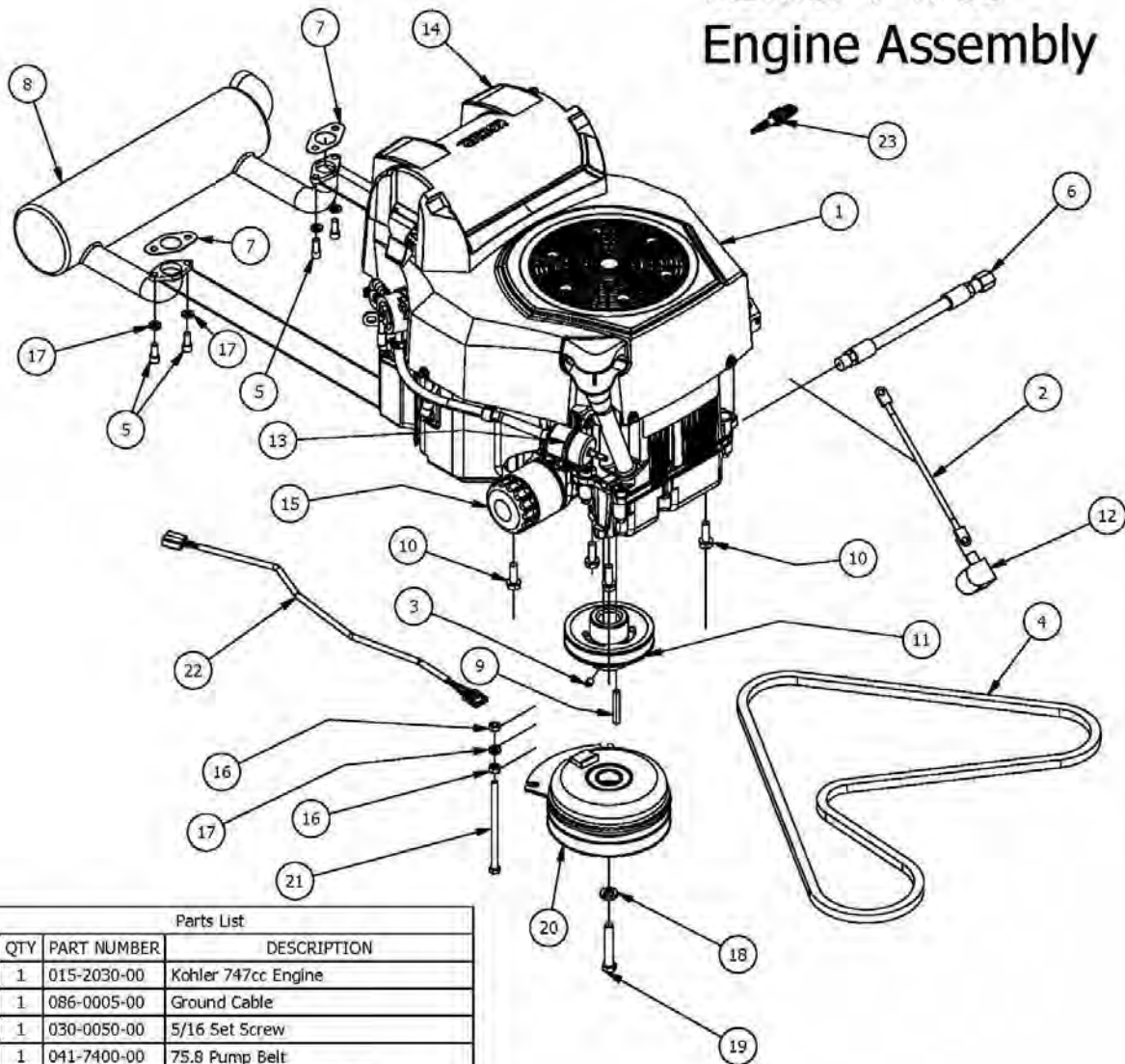
Frame Top Assemblies			
ITEM	QTY	PART NUMBER	DESCRIPTION
1	2	018-8065-00	5/16" x 1" Carriage Bolt
2	8	013-8049-00	5/16" Nylock Flange Nut
3	1	054-8017-00	Choke
4	6	019-6042-00	.360 ID Plastic Washer
5	2	013-8073-00	1/4" Nylock Nut
6	2	013-6014-00	3/8-16 Hex Nuts Zinc
7	4	018-8066-00	5/16" x 7/8" Carriage Bolt
8	2	013-9002-00	5/16" Flange Nut
9	3	019-5029-00	3/8" Flat Washer
10	1	108-5349-00	Solenoid
11	1	064-5300-00	24" Red Battery Cable
12	3	103-5300-00	Red Boot
13	1	068-8049-00	Battery
14	1	064-5301-00	12 in red battery cable
15	6	013-9001-00	1/4-20 Hex Flange Nuts Zinc w/Serrations
16	1	043-8929-00	Battery Hold Down
17	1	086-0005-00	Ground Cable
18	4	018-8052-00	1/4" x 3/4" Hex Bolt
19	2	103-5400-00	Black Boot For Ground Cable
20	1	077-8073-00	Safety Switch
21	2	018-1080-00	12-24x 1/2 HWH Bolt
22	1	013-0012-00	3/8-16 Centerlock Half Nut
23	1	036-5300-00	Seat Switch Adapter
24	6	030-3050-00	#10 x 1/2" Self Tapping Screw
25	6	029-4010-00	Button Bumper
26	1	032-5053-00	Bronze Bushing SF-1220-8:
27	2	064-3000-00	Brake Cable
28	5	086-1201-00	Relay
29	1	086-3050-00	Wire Harness
30	2	013-9005-00	5/16-18 Nylock Jam Nut 1/2 Nut
31	2	019-8040-00	1/4" x 3/4" Carriage Bolt
32	2	018-8050-00	1/4-20 X 8 Carriage Bolt
33	2	013-8051-00	1/4" Wing Nut
34	1	025-0001-00	2015 Brake Lever Spacer
35	1	070-5490-00	2016 Frame
36	2	018-5040-00	3/8" x 1 1/4" Hex Bolt
37	2	034-8045-00	Seat Spring
38	2	014-8047-00	Seat Spring Cap Cover
39	2	019-5037-00	3/8" Lock Washer
40	1	079-3470-00	Maverick Floorboard
41	1	071-5080-00	Seat
42	1	071-5081-00	Back Cushion
43	1	071-5082-00	Bottom Cushion
44	2	071-2017-00	Arm Rest
45	2	071-2020-50	Seat Rails
46	1	071-8061-00	Seat Safety Switch
47	1	026-1016-00	Seat Plate 2016
48	1	028-0085-00	Seat Latch Rod Assembly 2016 Models
49	2	034-1025-00	Seat Latch Spring
50	2	030-7041-00	1/4-20x1/2 HWH Bolt Slot
51	2	018-2012-00	1/4" x 1/2" BS C/S 18-8 SS
52	1	069-1000-00	Brake Handle Cam Over
53	1	069-7000-00	Rubber Brake Grip-cZT/ZT 2013
54	1	081-3000-00	Maverick Floor Mat
55	1	039-0150-00	Brake Cable Adapter Bracket
56	1	018-8063-00	5/16" x 3/4" Hex Bolt
57	5	040-6090-00	5/8" Christmas Tree Fastener
58	1	018-5043-00	3/8" x 1-1/4" Carriage Bolt





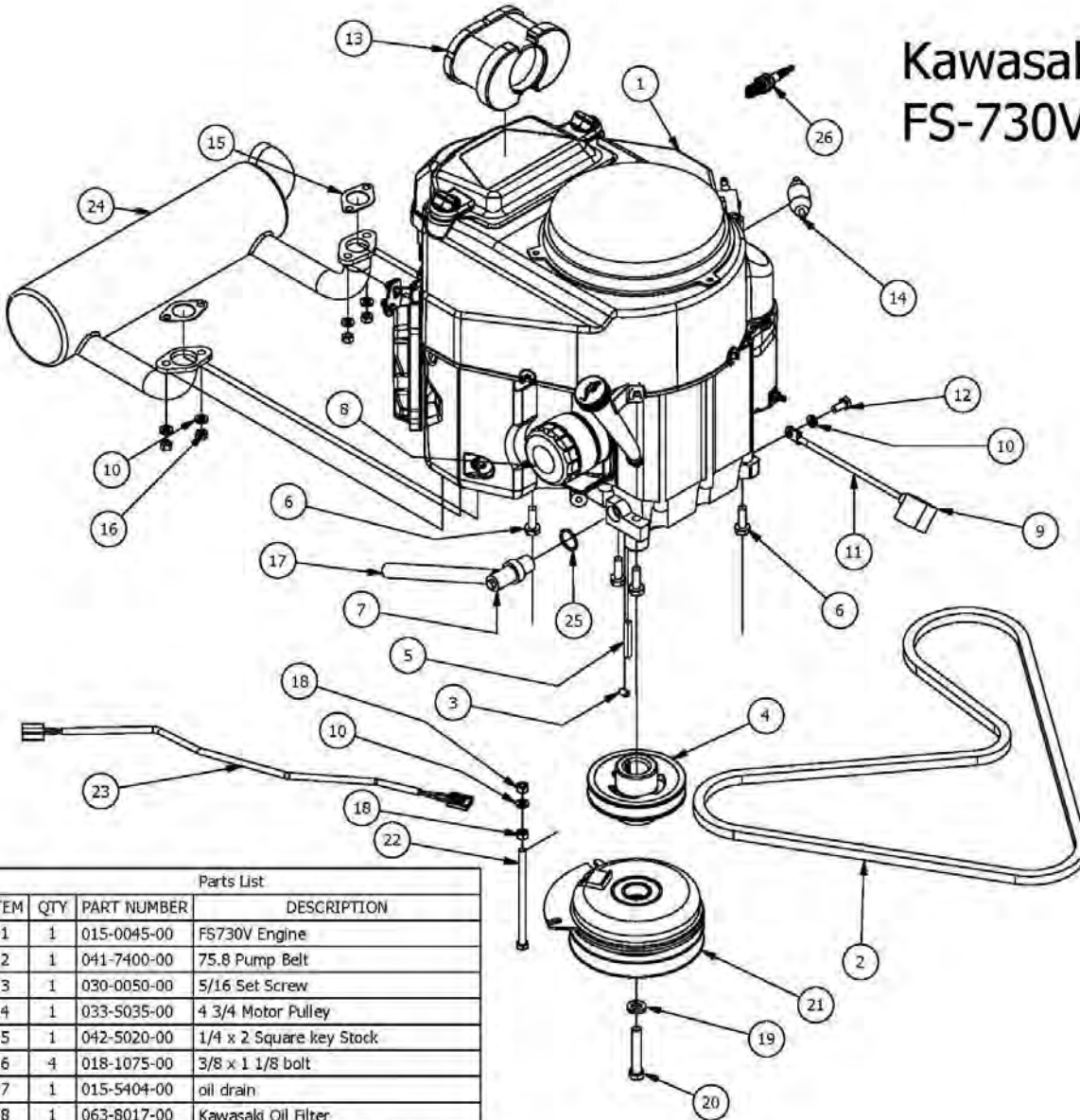
Parts List			
ITEM	QTY	PART NUMBER	DESCRIPTION
1	1	013-8049-00	5/16-18 Nylon Flange Nut
2	1	019-6042-00	.360 ID Plastic Washer
3	1	028-4020-00	Actuator Bar-ZT
4	2	017-7008-00	pillow block 2bolt sealmaster
5	4	019-5007-00	1/2" Lock Washer Zinc
6	4	018-5006-00	1/2" x 1 1/2" Hex Bolt
7	6	013-7018-00	1/2" Hex Nut
8	1	031-7000-00	Height Indicator Lever
9	1	028-2502-00	Height Indicator Bar
10	1	018-2007-00	5/16" x 1" Bolt
11	1	035-7033-00	Actuator
12	2	025-7036-00	1/2 x 1/2 Spacer
13	4	018-6036-00	1/2" x 2 3/4" Hex Bolt
14	3	013-8050-00	1/2-13 Nylon Flange Nut
15	2	031-0060-00	ZT Neutral level rod 2011
16	2	044-2004-00	Bow Pin
17	2	044-2008-00	Neutral Rod Clip
18	1	030-0050-00	5/16 Set Screw
19	2	030-7040-00	1/4 x 1 Hex Head Tek screw
20	1	070-5490-00	2016 Maverick Frame
21	2	025-0003-00	2016 Front Bearing Spacer
22	4	010-1050-00	Caster Bearing 2016 - 1641 Bearing
23	1	250-2335-00	Front Arm Assembly - Long (left)
24	1	250-2330-00	Front Arm Assembly - Long (Right)
25	1	250-2325-00	Front Arm Assembly - Short (left) (48" Deck Only)
26	1	250-2320-00	Front Arm Assembly - Short (Right) (48" Deck Only)
27	2	032-9002-00	Vibration Mount- Red Dot
28	2	018-1055-00	1/2" x 3/4" Hex Bolt
29	2	019-5702-00	1/2" Washer (Grade 8)
30	2	018-0026-00	1-14 x 5.5 Hex Bolt Grade 8 Zinc Yellow
31	2	013-9004-00	1" Fine Thread 1/2 Nylock Nut
32	1	029-7040-00	Front Bumper
33	2	014-3010-00	5/8 Round Insert
34	2	019-6017-00	.630 ID Plastic Washer
35	1	024-6034-00	1/4" Press in Grease Fitting
36	1	018-6016-00	5/8" x 5 1/2 Hex Bolt
37	1	018-2004-00	All Thread-Pump Idler Tensioner
38	1	034-2009-00	2009 Deck/Pump Idler Spring
39	1	033-6001-00	4 3/4" Idler Pulley
40	1	039-6945-00	Deck Idler
41	1	033-8000-00	5-3/4 Idler Pulley 5/8 Bore
42	1	025-5203-00	Spacer 3/4 OD x 1/2 ID x 3\4 Length
43	1	013-7021-00	5/8 Std NC Nylock Nut
44	2	013-5300-00	1/2" Flange Nut

Kohler 747cc Engine Assembly

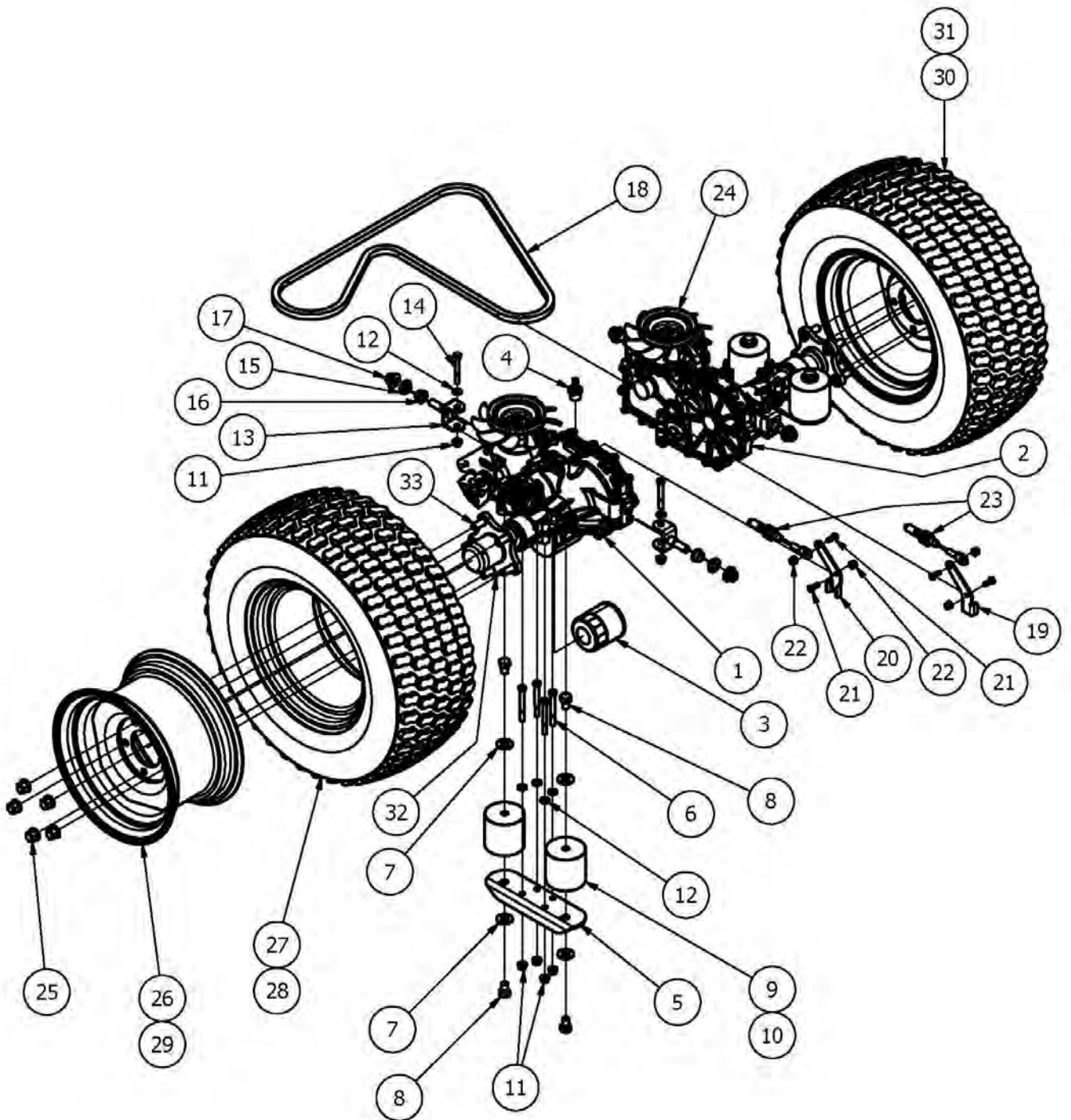


Parts List			
ITEM	QTY	PART NUMBER	DESCRIPTION
1	1	015-2030-00	Kohler 747cc Engine
2	1	086-0005-00	Ground Cable
3	1	030-0050-00	5/16 Set Screw
4	1	041-7400-00	75.8 Pump Belt
5	4	018-8067-00	5/16-18 x 3/4 Socket C/S
6	1	051-5401-00	Oil drain Valve
7	2	015-2751-00	Exhaust Gasket
8	1	015-2750-00	Kohler Exhaust
9	1	042-5020-00	1/4 x 2 Square key Stock
10	4	018-1075-00	3/8 x 1 1/8 bolt
11	1	033-5035-00	4 3/4 Motor Pulley
12	1	103-5400-00	Black Boot For Ground Cable
13	1	063-6000-00	Universal Inline Fuel Filter
14	1	063-5005-00	725 Kohler air filter
15	1	063-5000-00	725 & 747 Kohler Oil Filter
16	2	013-8043-00	5/16" Nut
17	5	019-8051-00	5/16" Lock Washer
18	1	019-8053-00	7/16" Lock Washer
19	1	018-5300-00	7/16" x 2 1/2" Hex Bolt
20	1	070-1000-00	Clutch Assembly
21	1	018-5350-00	5/16-18 x 5-1/2 GR 5 Hex Bolt
22	1	070-2000-00	Clutch Pigtail
23	1	015-8000-00	Spark Plug

Kawasaki FS-730V

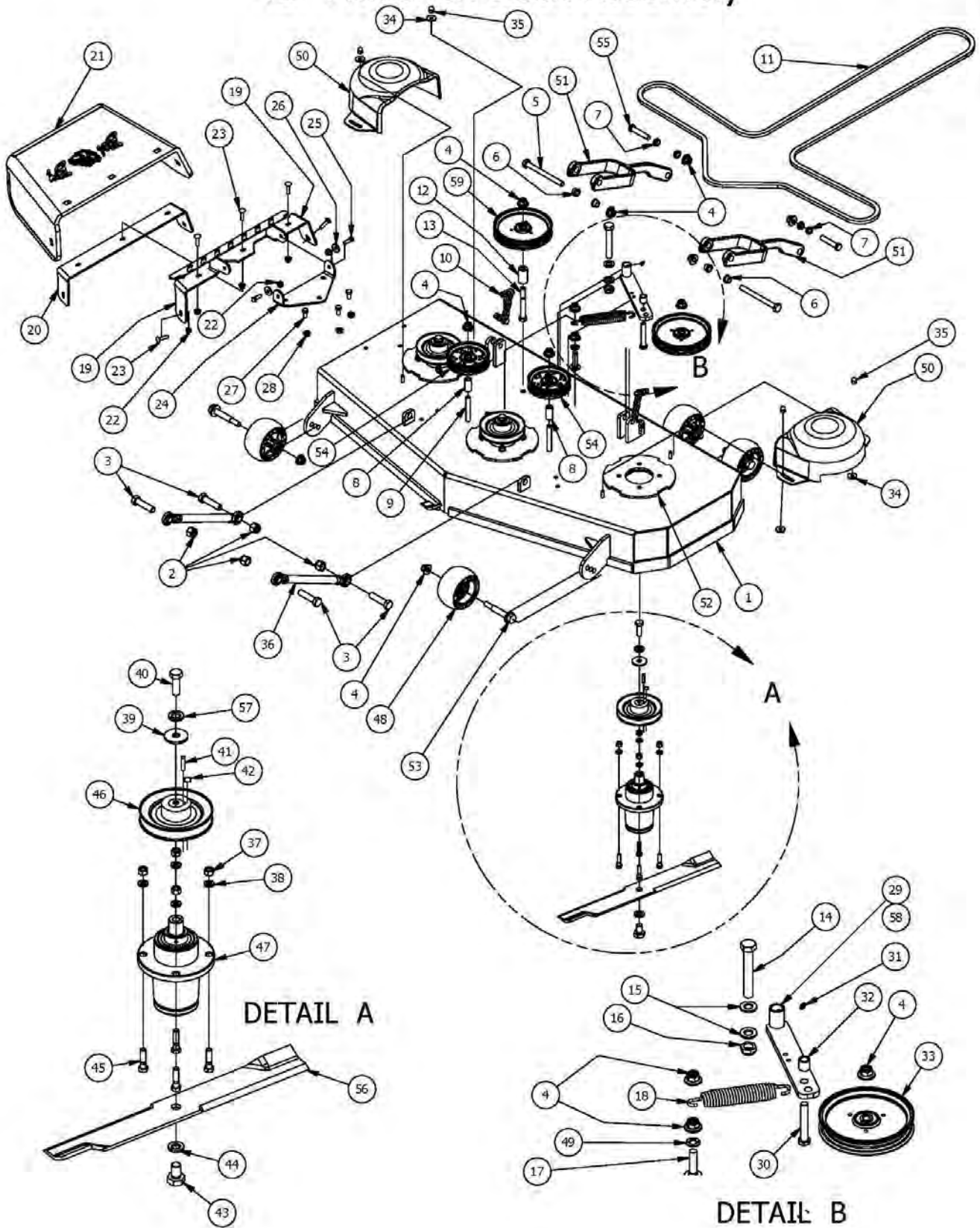


Parts List			
ITEM	QTY	PART NUMBER	DESCRIPTION
1	1	015-0045-00	FS730V Engine
2	1	041-7400-00	75.8 Pump Belt
3	1	030-0050-00	5/16 Set Screw
4	1	033-5035-00	4 3/4 Motor Pulley
5	1	042-5020-00	1/4 x 2 Square key Stock
6	4	018-1075-00	3/8 x 1 1/8 bolt
7	1	015-5404-00	oil drain
8	1	063-8017-00	Kawasaki Oil Filter
9	1	103-5400-00	Black Boot For Ground Cable
10	6	019-8051-00	5/16" Lock Washer
11	1	086-0005-00	Ground Cable
12	1	018-5321-00	M8x1.20x20MM Hex head bolt
13	1	063-2097-00	Kawasaki Air Filter
14	1	063-6000-00	Universal Inline Fuel Filter
15	2	015-2709-00	Exhaust Gasket
16	4	013-0075-00	M8-1.25 Zinc Nut
17	1	051-8064-00	1/2 Clear Braded Hose Priced/Foot
18	2	013-8043-00	5/16" Nut
19	1	019-8053-00	7/16" Lock Washer
20	1	018-5300-00	7/16" x 2 1/2" Hex Bolt
21	1	070-1000-00	Clutch Assembly
22	1	018-5350-00	5/16-18 x 5-1/2 GR 5 Hex Bolt
23	1	070-2000-00	Clutch Pigtail
24	1	015-0012-00	Exhaust Kawasaki FS/FR
25	1	015-5403-00	O-Ring
26	1	015-8001-00	Spark Plug - Kawasaki



Parts List			
ITEM	QTY	PART NUMBER	DESCRIPTION
1	1	050-0075-00	3200 Left transaxle
2	1	050-0080-00	3200 right transaxle
3	2	063-1050-00	ZT Hydraulic Filter
4	2	024-1200-00	45 degree fitting
5	2	039-1306-00	Rear Susp Transaxle Mount
6	8	018-4701-00	5/16" x 3" Hex Bolt
7	8	019-5702-00	1/2" Washer (Grade 8)
8	8	018-1055-00	1/2" x 3/4" Hex Bolt
9	4	032-9000-00	Vibration Mount-Green Dot
10	4	032-9002-00	Vibration Mount-Red Dot (48" Maverick Only)
11	12	013-9002-00	5/16" Flange Nut
12	12	019-8044-00	5/16" Flat Washer
13	4	039-0001-00	Maverick Rear Transaxle Pivot Bracket
14	4	018-5344-00	5/16" x 2 1/2" Bolt
15	4	019-8027-00	.515 ID Nylon Shoulder Washer
16	4	032-5052-00	Bronze Bushing - SF - 2024-8
17	4	013-8050-00	1/2-13 Nylon Flange Nut
18	1	041-7400-00	75.8" Pump Belt
19	1	039-1321-00	Brake Arm Ext (Right)
20	1	039-1320-00	Brake Arm Ext (Left)
21	4	018-8052-00	1/4" x 3/4" Hex Bolt
22	4	013-2050-00	1/4-20 Nylon Insert flange Nut
23	2	064-3000-00	Brake Cable
24	2	050-2075-00	Fan/Pully Kit for ZT and Maverick
25	10	013-3000-00	Acorn Lug Nut
26	2	022-5466-00	12" Black Wheel
27	2	022-5351-00	23 x 10.50 -12 Tire
28	2	022-3025-00	23 x 8.50 - 12 Tire (48" Maverick Only)
29	2	022-3011-00	12 x 7" Black Wheel (48" Maverick Only)
30	2	022-5465-00	Tire and Wheel Assembly (26 and 27)
31	2	022-3010-00	Tire and Wheel Assembly (28 and 29) (48" Maverick Only)
32	2	050-2077-00	Transaxle Hub
33	10	050-2012-00	Transaxle Wheel Stud

48" Maverick Deck Assembly

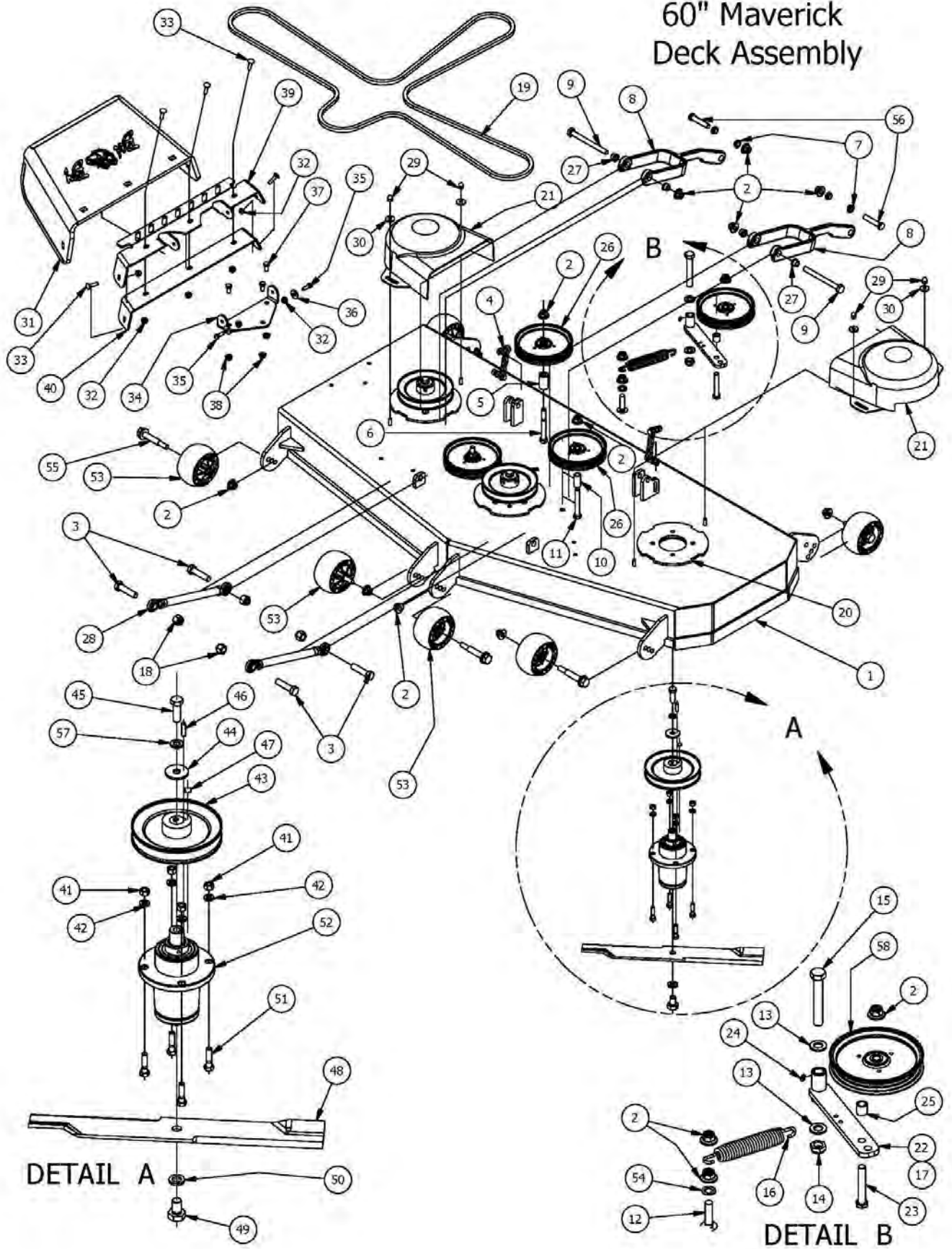


Parts List			
ITEM	QTY	PART NUMBER	DESCRIPTION
1	1	060-6048-00	ZT/Maverick 48" Deck
2	4	013-7021-00	5/8 Std NC Nylock Nut
3	4	018-6059-00	5/8" x 2 1/2" Grade 5 Hex Bolt (Coarse)
4	14	013-8050-00	1/2-13 Nylon Flange Nut
5	2	018-1090-00	1/2" x 5 1/2" Bolt
6	4	032-5056-00	Flange Bushing For Upper Deck Arm
7	4	032-5057-00	Flange Bushing For Lower Deck Arm
8	2	025-5338-00	.502 ID X .750 OD X 1.500 Long Spacer
9	2	018-2018-00	1/2 x 3 1/2 Flange Bolt Grade 8
10	2	047-8000-00	6 Link Chain assembly
11	1	041-1470-00	48 Deck Belt
12	1	025-5339-00	1 3/4" Pulley Spacer
13	1	018-5019-00	1/2" x 4" Bolt (Grade 8)
14	1	018-5311-00	5/8" x 4" Hex Bolt
15	2	019-6017-00	.630 ID Plastic Washer
16	1	013-5301-00	5/8-11 Nylon Insert Jam Half Nut
17	1	018-1050-00	1/2 x 2" Carriage Bolt
18	1	034-2009-00	2009 Deck/Pump Idler Spring
19	1	039-4870-00	Discharge Upper Chute Bracket
20	1	039-4871-00	Discharge Lower Chute Bracket
21	1	210-6005-00	Rubber Discharge Chute
22	7	013-8049-00	5/16" Nylon Flange Nut
23	5	018-4703-00	5/16" x 1 1/4" Carriage Bolt
24	1	206-6017-00	Discharge Chute Hanger (Deck Mounted)
25	2	018-2007-00	5/16" x 1" Bolt
26	2	019-6042-00	.360 ID Plastic Washer
27	3	018-5250-00	3/8" x 3/4" Hex Bolt
28	3	013-5201-00	3/8" Flange Nut
29	1	039-6945-00	Deck Idler
30	1	018-7016-00	1/2-13 x GR 5 Hex Bolt Zinc
31	1	024-6034-00	1/4" Press in Grease Fitting
32	1	025-5203-00	Spacer 3/4 OD x 1/2 ID x 3/4 Length
33	1	033-7201-00	5-3/4 Idler Pulley-Don Dye
34	4	019-6050-00	.360 ID Plastic Washer-Black
35	4	013-0004-00	Acorn nut-pulley Cover
36	2	048-6060-00	Turnbuckle (Top Link)
37	12	013-6014-00	3/8" Hex Nut
38	12	019-5037-00	3/8" Lock Washer
39	3	019-6020-00	1/2 Belleville Washer
40	3	018-6019-00	1/2"-20 x 1 1/2 - Grade 5 Fine Thread Bolt
41	3	042-6030-00	1/4" x 1" Key
42	3	030-0050-00	5/16 Set Screw
43	3	018-6020-00	5/8" x 1 1/2" Grade 8 Hex Bolt (Fine)
44	3	019-4807-00	5/8" Lock Washer
45	12	018-6012-00	3/8" x 1 1/2" Hex Bolt
46	3	033-6003-00	5" Spindle Deck Pulley
47	3	037-6015-50	Spindle Assembly
48	4	022-1000-00	Anti-Scalp Rollers
49	1	019-0007-00	.517 Square Hole Round Washer
50	2	014-4000-00	Pulley Cover
51	2	031-6020-00	Deck Arm Assembly
52	3	026-0025-00	Deck Spindle Support Plate
53	4	018-0010-00	Deck Wheel Bolt
54	2	033-6001-00	4-3/4 Idler Pulley
55	2	018-0015-00	1/2" x 3" Hex Bolt
56	3	038-5350-00	Fusion Blade
57	3	019-5007-00	1/2" Lock Washer Zinc
58	1	039-6945-01	Idler Arm Assembly (Parts 4,29,30,31,32,33)
59	1	033-7201-25	5-3/4 Idler Pully

Parts List			
ITEM	QTY	PART NUMBER	DESCRIPTION
1	1	060-6054-00	ZT/Maverick 54" Deck
2	16	013-8050-00	1/2-13 Nylon Flange Nut
3	4	018-6059-00	5/8" x 2 1/2" Grade 5 Hex Bolt (Coarse)
4	4	013-7021-00	5/8 Std NC Nylock Nut
5	2	031-6020-00	Deck Arm Assembly
6	4	032-5057-00	Flange Bushing For Lower Deck Arm
7	4	032-5056-00	Flange Bushing For Upper Deck Arm
8	2	018-1090-00	1/2" x 5 1/2" Bolt
9	2	047-8000-00	6 Link Chain assembly
10	2	018-2018-00	1/2 x 3 1/2 Flange Bolt Grade 8
11	2	025-5338-00	.502 ID X .750 OD X 1.500 Long Spacer
12	1	025-5339-00	1 3/4" Pulley Spacer
13	1	018-5019-00	1/2" x 4" Bolt (Grade 8)
14	1	034-2009-00	2009 Deck/Pump Idler Spring
15	1	018-1050-00	1/2 x 2" Carriage Bolt
16	1	013-5301-00	5/8-11 Nylon Insert Jam Half Nut
17	2	019-6017-00	.630 ID Plastic Washer
18	1	018-5311-00	5/8" x 4" Hex Bolt
19	1	039-6945-01	Deck Idler Assembly (Components 2,24,25,26,27,29,59)
20	1	041-1560-00	B155.75 Deck Belt
21	6	018-0010-00	Deck Wheel Bolt
22	2	014-5000-00	2014 ZT Pulley Cover
23	3	026-0025-00	Deck Spindle Support Plate
24	1	039-6945-00	Deck Idler
25	1	018-7016-00	1/2-13 x GR 5 Hex Bolt Zinc
26	1	024-6034-00	1/4" Press in Grease Fitting
27	1	025-5203-00	Spacer 3/4 OD x 1/2 ID x 3 1/4 Length
28	3	033-7201-25	5-3/4 Idler Pulley
29	1	033-7201-00	5-3/4 Idler Pulley Don-Dye
30	1	210-6005-00	Rubber Discharge Chute
31	7	013-8049-00	5/16" Nylon Flange Nut
32	5	018-4703-00	5/16" x 1 1/4" Carriage Bolt
33	1	206-6017-00	Discharge Chute Hanger (Deck Mounted)
34	2	018-2007-00	5/16" x 1" Bolt
35	2	019-6042-00	.360 ID Plastic Washer
36	3	018-5250-00	3/8" x 3/4" Hex Bolt
37	3	013-5201-00	3/8" Flange Nut
38	1	039-4864-00	60" Discharge Chute Upper Hanger
39	1	039-4863-00	60" Lower Hanger
40	4	013-0004-00	Acorn nut-pulley Cover
41	4	019-6050-00	.360 ID Plastic Washer-Black
42	2	048-6060-00	Turnbuckle
43	12	013-6014-00	3/8" Hex Nut
44	12	019-5037-00	3/8" Lock Washer
45	3	019-6020-00	1/2 Belleville Washer
46	3	018-6019-00	1/2"-20 x 1 1/2 - Grade 5 Fine Thread Bolt
47	3	042-6030-00	1/4" x 1" Key
48	3	030-0050-00	5/16 Set Screw
49	3	018-6020-00	5/8" x 1 1/2" Grade 8 Hex Bolt (Fine)
50	3	019-4807-00	5/8" Lock Washer
51	12	018-6012-00	3/8" x 1 1/2" Hex Bolt
52	3	038-0001-00	54" Deck Fusion Blade For Outlaw
53	3	033-6003-00	5" Spindle Deck Pulley
54	3	037-6015-50	Spindle Assembly
55	6	022-1000-00	Anti-Scalp Rollers
56	1	019-0007-00	.517 Square Hole Round Washer
57	6	018-0010-00	Deck Wheel Bolt
58	2	018-0015-00	1/2" x 3" Hex Bolt
59	4	019-5007-00	1/2" Lock Washer Zinc



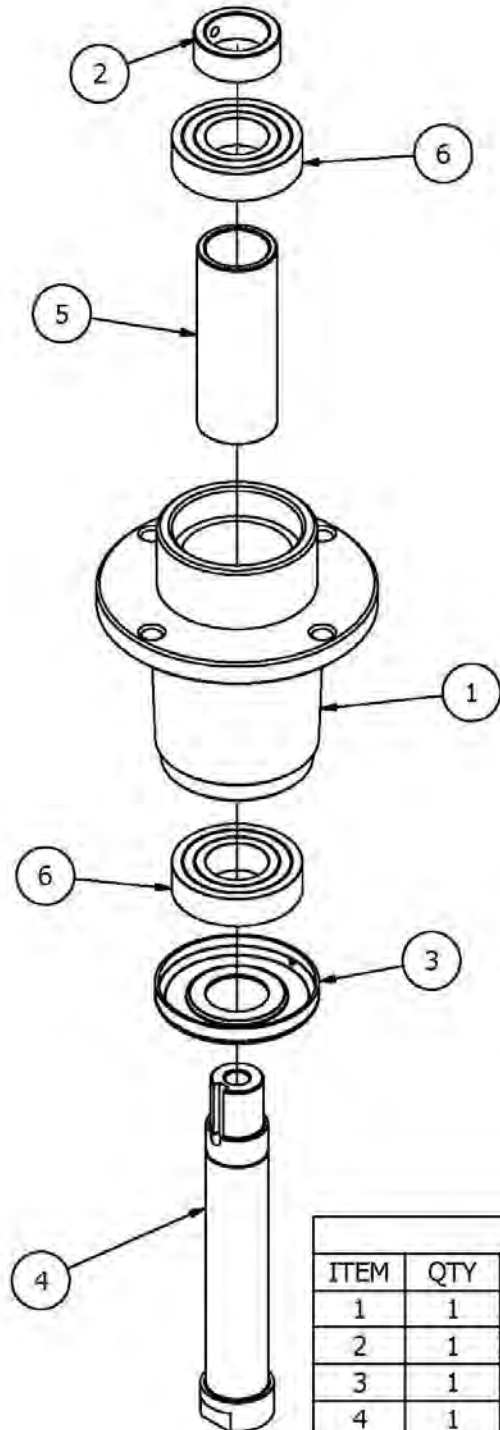
60" Maverick Deck Assembly



Parts List			
ITEM	QTY	PART NUMBER	DESCRIPTION
1	1	060-6060-00	60" ZT/Maverick Deck
2	16	013-8050-00	1/2-13 Nylon Flange Nut
3	4	018-6059-00	5/8" x 2 1/2" Grade 5 Hex Bolt (Coarse)
4	2	047-8000-00	6 Link Chain assembly
5	1	025-5339-00	1 3/4" Pulley Spacer
6	1	018-5019-00	1/2" x 4" Bolt (Grade 8)
7	4	032-5057-00	Flange Bushing For Lower Deck Arm
8	2	031-6020-00	Deck Arm Assembly
9	2	018-1090-00	1/2" x 5 1/2" Bolt
10	2	025-5338-00	.502 ID X .750 OD X 1.500 Long Spacer
11	2	018-2018-00	1/2 x 3 1/2 Flange Bolt Grade 8
12	1	018-1050-00	1/2 x 2" Carriage Bolt
13	2	019-6017-00	.630 ID Plastic Washer
14	1	013-5301-00	5/8-11 Nylon Insert Jam Half Nut
15	1	018-5311-00	5/8" x 4" Hex Bolt
16	1	034-2009-00	2009 Deck/Pump Idler Spring
17	1	039-6945-01	Deck Idler Assembly (Components 2,22,23,24,25,58)
18	4	013-7021-00	5/8 Std NC Nylock Nut
19	1	041-1650-00	60" ZT Deck Belt
20	3	026-0025-00	Deck Spindle Support Plate
21	2	014-5000-00	2014 ZT Pulley Cover
22	1	039-6945-00	Deck Idler
23	1	018-7016-00	1/2-13 x GR 5 Hex Bolt Zinc
24	1	024-6034-00	1/4" Press in Grease Fitting
25	1	025-5203-00	Spacer 3/4 OD x 1/2 ID x 3/4 Length
26	3	033-7201-25	5-3/4 Idler Pulley
27	4	032-5056-00	Flange Bushing For Upper Deck Arm
28	2	048-6060-00	Tumbuckle (Top Link)
29	4	013-0004-00	Acorn nut-pulley Cover
30	4	019-6050-00	.360 ID Plastic Washer-Black
31	1	210-6005-00	Rubber Discharge Chute
32	7	013-8049-00	5/16" Nylon Flange Nut
33	5	018-4703-00	5/16" x 1 1/4" Carriage Bolt
34	1	206-6017-00	Discharge Chute Hanger (Deck Mounted)
35	2	018-2007-00	5/16" x 1" Bolt
36	2	019-6042-00	.360 ID Plastic Washer
37	3	018-5250-00	3/8" x 3/4" Hex Bolt
38	3	013-5201-00	3/8" Flange Nut
39	1	039-4864-00	60" Discharge Chute Upper Hanger
40	1	039-4863-00	60" Lower Hanger
41	12	013-6014-00	3/8" Hex Nut
42	12	019-5037-00	3/8" Lock Washer
43	3	033-6004-00	6 1/4" Drive Pulley
44	3	019-6020-00	1/2 Belleville Washer
45	3	018-6019-00	1/2"-20 x 1 1/2 - Grade 5 Fine Thread Bolt
46	3	042-6030-00	1/4" x 1" Key
47	3	030-0050-00	5/16 Set Screw
48	3	038-6060-00	60 Inch Fusion Blade
49	3	018-6020-00	5/8" x 1 1/2" Grade 8 Hex Bolt (Fine)
50	3	019-4807-00	5/8" Lock Washer
51	12	018-6012-00	3/8" x 1 1/2" Hex Bolt
52	3	037-6015-50	Spindle Assembly
53	6	022-1000-00	Anti-Scalp Rollers
54	1	019-0007-00	.517 Square Hole Round Washer
55	6	018-0010-00	Deck Wheel Bolt
56	2	018-0015-00	1/2" x 3" Hex Bolt
57	3	019-5007-00	1/2" Lock Washer
58	1	033-7201-00	5-3/4 Idler Pully



037-6015-50 Spindle Assembly



Parts List			
ITEM	QTY	PART NUMBER	DESCRIPTION
1	1	037-6017-50	Spindle Housing
2	1	037-9050-00	Locking Collar w/ 1/4"-20 Set Screw
3	1	037-8002-00	Spindle Dust Cap
4	1	037-6026-00	Spindle Shaft
5	1	037-8050-00	Spindle Spacer
6	2	037-6023-00	Bearing - 6206



091-0201-00
Logo Decal Front



091-0336-00
726cc Decal



091-0337-00
747cc Decal



091-0903-00
48" Deck Decal



091-0904-00
54" Deck Decal



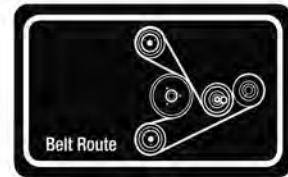
091-0905-00
60" Deck Decal



091-0332-00
Control Panel Decal



091-3309-00
Deck Belt Route Decal



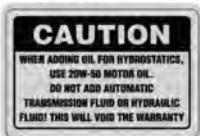
091-3017-50
Pump Belt Route Decal



091-3150-00
Outlaw Warning Decal



091-3012-00
Danger Decal – Spindle/Discharge



091-1020-00
MZ Hydraulic Decal



091-8000-00
EZ Ride



091-1042-00 Maverick Kick Plate Decal

2016 LIMITED WARRANTY FOR BAD BOY MAVERICK MOWERS

1. WHAT THIS WARRANTY COVERS, AND FOR HOW LONG:

Bad Boy, Inc. will, at its option, repair or replace, without charge, any part covered by the warranty which is found to be defective in material and/or workmanship within the lesser of two (2) year* or 400 hours after date of sale to the original retail purchaser **unless the product is used for rental purposes in which case there is NO warranty.**

The leading edge of the deck shell will be warranted for the entire lifetime of the machine to the original purchaser against defects in materials and workmanship. Labor required to repair or replace the leading edge of the deck shell will be covered by Bad Boy, Inc for the first year and at the unit owner's expense during the balance of the lifetime of the machine.

Belts are warranted for a period of ninety (90) days against materials or workmanship defects.

Seats are warranted for a period of (6) months against material or workmanship defects.

At Bad Boy, Inc.'s request, customer will make the defective part available for inspection by Bad Boy, Inc. and/or return the defective part to Bad Boy, Inc., **transportation charges prepaid.**

2. WHAT THIS WARRANTY DOES NOT COVER:

A. This warranty does not cover defects caused by depreciation or damage caused by normal wear, accidents, improper maintenance, improper use or abuse of the product, alterations, or failure to follow the instruction contained in the Owner's Manual for operation and maintenance.

B. The customer shall pay any charges for making service calls and/or for transporting the mower to and from the place where the inspection and/or warranty work is performed.

Bad Boy Inc will not be responsible for the pickup and delivery of a machine for warranty purposes.

C. Engines are warranted separately by their respective manufacturer. The available warranties covering this item are furnished with each mower. Bad Boy, Inc does not assume any warranty obligation, liability or modification for this item, which is covered exclusively by the stated warranty of the respective manufacturers.

D. Tires, blades, deck anti-scalping wheels, and dust covers are considered to be consumable wear items and are therefore not warranted.

E. Batteries are warranted for six months (free replacement) from the retail purchase date against materials or workmanship defects. The battery warranty must be obtained through the battery manufacturer.

F. Normal maintenance services such as oil change, cleaning, lubrication, and adjustment.

G. Replacement of services, items, such as oil, lubricants, spark plugs, belts, rubber hoses or other items subject to normal service replacement.

3. HOW TO OBTAIN SERVICE UNDER THIS WARRANTY:

A. Warranty service can be arranged by contacting the dealer where you purchased the mower. Proof of the date of purchase may be required to verify warranty coverage.

B. Warranty claims will not be reviewed or paid unless the warranty registration is received by Bad Boy, Inc. within 30 days of the retail purchase date.

C. Warranty claims requiring parts returned will be settled upon return of parts to Bad Boy for inspection.

D. All warranty issues must be handled through an authorized service center or dealership.

4. WARRANTY LIMITATION:

A. **THERE IS NO OTHER EXPRESS WARRANTY. ANY WARRANTY THAT MAY BE IMPLIED FROM THIS PURCHASE INCLUDING MERCHANTABILITY AND FITNESS FOR A PARTICULAR PURPOSE IS HEREBY LIMITED TO THE DURATION OF THIS WARRANTY AND TO THE EXTENT PERMITTED BY LAW ANY AND ALL IMPLIED WARRANTIES ARE EXCLUDED.** Some states do not allow limitations on how long an implied warranty lasts, so the above limitations may not apply to you.

B. **BAD BOY, INC. WILL NOT BE LIABLE FOR ANY INCIDENTAL, CONSEQUENTIAL, OR SPECIAL DAMAGES AND/OR EXPENSES IN CONNECTION WITH THE PURCHASE OR USE OF THE MOWER.** Some states do not allow the exclusion or limitation of incidental or consequential damages, so the above limitation(s) or exclusion(s) may not apply to you.

C. Only the warranty expressed in this limited warranty shall apply and no dealer, distributor, or individual is authorized to amend, modify, or extend this warranty in any way. Accordingly, additional statements such as dealer advertising or presentations, whether oral or written, do not constitute warranties by Bad boy, Inc., and should not be relied on.

D. This warranty extends only to turf equipment operated under normal conditions and properly serviced and maintained. The warranty expressly does not cover (i) any defects, damage or deterioration due to normal use, wear and tear, or exposure; (ii) normal maintenance services such as oil change, cleaning, lubrication, adjustment; (iii) replacement of services, items, such as oil, lubricants, spark plugs, belts, rubber hoses or other items subject to normal service replacement; (iv) damage or defects arising out of or relating to misuse, neglect, alteration, negligence or accident; (v) repair or replacement arising from operation of or use of the turf equipment which is not in accordance with operating instructions as specified in the operator's manual or other operational instructions provided by Bad Boy Inc.; (vi) repair or replacement arising as a result of any operation from turf equipment that has been altered or modified so as to, indeterminately of Bad Boy, Inc., adversely affect the operation, performance or durability of the equipment or that has altered, modified or affected the turf equipment so as to change the intended use of the product; (vii) repair or replacement necessitated by use of parts, accessories or supplies, including gasoline, oil or lubricants, incompatible with the turf equipment or other than as recommended in the operator's manual or other operational instructions provided by Bad Boy, Inc.; (viii) repairs or replacements resulting from parts or accessories which have adversely affected the operation, performance or durability of the turf equipment; or (ix) damage or defects due to or arising out of repair of turf equipment by person or persons other than an authorized Bad Boy, Inc., service dealer or the installation of parts other than genuine Bad Boy, Inc., recommended parts.

As a condition to this warranty, customer shall have read the operator's manual and ensured the mower has been registered within 30 days of purchase.

E. This warranty gives you specific legal rights, and you may also have other rights, which vary from state to state.



Bad Boy, Inc.
102 Industrial Drive
Batesville, AR 72501
www.badboymowers.com

Technical Support:techsupport@badboymowers.com

Warranty:warranty@badboymowers.com

Parts:partsdept@badboymowers.com

WARRANTY REGISTRATION

**Ensure selling dealership has registered mower within
30 days of purchase to validate warranty.**

Please record your serial number, date of purchase and dealership information for your records.

Serial # _____

Date of Purchase _____

Dealer Information _____

MAVERICK MODEL



For additional information, please see us at
www.badboymowers.com

Bad Boy, Inc.
102 Industrial Drive
Batesville, Arkansas 72501