



# **OUTLAW & OUTLAW EXTREME MODELS**

## **ZERO-TURN MOWER OWNER'S, SERVICE & PARTS MANUAL**

For additional information, please see us at  
[www.badboymowers.com](http://www.badboymowers.com)

Bad Boy, Inc.  
102 Industrial Drive  
Batesville, Arkansas 72501  
(870) 698-0090

---

# TABLE OF CONTENTS

Basic Information.....	Section 1 (page 4)
Bad Boy Safety Guidelines .....	Section 2 (pages 5–8)
Operation .....	Section 3 (pages 9)
Maintenance .....	Section 4 (page 10)
Storage and Transportation .....	Section 5 (page 10)
Troubleshooting and FAQ.....	Section 6 (page 11)
Controls .....	Section 7 (page 12)
Moving In-operable Mower .....	Section 8 (page 13)
Instrumentation .....	Section 9 (page 13)
Mower Blade Maintenance .....	Section 10 (page 14)
Greasing Bearings.....	Section 11 (pages 14)
How to choose the right blade .....	Page 15
Mowing Tips .....	Page 16

**SERVICE SECTION BEGINS ON PAGE 17**  
**PARTS SECTION BEGINS ON PAGE 25**  
**LIMITED WARRANTY PAGE 54**



## This manual applies to the following equipment:

### Bad Boy Outlaw

Outlaw 5400 54" 810cc Briggs Commercial  
 Outlaw 6100 61" 810cc Briggs Commercial  
 Outlaw 5400 54" 747cc Kohler  
 Outlaw 6100 61" 747cc Kohler  
 Outlaw 5400 54" 730cc Kawasaki  
 Outlaw 6100 61" 730cc Kawasaki

### Outlaw Extreme Series

Outlaw Extreme 5400 54" 747cc Kohler EFI  
 Outlaw Extreme 6100 61" 747cc Kohler EFI  
 Outlaw Extreme 5400 54" 852cc Kawasaki  
 Outlaw Extreme 6100 61" 852cc Kawasaki  
 Outlaw Extreme 7200 72" 852cc Kawasaki  
 Outlaw Extreme 6100 61" 993cc Vanguard  
 Outlaw Extreme 7200 72" 993cc Vanguard

## COMMONLY USED ITEMS AND PART NUMBERS

72" Blade	Hi-Lift Fusion 038-7230-00	Gator Blade 038-5400-00	Wave Blade 038-7215-00
61" Blade	Hi-Lift Fusion 038-6080-00	Gator Blade 038-6081-00	Wave Blade 038-6090-00
54" Blade	Hi-Lift Fusion 038-0001-00	Gator Blade 038-0003-00	Wave Blade 038-5220-00
Deck Belt	72" 041-0202-00	61" 041-0178-00	54" 041-1650-00
Pump Belt	041-5048-00		
Vanguard 993cc	Oil Filter 063-8018-00	Air Filter Inner 063-8020-00	Air Filter Outer 063-8019-00
Kawasaki 852cc	Oil Filter 063-8017-00	Air Filter Inner 063-8020-00	Air Filter Outer 063-8019-00
Kawasaki 730cc	Oil Filter 063-8017-00	Air Filter Inner 063-8020-00	Air Filter Outer 063-8019-00
Briggs 810cc	Oil Filter 063-8018-00	Air Filter 063-3003-00	
Kohler 747cc	Oil Filter 063-5400-00	Air Filter Inner 063-8020-00	Air Filter Outer 063-8019-00
Kohler 747cc EFI	Oil Filter 063-5400-00	Air Filter Inner 063-8020-00	Air Filter Outer 063-8019-00
Motor Oil	10w30 (Reference Engine's Owner Manual)		
Hydro Oil	20w50 (8 quarts)		
5400 Hydro Filters	063-1060-00		

---

## SECTION 1: BASIC INFORMATION

Congratulations on the purchase of your new Bad Boy Mower! The purpose of this manual is to assist operators in maintaining and operating their machine. The information and instructions in this manual can help you attain years of performance from your new Bad Boy. Also, check out our website to learn more about the Bad Boy family.

- 1.1 All Bad Boy engines use 10W30 engine oil. Conventional or Synthetic may be used.
- 1.2 All Bad Boy hydraulic systems use 20W50 engine oil. Conventional or Synthetic may be used.
- 1.3 All Bad Boy Mowers use hi-temp multi-purpose grease. NLGI No. 2 for the grease fittings.
- 1.4 Outlaw models have 12 psi in both front and rear tires.
- 1.5 Most Briggs, Kohler, Kawasaki, and Vanguard engines hold approximately two (2) quarts of motor oil. Be careful not to over fill engine oil. Refer to the engine's service manual.

### Warranty Registration

The Warranty Registration form must be completed and signed to validate your warranty. As the new equipment owner, you are expected to see that the form is completed and forwarded to Bad Boy, Inc., at time of delivery. Warranty is non transferable.

### Model/Serial Number

Your Outlaw model serial numbers are found on the SIN plate underneath seat. The serial numbers are necessary on the warranty registration form. Also, these numbers can assist you in the ordering of new parts when replacements become necessary.

### Parts/Service

Only Bad Boy replacement parts are to be used on your mower.

Replacement parts are available through your local Bad Boy Mower Dealer. Remember to always provide the following information when ordering parts:

1. Correct part number
2. Correct serial number

All warranty repair and service must be handled through your authorized Bad Boy Mowers dealer.

To locate the nearest dealer, go to our website and click on Locate a Dealer.

## EVAPORATIVE EMISSION CONTROL WARRANTY STATEMENT

### ***Federal Evaporative Emission Control Warranty: Your Warranty Rights and Obligations***

The Environmental Protection Agency (EPA), and Bad Boy Inc. are pleased to explain the evaporative emission control system's warranty on your 2014 equipment. New equipment that uses spark ignition engines for off-road use must be meet stringent anti-smog standards.

The evaporative emission control system on your equipment is designed, built, and equipped so it conforms at the time of sale to the ultimate purchaser with the requirements of 40 CFR 1060. The evaporative emission control system is free from defects in materials and workmanship that may keep it from meeting said requirements. Bad Boy Inc. must warrant the evaporative emission control system on your equipment for two years provided there has been no abuse, neglect or improper maintenance. If an evaporative emission control system component does fail in a manner that would cause the equipment to no longer meet the requirements of 40 CFR 1060 within the first two years Bad Boy Inc. will replace the defective component. Your evaporative emission control system may include parts such as fuel tanks, fuel lines, carbon canisters, fuel caps, valves, vapor hoses, clamps, or connectors.



---

## SECTION 2: MOWER SAFETY GUIDELINES

Never allow untrained people to operate this machine. It is the owner's responsibility to get training and see to it that anyone who has permission to use your machine receives the proper training. Do not mow around people. The factory discharge chute is designed to deflect debris downward, but it could be possible for debris to be thrown in a way that can cause damage to people or property. Seek additional training when possible to learn more about safety techniques and practices. **This cutting machine is capable of amputating hands and feet and throwing objects. Failure to observe the following safety instructions could result in serious injury or death.**

### GENERAL OPERATION

- 2.1 Read, understand, and follow all instructions on the machine and in the manual before starting.
- 2.2 Do not put hands or feet near rotating parts or under the machine. Keep clear of the discharge opening at all times.
- 2.3 Always remain seated while operating the machine. If the machine is equipped with Roll Over Protection (ROPs), always buckle your seat belt.
- 2.4 Only allow responsible adults who are familiar with the instructions to operate this machine.
- 2.5 Clear the area of objects such as rocks, wire, toys, etc., which could be thrown by the blades.
- 2.6 Always maintain a safe distance from people and pets just prior to, and during, operation. Stop the machine if anyone enters the area.
- 2.7 Never carry passengers.
- 2.8 Do not mow in reverse unless absolutely necessary. Always look down and behind before and while backing.
- 2.9 Never direct discharged material toward anyone. Avoid discharging material against a wall or obstruction as material may ricochet back toward the operator. Stop the blades when crossing gravel surfaces.
- 2.10 Never operate the machine without the discharge chute, grass catcher, or other safety devices correctly in place and functioning properly.
- 2.11 Slow down before turning.
- 2.12 Always disengage blades, place steering controls in neutral, engage parking brake, and remove ignition key when leaving operators seat. Never leave a running machine unattended.
- 2.13 Disengage blades when not mowing. Shut off engine and wait for all parts to come to a complete stop before cleaning the machine, inspecting the machine for damage, removing the grass catcher, or unclogging the discharge guard.
- 2.14 Always operate machine in daylight or with adequate working lights.
- 2.15 Do not operate the machine while under the influence of alcohol or drugs.
- 2.16 Watch for traffic when operating near or crossing roadways.
- 2.17 Always wear eye protection when operating or servicing the machine.
- 2.18 Always wear ear protection, such as earplugs, while mowing.
- 2.19 Use extra care when loading or unloading the machine into a trailer or truck.
- 2.20 Be alert of surroundings. Watch for rocks, stumps, mounds, depressions, and low hanging limbs or objects that could be potentially hazardous while mowing.
- 2.21 Data indicates that operators 60 years of age and above are involved in a large percentage of riding mower related injuries. These operators should periodically evaluate their ability to operate the riding mower safely enough to protect themselves and others from serious injury.

---

## SLOPE OPERATION

Slopes are a major factor related to loss of control and tip over accidents, which can result in severe injury or death. Operation on all slopes requires extra caution. If you cannot back up the slope, or you feel uneasy on it, do not mow it.

- 2.22 Mow up and down slopes, not across.
- 2.23 Watch for holes, ruts, bumps, rocks, or other hidden objects that tall grass can obscure. Uneven terrain could overturn the machine.
- 2.24 Choose a low ground speed when operating the machine on a slope.
- 2.25 Do not mow on wet grass, the tires may lose traction.
- 2.26 Do not attempt to coast down a slope in the neutral position.
- 2.27 Avoid starting, stopping, or turning on a slope. If the tires lose traction, disengage the blades and proceed slowly, straight down the slope.
- 2.28 Keep all movement on slopes slow and gradual. Sudden changes in speed or direction could cause the machine to roll over.
- 2.29 Use extra care while operating machine with grass catchers or other attachments: they can affect the stability of the machine. Do not use on steep slopes.
- 2.30 Do not try to stabilize the machine by putting your foot on the ground.
- 2.31 Do not mow near drop offs, ditches or embankments. The machine could suddenly roll over if a wheel goes over the edge or the edge caves in.
- 2.32 Be aware of what is located at the bottom of slopes. For example: rocks water, cliffs, and roadways.

## CHILDREN

Tragic accidents can occur if the operator is not alert to the presence of children. Children are often attracted to the machine and the mowing activity. NEVER assume that children will remain where you last saw them.

- 2.33 Keep children out of the mowing area and in the watchful care of a responsible adult other than the operator.**
- 2.34 Maintain alertness and turn machine off if a child enters the area.**
- 2.35 Before and while backing, look behind and down for small children.**
- 2.36 Never carry children, even with the blades shut off. They may fall off and be seriously injured or interfere with safe machine operation. Children who have been given rides in the past may suddenly appear in the mowing area for another ride and be run over or backed over by the machine.**
- 2.37 Never allow children to operate the machine.**
- 2.38 Never leave key in the ignition, especially around children.**
- 2.39 Use extreme care when approaching blind corners, shrubs, trees, or other objects that may block your view of a child.**

## TOWING

- 2.40 Tow only with a machine that has a hitch specifically designed for towing. Do not attach towed equipment except at the hitch point.
- 2.41 Follow the manufacturer's recommendation for weight limits for towed equipment and towing on slopes.
- 2.42 Never allow children or others in or on towed equipment.
- 2.43 On slopes, the weight of the towed equipment may cause loss of traction and loss of control.
- 2.44 Travel slowly and allow extra distance to stop.



---

## **SERVICE:**

### **SAFE HANDLING OF GASOLINE**

To avoid personal injury or property damage, use extreme care in handling gasoline. Gasoline is extremely flammable and the vapors are explosive.

- 2.45 Extinguish all cigarettes, cigars, pipes, and all other sources of ignition.
- 2.46 Use only an approved gasoline container.
- 2.47 Never remove gas cap or add fuel with the engine running.
- 2.48 Allow engine to cool before refueling.
- 2.49 Never fuel the machine indoors.
- 2.50 Do not store machine near open flame or source of ignition, such as a water heater or furnace.
- 2.51 Remove gas powered equipment from the truck or trailer and refuel it on the ground. If this is not possible, then refuel such equipment with a portable container, rather than from a gasoline dispenser nozzle.
- 2.52 Never fill gasoline containers inside a vehicle or on a truck or trailer bed with a plastic liner. Always place containers on the ground away from your vehicle before filling.
- 2.53 Keep the nozzle in contact with the rim of the fuel tank or container opening at all times until the fueling is complete. Do not use a nozzle lock-open device.
- 2.54 If fuel is spilled on clothing, change clothing immediately.
- 2.55 Never overfill fuel tank. Replace gas cap and tighten securely.

### **GENERAL SERVICE**

- 2.56 Never operate machine in a closed area where dangerous carbon monoxide fumes can collect.
- 2.57 Keep all nuts and bolts tight to be sure the equipment is in safe working condition. Never operate a poorly maintained machine.
- 2.58 Do not touch hot areas of the machine.
- 2.59 Never interfere with the intended function of a safety device or reduce the protection provided by a safety device. Check their proper operation regularly.
- 2.60 Keep the entire machine free of grass, leaves, or other debris build up. Clean up oil or fuel spillage and remove any fuel soaked debris. Failure to do so can affect the safety and functionality of the machine, as well as increase the danger of a fire due to contact with the hot surfaces of the machine.
- 2.61 Allow machine to cool before storing.
- 2.62 If you strike something with the mower, turn the mower and blades off, engage the parking brake, and inspect the machine for damage. Repair, if necessary, before resuming.
- 2.63 Never make any adjustments or repairs with the engine running.
- 2.64 Check grass catcher components and the discharge guard frequently and replace with manufacturer's recommended parts, when necessary.
- 2.65 Mower blades are sharp. Wrap the blade or wear gloves before servicing them.
- 2.66 Check parking brake operation frequently. Adjust and service as required.
- 2.67 Maintain or replace safety and instruction labels, as necessary.
- 2.68 Do not attempt to mount a tire without the proper equipment and experience to perform the job.

- 
- 2.69 Always maintain the correct tire pressure. Do not inflate the tires above the recommended pressure. Never weld or heat a wheel and tire assembly. The heat can cause an increase in air pressure resulting in a tire explosion. Welding can structurally weaken or deform the wheel.
  - 2.70 Park machine on level ground. Never allow untrained personnel to service machine. Understand service procedure before doing work.

## SAFETY INTERLOCK SYSTEM

Your Bad Boy mower is equipped with a safety interlock system. This system is designed to prevent serious injury or death to the operator and other people or property damage. The system consists of an operator presence switch in the seat, the parking brake, drive lever neutral position, the mower blade engagement switch, and the ignition switch.

These interlocks are vitally important and must be tested frequently. Following are instructions to test these very important safety precautions. **Note: the operator must be seated properly on the machine during these tests and the engine should have been previously allowed to warm to operating temperature.**

- 2.71 With the parking brake engaged, bring lever arms to their inward position, then attempt to start the machine (the blade actuator should be in off position); the engine should not start.
- 2.72 On a level surface, disengage the parking brake and place lever arms to their outward position, then attempt to start the machine (the blade actuator should be in off position); the engine should not start.
- 2.73 Engage parking brake and leave lever arms in outward position, put blade actuator in the on position, then attempt to start the machine; the engine should not start.
- 2.74 Next, start the engine as stated in the "Mower Operation Section", disengage parking brake, and Very Slowly begin to rise from the seat; the engine should stop.

If any of these tests fail to produce the results indicated and the problem cannot be identified, contact your Bad Boy Mower dealer or the support contacts in the rear of this manual.

## ROLL OVER PROTECTION STRUCTURES (ROPS)

If your machine is equipped with ROPS, it is of utmost importance they are used properly. ROPS, when used correctly, dramatically decrease the fatality rate in instances when the machine overturns.

- 2.75 Periodically ensure the bolts that attach the ROPS to the machine are securely fastened.
- 2.76 Always operated the machine with the ROPS secured in the upright position.
- 2.77 If the surrounding environment (e.g. low lying limbs, signage, etc.) makes it impossible to mow with the ROPS upright, lower the ROPS at the hinge point, mow the area, then immediately secure the ROPS upright.
- 2.78 Upright ROPS are taller than then operators head. Be aware of this and your surrounding environment, as referenced above. The mower and operator may clear low lying items, but the ROPS may not.
- 2.79 Always wear the provided seat belt when ROPS are utilized. Failure to use the seat belt severely handicaps the safety benefits of the ROPS.
- 2.80 In the event of a roll-over, replace the ROPS before resuming use of the machine.





---

## SECTION 3: MOWER OPERATION

***Never operate the machine with faulty equipment. Always be alert of sudden changes in landscape, as the mower will react differently on slopes or embankments than it will on flat surfaces. Never operate the mower with the discharge chute open. Do not cross terrain, other than grass, with blades turning. This could cause damage to property or bystanders.***

- 3.1 Place parking brake in up position
- 3.2 Drive arms must be in the “open” position. While sitting on the machine, each arm is positioned away from the operator, to the right and left. Drive arms will lock into place and must be in this position to start machine.
- 3.3 Put PTO switch in the OFF position.
- 3.4 If your machine has been equipped with a ROPS (Roll Over Protection System) then you must fasten seatbelt.
- 3.5 If machine has not been started recently, engage the choke.
- 3.6 Make sure nothing is under or around machine.
- 3.7 Place key in ignition and turn.
- 3.8 Once machine is started, disengage the choke.
- 3.9 Increase RPM by sliding the throttle to fast position, toward the rabbit.
- 3.10 Owners must become familiar with the controls before operating a zero-turn radius vehicle.
- 3.11 Start slowly and build your skill level. Have ample practice before using the machine at full capabilities.
- 3.12 Be comfortable with machine before engaging blades. Know what each component controls before using machine.
- 3.13 Your mower will perform differently on an incline /decline. Be cautious, slow down, and do not make any sudden jerking movements with control arms. The machine could lose traction on a decline or tip backwards on an incline.
- 3.14 Once you become comfortable with your Bad Boy Mower you will notice your overall mowing time will decrease.

***Avoid operating your mower on side hills of over 5 degrees,  
inclines of over 10 degrees,  
and declines of over 15 degrees.***

---

## SECTION 4: MOWER MAINTENANCE

*\*\*Check each and provide maintenance when needed.*

### DAILY

- 4.1 Check Engine Oil
- 4.2 Check Engine Air Filter
- 4.3 Tire Pressure
- 4.4 Inspect Blades

***Within FIRST five hours of usage, change engine oil and filter***

### EVERY 30 HOURS OF USAGE

- 4.5 Grease Machine

### EVERY 50 HOURS OF USAGE

- 4.6 Change Engine Oil and Filters

***Check filters once a year if under 50 hours***

***Check air and fuel filters more often in dry, dusty conditions***

***Within FIRST 50 hours of usage, change hydraulic oil and filters***

### EVERY 250 HOURS OF USAGE

- 4.7 Change Hydraulic Fluid and Filters
- 4.8 Refer to manufacturer manual for specific information on maintenance schedules.

## SECTION 5: MOWER STORAGE & TRANSPORTATION

- 5.1 Keep machine from collecting debris by storing in a covered area while not in use.
- 5.2 Fuel can harm your machine if left for more than 30 days without changing, especially if the fuel contains ethanol. Never use fuel with more than 10% ethanol by volume. E-15 is not permitted.
- 5.3 Disconnect the negative battery cable when machine will be stored for more than 30 days.
- 5.4 Always secure machine properly when transporting machine.
- 5.5 Do not load machine on trailer with blades engaged.
- 5.6 Do not use ramps to load the machine.
- 5.7 Make sure Parking Brake is in “up” position.
- 5.8 In wet conditions tires may spin while loading / unloading. If necessary, wait for dry conditions before loading / unloading.
- 5.9 Make sure mode of transportation is suitable to bear the weight of mower.
- 5.10 Deck height should be set at maximum before attempting to load.
- 5.11 Secure mower with at least two straps capable of securing weight of mower.



---

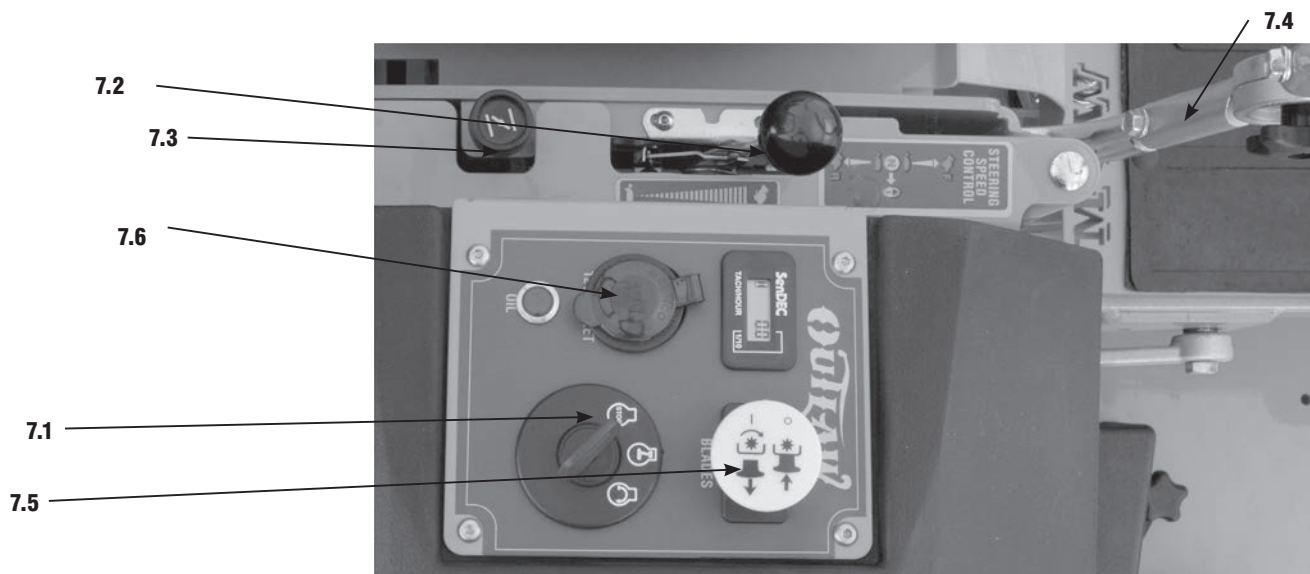
## SECTION 6: TROUBLESHOOTING

- 6.1 **Q:** *How do I prevent an uneven cutting pattern and increase the quality of cut?*
- 6.1 **A:** Check tire pressure, check blade sharpness (replace blades or sharpen at least once per year or when needed), make sure blades are tightened properly, check spring and belt tension, check the underside of the deck to ensure the mower deck is free of grass build-up and debris, make sure your machine is at full throttle, and vary your mowing pattern each time you cut your grass.
- 6.2 **Q:** *What should I do if my mower won't start?*
- 6.2 **A:** Check battery charge and connection (grounds), check your fuel (make sure fuel is less than 30 days old and contains no water), make sure your spark plug is in good condition and spark plug wire is attached, and make sure air filter is clean (a dirty filter makes it more difficult for the engine to draw air). Check for broken wires or bad connections.
- 6.3 **Q:** *What should I do if the blades won't engage?*
- 6.3 **A:** Make sure the safety switch is plugged in on the bottom of seat. Check the underside of the PTO engager to ensure the plug is secure at switch. Also check PTO fuse underneath operator console (10amps)
- 6.4 **Q:** *What type of fuel is recommended for my mower?*
- 6.4 **A:** We recommend that you use a name brand fuel to ensure quality. Use fuel with an octane rating near 87. Higher octane fuels offer no benefit. Only fuels with an ethanol content of 10% or less may be used. E-15 is not permitted.
- 6.5 **Q:** *Do you offer touch-up paint for your mowers?*
- 6.5 **A:** Touch-up paint is available. Contact your local dealer for more information.

---

## SECTION 7: CONTROLS

- 7.1 **Ignition Switch**—Bad Boy Mowers have a three position ignition switch: off, run, and start. With key inserted, rotate it clockwise to START position and release key when engine starts, and switch will automatically return to the RUN position.
- 7.2 **Throttle Control**—A cable is connected to the engine throttle for controlling engine speed. Move lever forward to increase engine rpm, move lever backward to decrease engine rpm.
- 7.3 **Choke Control**—A cable is linked to manually operate the engine choke. When the lever is in the down position, the choke is in the off (run) position. When the lever is pulled up, the choke is in the on (start) position. Do not operate the machine in the on (start) position. The choke lever is behind the throttle control.
- 7.4 **Control Levers**—These levers control the mower's speed, direction, and neutral lock. These levers are used to steer, accelerate, decelerate and change direction. (Drive Arms)
- 7.5 **Blade Engage Switch**—This switch engages the blades. Pull the switch up to engage the blades and push the switch down to disengage the blades.
- 7.6 **12V Charger**—Charge MP3 players or Phones while working.





---

## SECTION 8: MOVING INOPERABLE MOWER

- 8.1 Do not tow machine. Use a winch to load on a trailer for transporting.
- 8.2 **ATTENTION:** RETURN BYPASS VALVES TO OPERATING POSITION BEFORE RUNNING MOWER FOLLOWING REPAIRS.
- 8.3 If it is necessary to move mower when the engine is inoperable, the hydraulic drive pumps are equipped with bypass valves. Before moving the mower, turn the bypass valves counterclockwise one-half to one revolution. The valve stems on each pump are located near the top and are identified as a hex stud.
- 8.4 Your Bad Boy Mower Weighs:      **OUTLAW SERIES:**      **1180—1310 lbs**  
*\*\*\* Weights fluctuate with the addition of accessories.*
- 8.5 As you can see by the weights of the machines, you shouldn't ever try to push or pull a Bad Boy Mower by hand. This could cause serious bodily injury.
- 8.6 Hopefully, you'll never need to use this section of the manual. However, if you do, use extreme caution when moving machine!

## SECTION 9: INSTRUMENTATION

- 9.1 **Electronic Hour Meter**—Registers Hour increments up to 9,999.9 total hours. This meter records the cumulative time the engine is running.

---

## SECTION 10: MOWER BLADE MAINTENANCE

- 10.1 Check mower blades after each use. This is essential for maintaining well-groomed turf. Keep the blades sharp. If a dull blade is used for cutting, the grass will tear rather than cut. This could damage the grass leaving a brown frayed top on the grass within a few hours. A dull blade will also require more power from the engine.
- 10.2 NEVER attempt to straighten a bent blade by heating. NEVER attempt to weld a cracked blade. The blades can break and cause serious injury or death.
- 10.3 NEVER work with blades while engine is running or deck clutch is engaged.
- 10.4 ALWAYS place deck clutch in DISENGAGE position while performing maintenance.
- 10.5 Use blocks when you MUST work under mower.
- 10.6 ALWAYS wear thick gloves when handling blades.
- 10.7 ALWAYS check for blade damage if mower strikes rock, branch, or other objects that could potentially damage the blade.

***(REMEMBER: NEVER CHECK BLADE WHILE ENGINE IS ON!  
NEVER CHECK BLADES WHILE BLADES ARE ENGAGED!)***

## SECTION 11: GREASING THE BEARINGS

- 11.1 Park the machine on a level surface and disengage the blade control switch.
- 11.2 Move the motion control levers outward to the neutral position, engage parking brake, stop the engine, remove the key, and wait for all moving parts to stop before leaving the operating position.
- 11.3 Grease Type: NLGI grade #2 multi-purpose gun grease. Grease the front caster pivots. 11.4 Clean the grease fittings with a cloth. Scrape any paint off the front of the fitting(s).
- 11.5 Connect a grease gun to each fitting. Pump grease in fittings until grease begins to seep out of the bearings. Wipe up excess grease.
- 11.6 Refer to service manual section for grease fitting locations.



---

## HOW TO CHOOSE THE RIGHT BLADE

Essentially there are only TWO basic styles of mowing blades used or approved for use on our current products:

- 1) The standard style of mowing blade is essentially designed for cutting grass and effectively discharging the clippings out from the deck to fall onto the lawn or to be captured in a grass collection system. Standard blades are also referred to as “2-in-1” (discharging & bagging ) or “high-lift” blades (because they are designed to create a higher-lifting airflow).
- 2) Mulching blades generally have a more curved style surface and frequently include extra cutting surfaces along the blade edges. These blades may also come in a “+” design (which is actually two individual blades arranged in a perpendicular fashion to enhance mulching). The “+” blades are usually found on older style mowers; newer ones utilize blades with more advanced mulching technology. Mulching blades may also be referred to as “3-in-1” (mulching, discharging & bagging) or “all-purpose” blades.

Bear in mind that the re-circulating airflow design of 3/1 blades makes them less efficient at discharging grass clippings than a standard 2/1 blade. As with most all-purpose tools, there is some give and take as opposed to using a tool designed for a more specific purpose.

If you’re experiencing less-than-desired cutting or discharging performance with a 3/1 blade, you may want to check into using a 2/1 blade. Conversely, if you’re using a 2/1 blade and want to mulch clippings, you should see about the availability of mulching blades or a mulching kit.\*

The type of blade installed on a new mower is a decision the retailer makes for each model of mower, based on the expected needs of most customers. If you’re unsure of which blade is on a particular model, inspect the blade. Blades have part numbers stamped into them. Then compare these part numbers with the unit’s Operator’s Manual or Parts List.

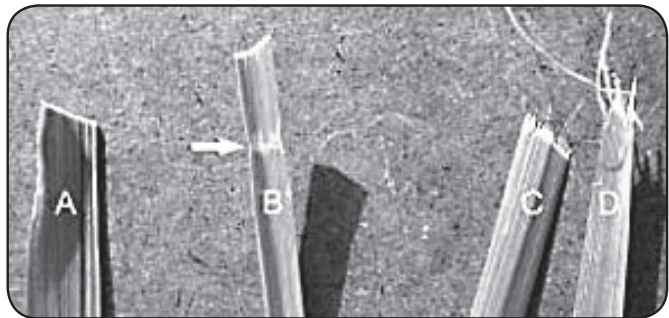
It is true there are many other styles of blades available. But since we don’t manufacture or recommend using these other aftermarket styles, we will leave them out of this discussion. Should you want more information on special application or aftermarket blades, you should contact the companies that make these products. NOTE: Customers using non-OEM blades do so at their own risk. The use of unapproved (non-OEM) blades may void any or all of the mower and engine factory warranties.

\* **MULCHING KITS** – These generally consist of mulching blades and a mulching plug (which closes off the discharge opening to keep the clippings contained under the deck for re-cutting) plus any necessary hardware for installation. Please check with your parts distributor regarding the contents of a particular mulching kit.

---

## MOWING TIPS:

- Mow header strips at the ends of the lawn and around flower beds first. Make them wide enough that you can turn the mower around in the already mown section. Then mow back and forth between these header strips overlapping each lap by about 1/8 the width of the mower's deck.
- Don't cut your grass too short, particular for cool season grasses. Higher heights usually provide for a deeper root system, looks better, and is less likely to have weeds invading, particularly crabgrass.
- Don't remove any more than one third of the grass leaf at any one cutting. If circumstances arise that a lawn gets too tall and you just have to lop off a bunch to get caught up, bite the bullet and break it down into several mowings to get caught up with 3 or so days between cuttings.
- **NEVER SCALP YOUR LAWN.** Scalping severely damages the root system to such a degree that it may die.
- Avoid mowing when the grass is wet or when it's dark
- Avoid throwing grass clippings into the street and driveway where they can be washed into the sewer system. After mowing, clean up driveway and walkways.
- When mowing remove only a third with each cutting (except for the first mowing of the season when it's ok to remove more). You can safely leave clippings that will quickly decompose and add nutrients back into the soil. Contrary to popular opinion, grass clippings do not add to thatch buildup. Grass blades are made up of about 75% water.
- Mow your lawn in a different direction with each mowing, especially with lawns of shorter grass types. Altering the direction ensures a more even cut since grass blades will grow more erect and less likely to develop into a set pattern.
- Keep your mower's blade sharp, which means having it sharpened several times during the mowing season. Keep several blades around so you'll always have a sharp one on hand. Sharp blades cut the grass cleanly and help mulch clippings into small pieces which break down quickly.
- Don't forget to change your mower's oil at least once during the mowing season. For brand new mowers, change the oil after about 5 hours of operation during the initial break-in period.
- At the end of the mowing season use a fuel stabilizer in the remaining gasoline
- In the spring, don't use that old gas unless you properly used a fuel stabilizer, it can cause a number of problems. Better to use fresh gasoline to begin the new mowing season.
- **Leaf blade A** demonstrates what a leaf blade should look like after mowing with a sharp blade.
- **Leaf blade B** demonstrates a leaf blade that was injured by a dull mower blade.
- **Leaf blade C** was cut by the mower but indicates that the mower blade is not sharp enough. The shredded white tissue protruding from the leaf blades C and D is the vascular tissue of the plant.
- **Leaf blade D** has been mown for quite some time with a dull mower blade.



## *To bag or mulch?*

Grass clippings do not contribute to thatch buildup or increase the chances of disease. If you mow your lawn at the right height, without removing any more than 1/3 of it's total height, clippings will quickly breakdown without a trace. These clippings contribute additional nitrogen and other nutrients to the soil and supply it with additional organic materials. Clippings from a 1000 sq. ft. lawn can add as much as 1 - 2 pounds of nitrogen back into the soil.

If you have a compost pile, then you may want to bag your clippings occasionally to add much needed green-matter to the compost pile. Make sure it is mixed thoroughly with brown matter to avoid a strong ammonia odor. **DO NOT COMPOST CLIPPINGS** after applying any weed control or weed-feed type product. Before adding clippings to the compost pile wait at least 3 mowings after these products have been applied.

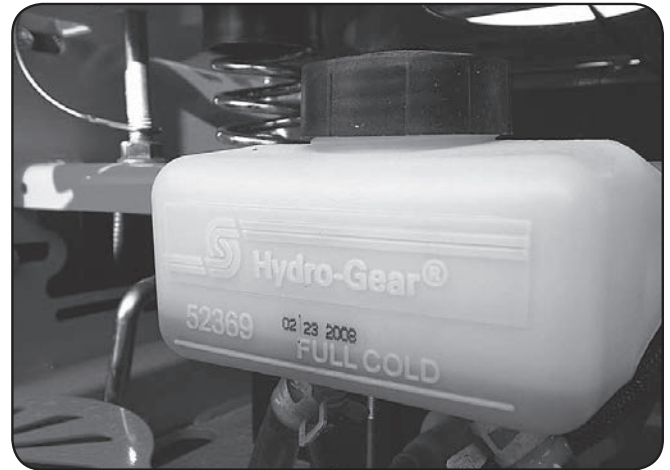




# SERVICE SECTION

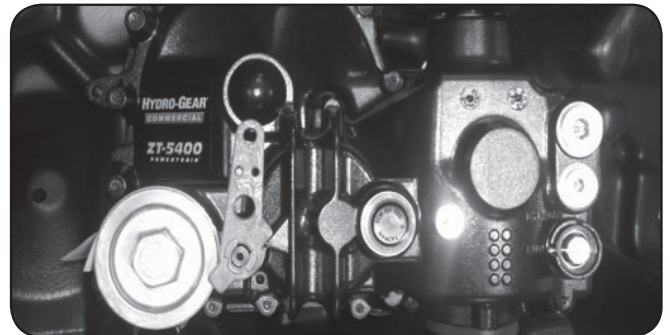
## SECTION 1: HYDROSTATIC SYSTEM

The hydro overflow tank on the Outlaw model is located on each side of rear cover. Notice the “full cold” line at the bottom of the tank. Use only 20w50 motor oil in this tank. Conventional or synthetic oil may be used.



To change filter started by removing cover. The filter also serves as the oil drain. Each transaxle holds about 4 quarts of hydro oil. Reinstall new filters use only Hydro-gear brand filter. Using other brands could void the warranty. Transaxle service is recommended after the first 100 hours and then every 400 hours.

Shown right is the 5400 Outlaw transaxle. The large cap on the lower left is the filter housing cap.



5400 filter housing cap. (do not over tighten)

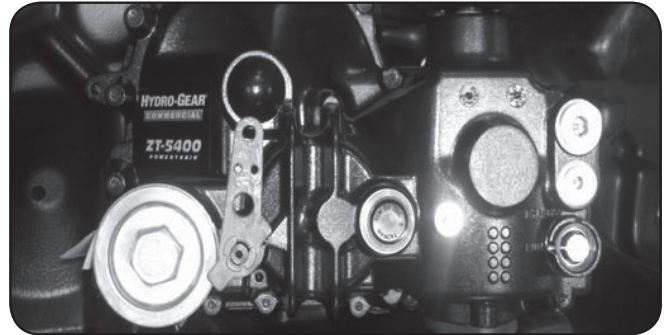
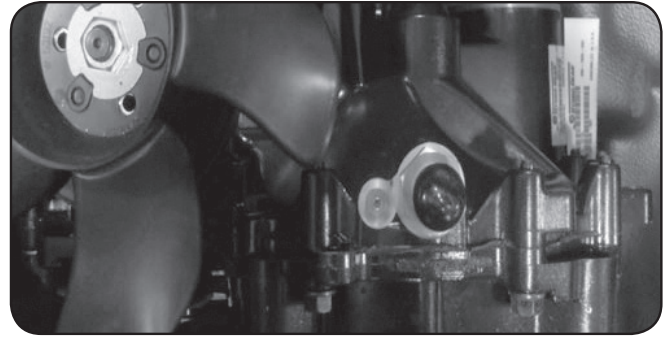


---

The check plug is located at the top center of the inside case of each transaxle (outlaw transaxles have this plug on the top). The transaxle can be filled with oil by removing these check plugs from both transaxles and pouring the oil in the hydro overflow tank, located behind the seat. Oil will begin to run out of the check plug holes when the transaxles are full. Use only 20w50 motor oil in the hydro system. Fill plug on top of Outlaw 5400

Once the system is filled with oil, lift rear of mower until rear tires are off the ground. Start engine, release parking brake, stay clear of moving rear tires.

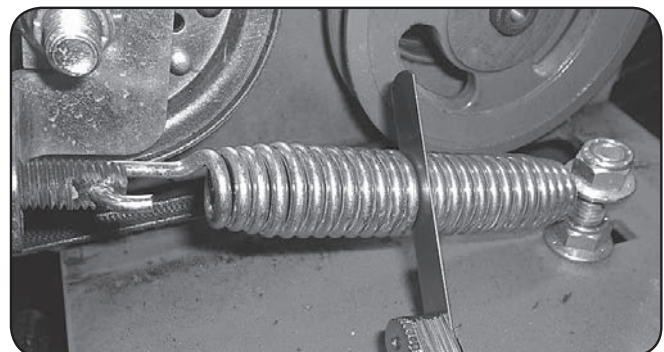
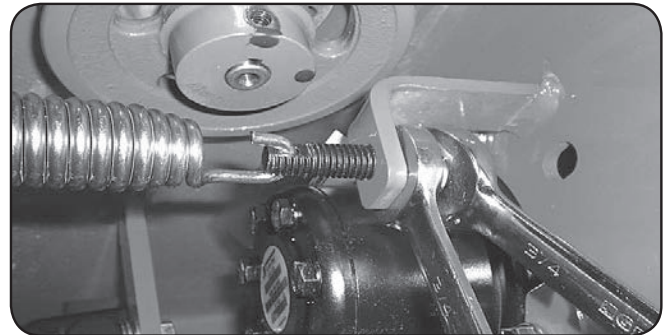
Next, move the drive arms forward and backwards slowly. Each transaxle has a relief valve which can be used to release trapped air in the system and as a neutral for moving the mower without the engine running. (located in the lower right picture #2) It may be necessary to add more oil to the hydro overflow tank after 10-15 minutes of running.



## SECTION 2: DRIVE BELT

Shown on the right is a typical pump belt tensioner for your model mower.

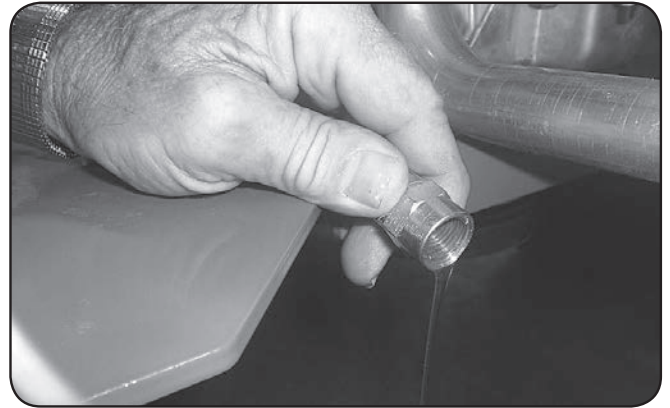
Tightening the two 3/4" jam nuts on the right side will increase the belt tension on all models. Factory setting is about .030" (about the thickness of a credit card) between coils as shown.



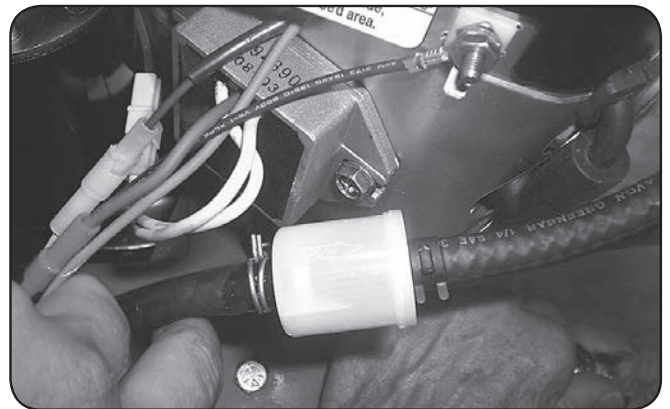


## SECTION 3: ENGINE

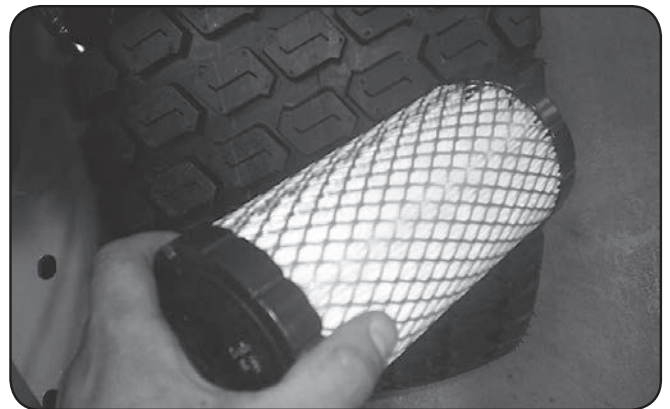
Most models have a drain hose installed on the engine, for easier oil changes. All gas engines used by Bad Boy use 10w30 and have an oil capacity of 2 quarts. Bad Boy recommends that the oil and filter be changed every 50 hours of usage.



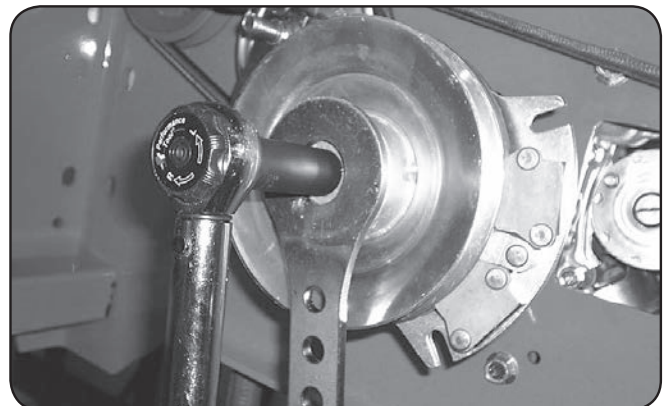
The fuel filter is located in the fuel line about 12" from the carburetor on the side of the engine. Note the direction of flow on the side of the filter. Replace once a year.



Remove and inspect air cleaner weekly. (More often in dusty conditions). Do not blow filter out with air pressure, this will cause the filter to be filled with tiny holes that will allow dirt to enter. Instead, tap filter on side to remove any debris. Replace at least once a year, more often in dusty conditions



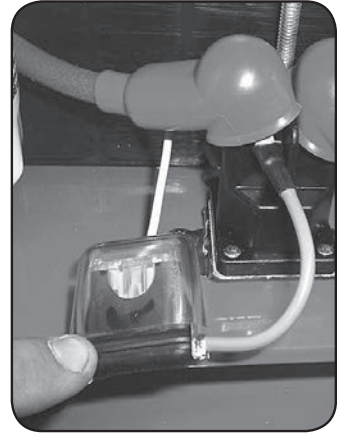
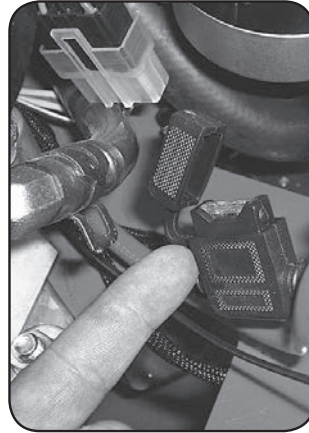
Torque the clutch bolt to 50 ft. lbs. on all models.  
Re-torque at every oil change.  
(All Models)



---

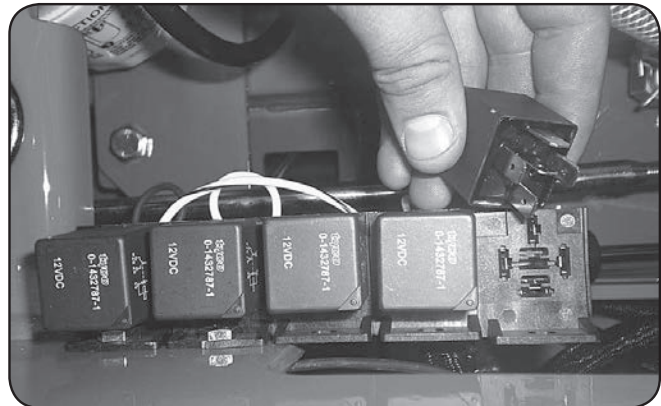
## SECTION 4: ELECTRICAL SYSTEM

On most larger commercial engines (27 hp and up), the 25 amp main fuse is located about 3" from the starter on the engine. (shown in first image on right). On smaller commercial and light duty commercial mowers, the 25 amp main fuse is located just behind the battery connected to the starter solenoid. (Shown in second image on right).

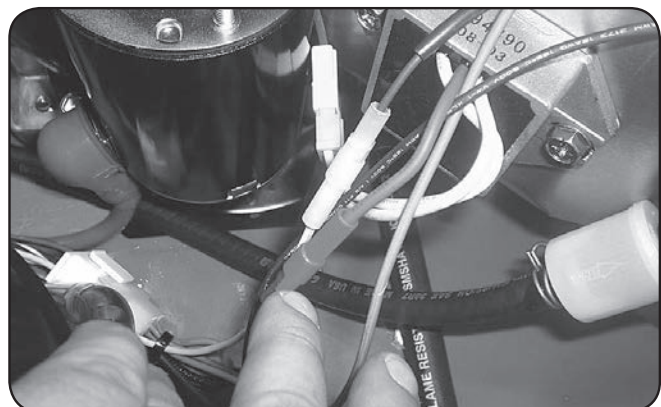


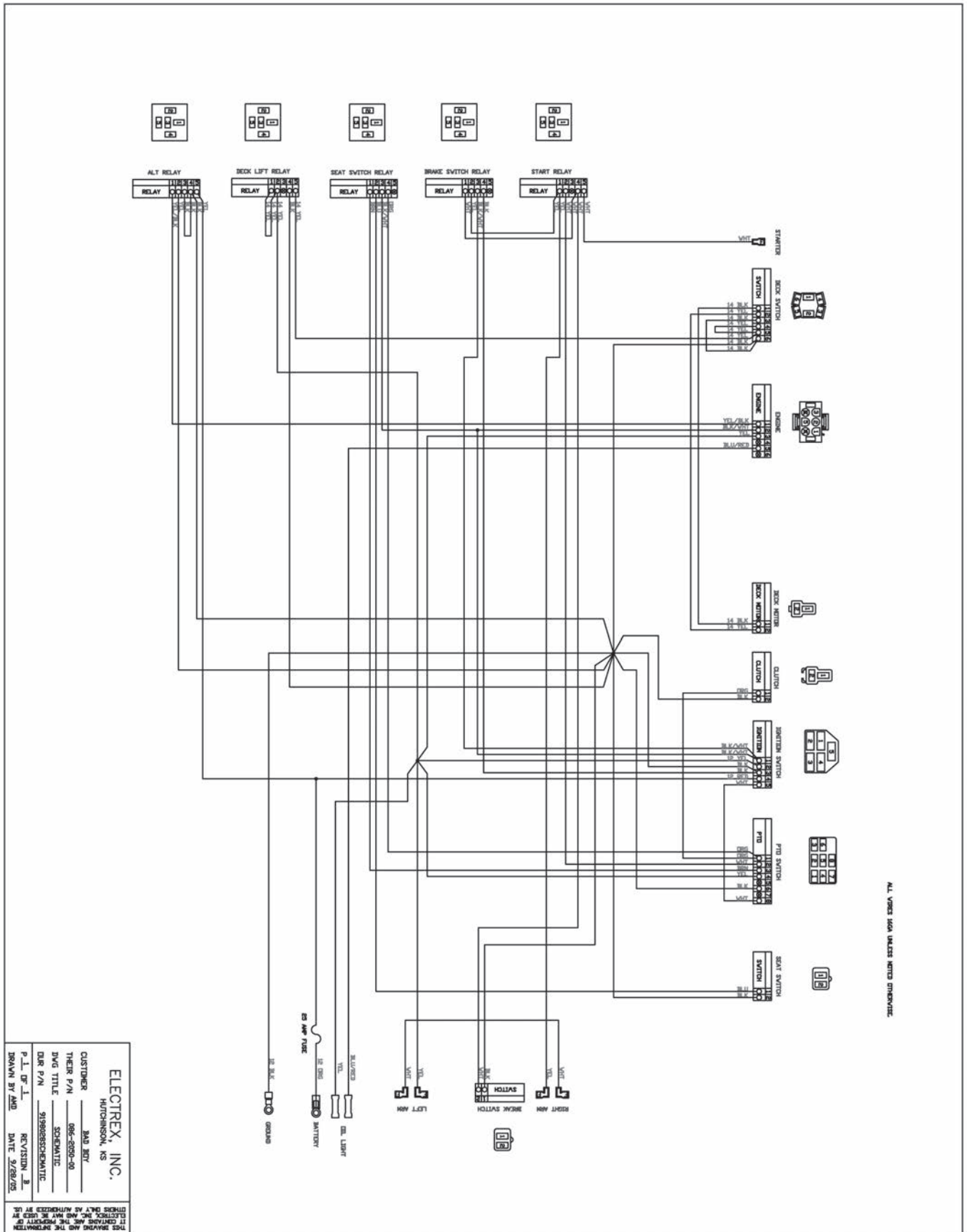
Always check the condition of the wiring harness ground cable. Ensure that the ground is connected, clean, and tight. On most models, the ground wire is connected to the negative side of the battery.

Check the condition and connection of the relays located under the seat. Ensure that they are clean and connected. Make sure that wire terminal ends have not been pushed out of the relay block.



On most models, the red wire coming out of the engine is the charging wire from the alternator. Check for 13.6—14.2 volts DC at this wire with engine at full throttle.





ELECTREX, INC.  
 HUTCHINSON, KS  
 340 307  
 094-650-00  
 SCHEMATIC  
 919883SCHEMATIC  
 REVISION 3  
 DATE 3/28/05  
 DRAWN BY AMB

THIS DRAWING AND THE INFORMATION IT CONTAINS ARE THE PROPERTY OF ELECTREX, INC. AND ARE NOT TO BE REPRODUCED OR TRANSMITTED IN ANY FORM OR BY ANY MEANS, ELECTRONIC OR MECHANICAL, WITHOUT PERMISSION IN WRITING FROM ELECTREX, INC.

---

## SECTION 5: FRAME

For non-suspension models, torque front fork castle nut to 40 ft. lbs. Be sure to spin the fork while torquing the nut to ensure that no bearing damage is done.



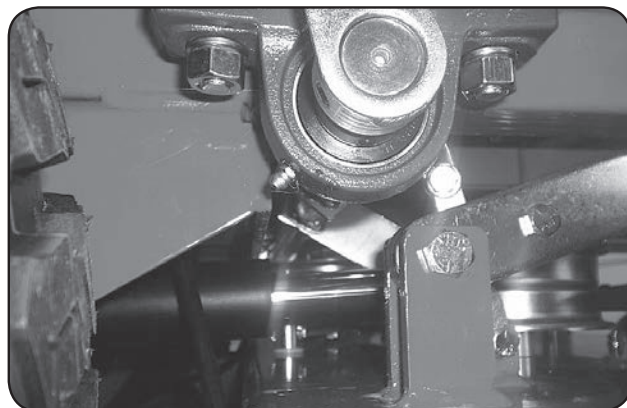
Torque rear wheel lugs to 65-75 ft. lbs.  
Re-torque at every oil change.



There is one grease fitting in each front wheel and one in each front caster bearing housing. Grease at every engine oil change.

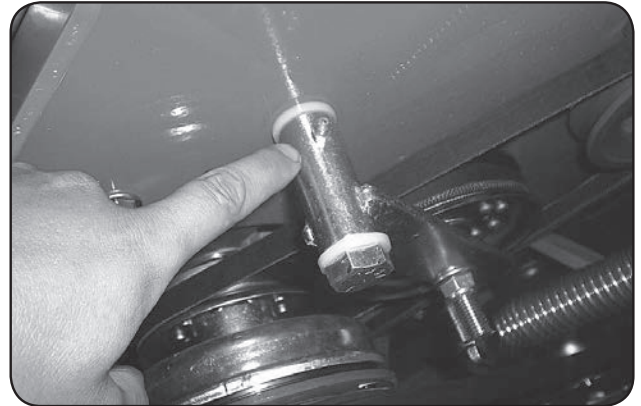


There is one grease fitting on each of the actuator bar pillow blocks located under the fuel tanks. Grease twice a season.

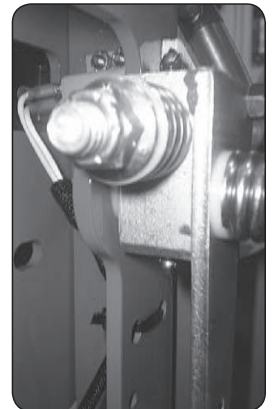
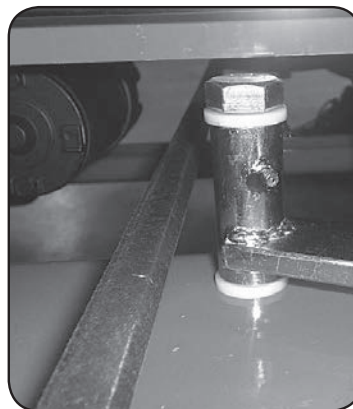




The pump belt tensioner is located under the engine and has a grease fitting at its pivot point. Grease at every engine oil change.



The deck belt tensioner is located at the rear of the deck and has a grease fitting on its pivot point. Grease at every engine oil change.



The control arm blocks have grease fittings located on the top of each block. Grease one time a year.

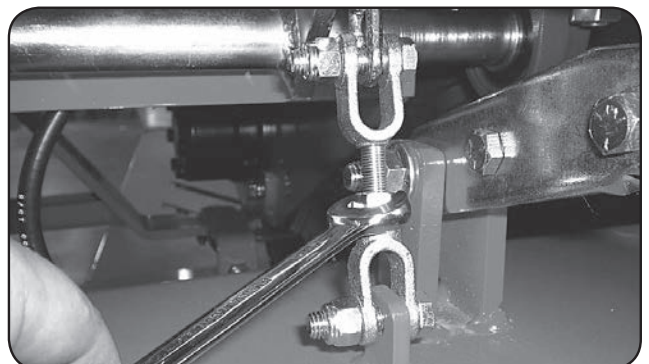
## SECTION 6: CUTTING DECK

To remove the deck belt, lift up on the belt while rotating the pulley to roll the belt up and off of the pulley. (be sure not to get your fingers between belt and pulley).



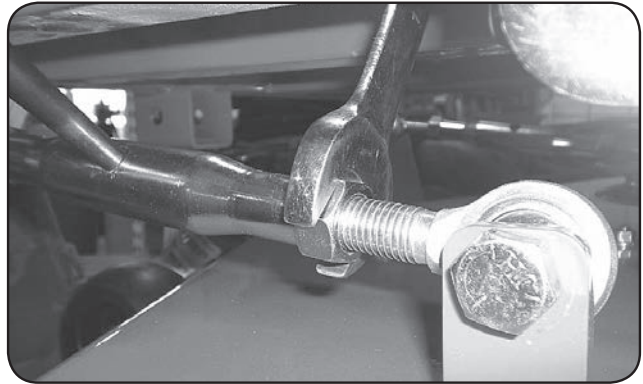
To check the level of the deck, start on a flat surface and set the air pressure in all four tires. Raise the deck up, and measure all four corners of the deck to see if it is level from left to right and front to back. All decks should be level from left to right and have a 1/8" pitch down in the front.

If deck adjustments are necessary, start with the chain length adjusters. These adjusters affect the overall height of the deck and the level from left to right.

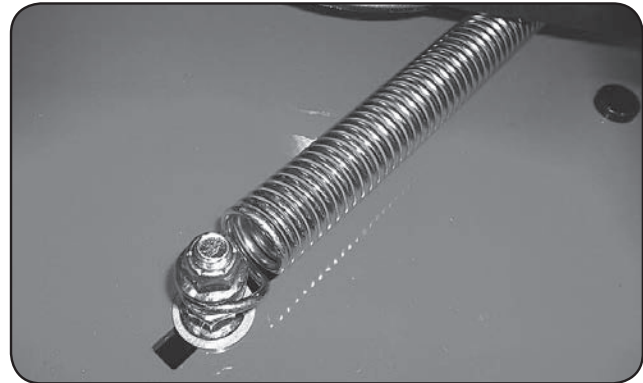


---

The large turn buckles on the front of the deck only affect the pitch of the deck or the level from front to back.



The deck spring tension is critical. If the tension is too much, it will cause the spring to break. If too loose, the belt can jump off or slip on the pulleys and cause a cut quality issue. With the deck up, the spring coil gap should be about .025" - .030" (about the thickness of a credit card). Spring tension adjustments can be made by sliding the bolt shown above forward or backward in the slot of the deck.



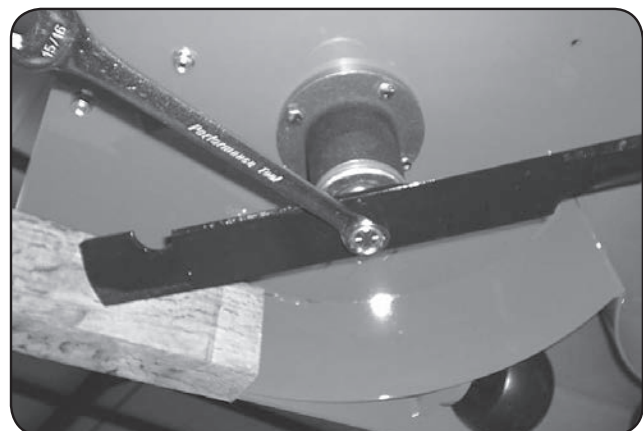
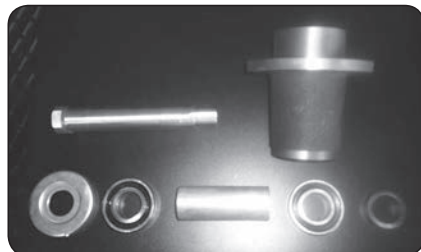
The condition of the blades can drastically affect the cut quality of the mower deck. Replace as necessary. These blades were used considerably too long. Resharpener is recommended by professionals only to determine when the blade needs to be replaced and because of the need for rebalancing.



To change blades, it may be easier to use a piece of wood to keep the blade from turning so that the bolt can be loosened.

**Bolts used have standard threads.** Re-torque the blade bolts to 90-110 lbs. The blade spindles contain a sealed ball bearing in the top and bottom of the spindle. The bearings

are replaceable for a more cost effective repair.

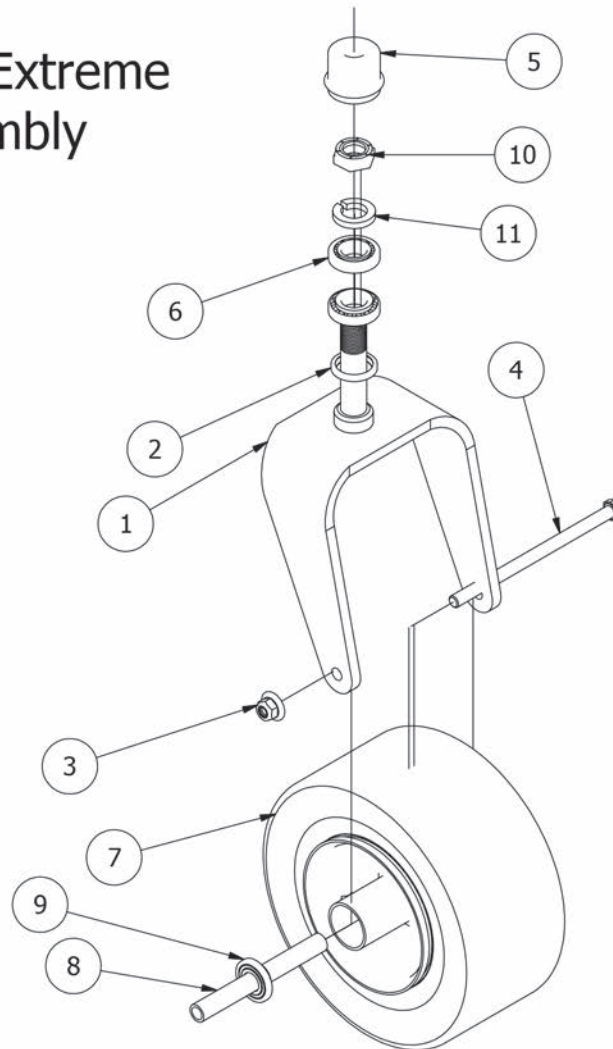




# PARTS SECTION

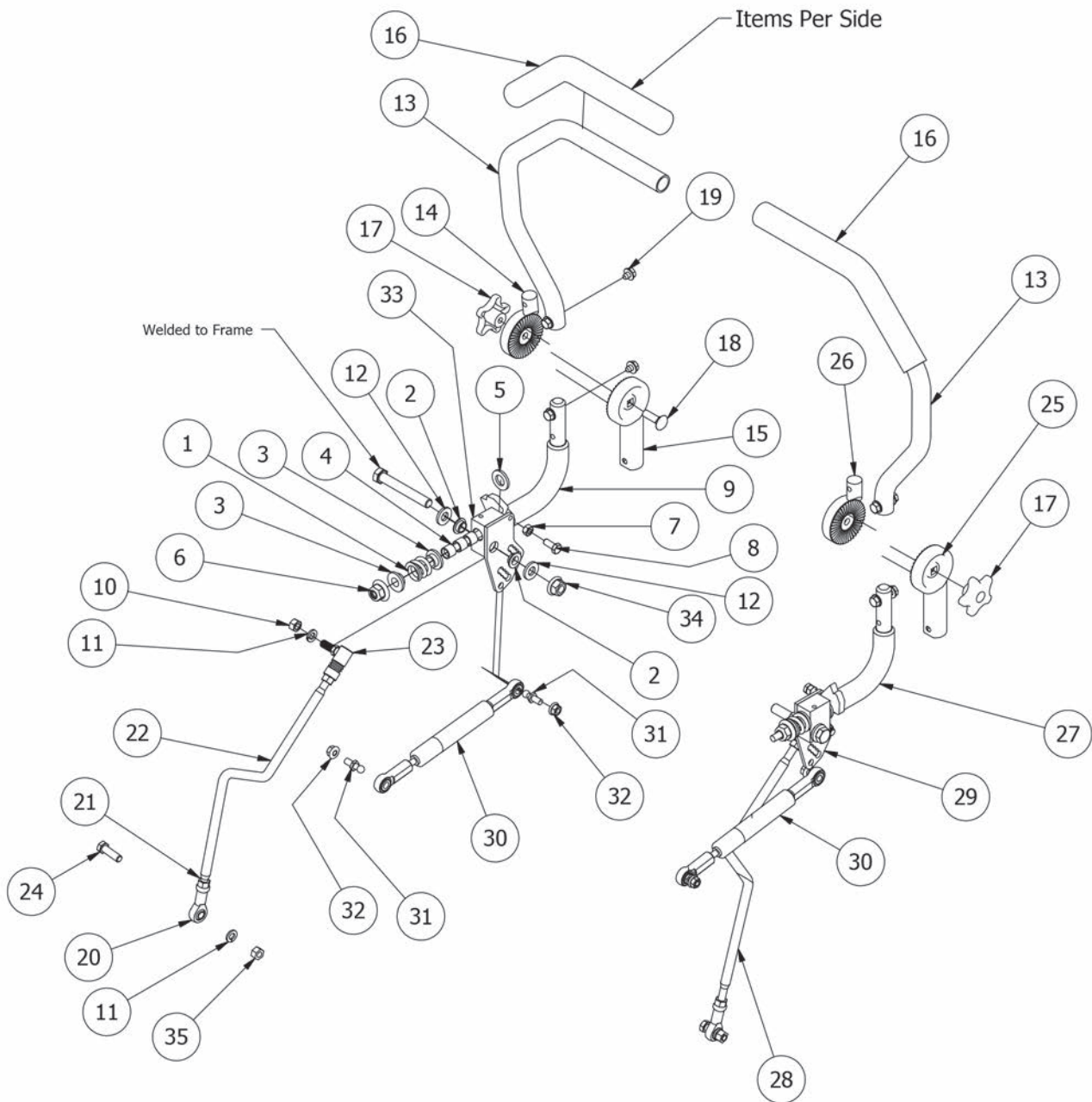


## Outlaw & Outlaw Extreme Front Wheel Assembly



Front Wheel Assembly			
ITEM	QTY	PART NUMBER	DESCRIPTION
1	1	023-7913-00	Front Fork
2	1	012-7003-00	Seal
3	1	013-8050-00	1/2-13 Nylon Flange Nut-Orange
4	1	018-7010-00	1/2" x 9" Bolt
5	1	014-7005-00	Dust Cover
6	2	010-7001-00	Bearing
7	1	022-3060-00	Tire and wheel assembly
8	1	025-5202-00	Front Wheel Spanner
9	2	022-7010-00	Wheel Bearing
10	1	013-9004-00	1" Fine Thread 1/2 Nut
11	1	019-3000-00	1" Lock Washer

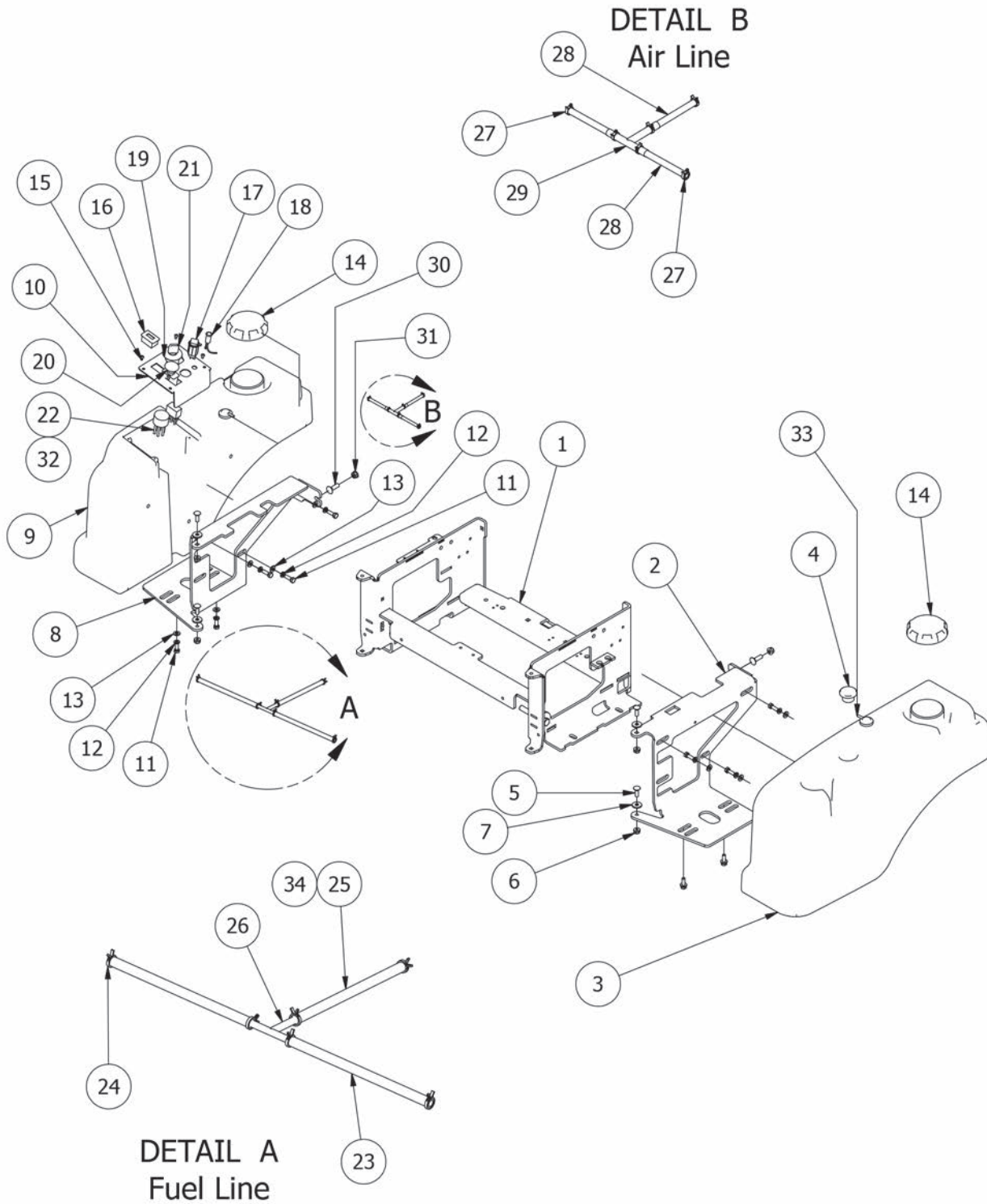
# Outlaw Drive Arms





Outlaw Drive Arm Assembly			
ITEM	QTY	PART NUMBER	DESCRIPTION
1	1	034-8025-00	Drive Lever Spring
2	2	032-5055-00	Bushing for 2012 Drive Arms
3	2	019-8027-00	.515 ID Nylon Shoulder Washer
4	3	032-8024-00	.507 ID Nylon Bushing
5	1	019-6017-00	.635 ID Plastic Washer
6	1	013-8050-00	1/2-13 Nylon Flange Nut-Orange
7	1	013-8043-00	5/16" Nut
8	1	018-8063-00	5/16" x 3/4" Hex Bolt
9	1	031-9020-00	Steering Arm Elbow - Left
10	1	013-6051-00	3/8" Fine Threaded Jam Nut
11	2	019-5037-00	3/8" Lock Washer
12	2	019-7000-00	.505x1x .125 Oil Impregnated washer
13	1	031-9010-00	Upper Tube-Adjustable Steering
14	1	031-9017-00	Upper adjuster-Steering Arm- Left
15	1	031-9014-00	Lower Adjuster - Steering Arm- Left
16	1	069-4010-00	Black Steering Grip
17	1	045-5000-00	Black Knob for Adjustable Steering Arm
18	1	018-5043-00	3/8" x 1 1/4" Carriage Bolt
19	4	018-2020-00	5/16-18 1/2 HWH Bolt-Steering
20	1	048-3000-00	Spherical Rod End - Outlaw
21	2	013-6051-00	3/8" Fine Threaded Jam Nut
22	1	035-2100-00	Push Rod for Outlaw - Left
23	1	099-2009-00	Quick Release Ball Joint
24	1	018-5040-00	3/8" x 1 1/4" Hex Bolt
25	1	031-9015-00	Lower Adjuster - Steering Arm- Right
26	1	031-9016-00	Upper Adjust Steering Arm- Right
27	1	031-9025-00	Steering Arm Elbow - Right
28	1	035-2110-00	Push Rod for Outlaw - Right
29	1	027-8901-00	2013 Drive Lever Housing (Right)
30	1	087-3000-00	Steering Damper For Outlaw
31	2	018-2050-00	10mm Damper Ball Stud-Steering
32	2	013-9002-00	5/16" Flange Nut
33	1	027-8900-00	2013 Drive Lever Housing (Left)
34	1	013-0085-00	1/2-13 Hex Flange (GR.G) ZC
35	1	013-6014-00	3/8-16 Hex Nuts Zinc

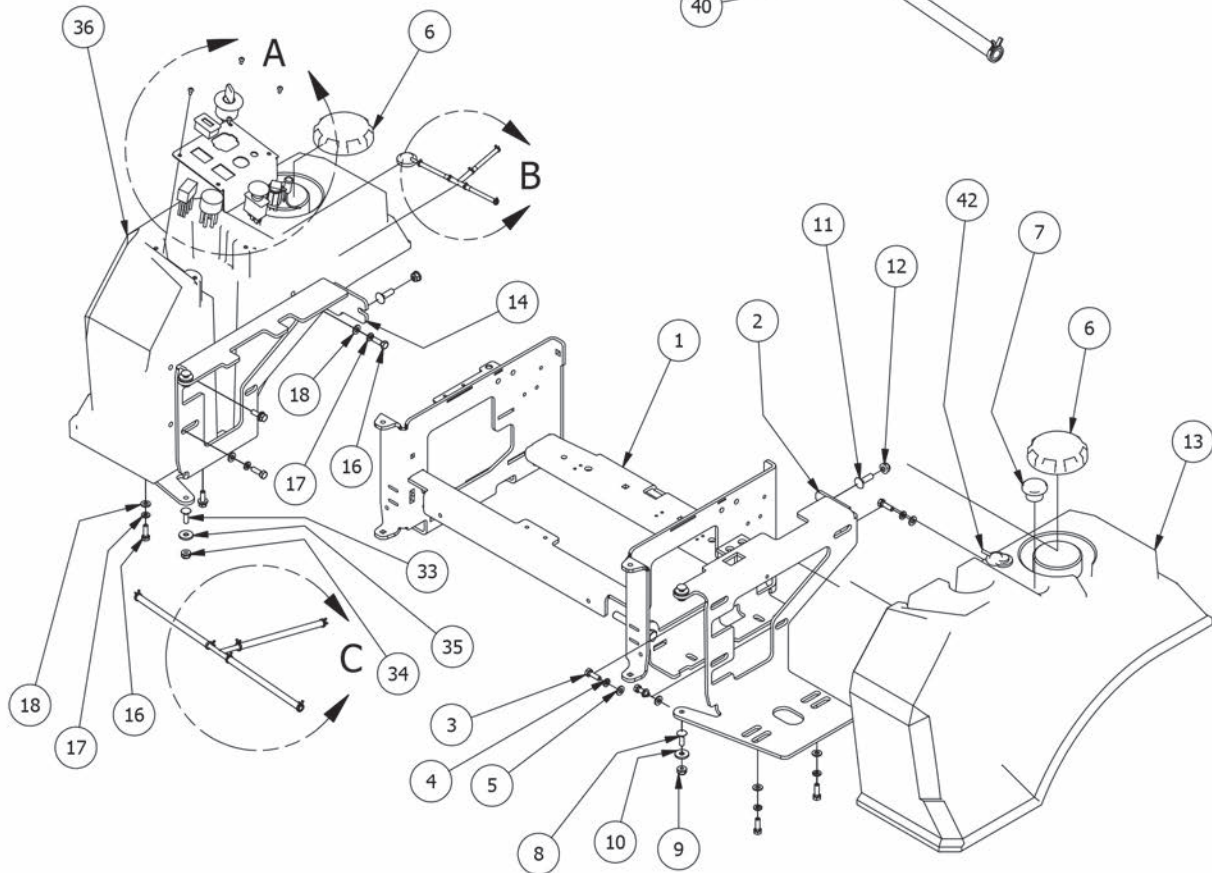
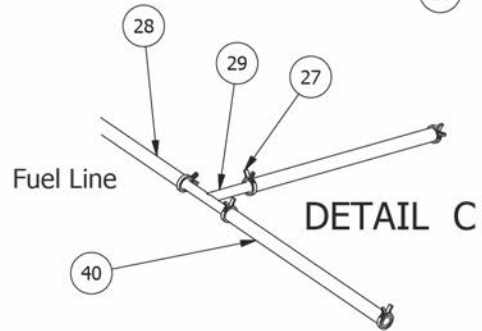
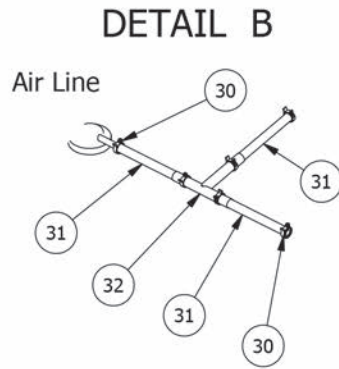
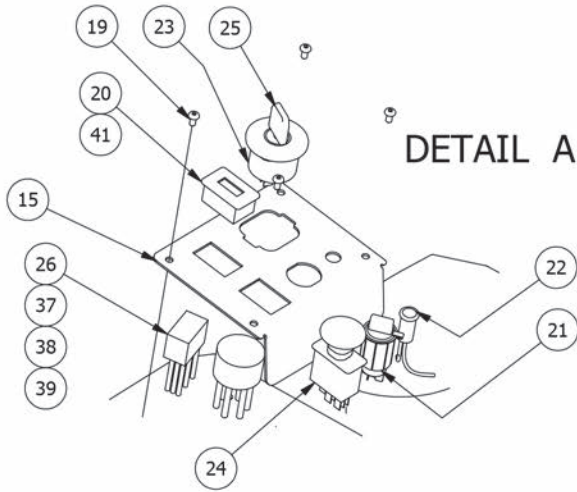
# Outlaw Gas Tank Assemblies





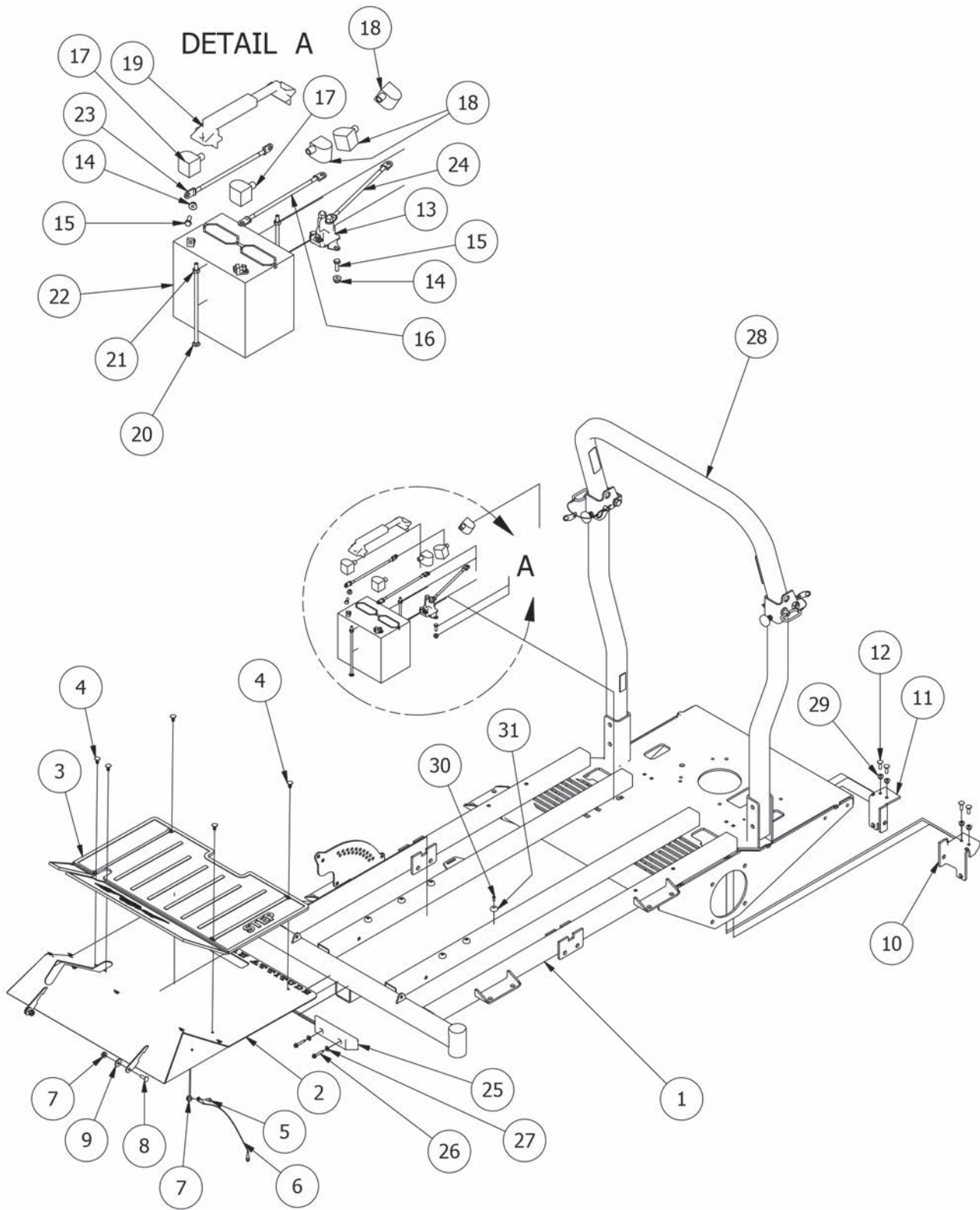
Gas tanks and control panel assembly			
ITEM	QTY	PART NUMBER	DESCRIPTION
1	1	080-5000-00	Outlaw Seat Bracket 2012
2	1	031-2031-00	Tank Support 2012 Outlaw (Left)
3	1	067-5001-50	Left Fuel Tank/Outlaw/2012/EPA
4	1	067-4025-00	Fuel Gauge and Grommet
5	2	018-8065-00	5/16" x 1" Carriage Bolt
6	2	013-8049-00	5/16-18 Nylon Flange Nut
7	2	019-6042-00	.360 ID Plastic Washer
8	1	031-2030-00	Outlaw Tank Support 2012 (Right)
9	1	067-5000-50	Right Fuel Tank/Outlaw/2012/EPA
10	1	079-3300-00	Outlaw Instrument Panel 2010
11	5	018-2007-00	5/16" x 1" Bolt
12	5	019-8051-00	5/16" Lock Washer
13	5	019-8044-00	5/16" Flat Washer
14	2	066-8083-00	3.5" Tethered Fuel Cap
15	4	018-2010-00	10-32 x 3/8" Button Socket Head Bolt
16	1	083-4013-00	Tachometer
17	1	077-2075-00	12V AUX Connection
18	1	089-1000-00	Oil Light
19	1	077-8076-00	Ignition Switch
20	1	056-8058-00	PTO Engager
21	1	042-9000-00	Ignition Key
22	1	086-2050-00	Wiring Harness 810 Briggs, 726 Ka, 747 Ko,
23	1	051-7070-00	Fuel Line Assembly 726 Ka
24	6	072-8069-00	1/4 fuel clamp
25	3	051-8067-00	1/4" fuel line hose
26	1	073-8068-00	fuel line T
27	6	072-8070-00	3/16 vinyl clamp
28	3	051-8072-00	1/4" vinyl tubing
29	1	073-8068-00	fuel line T
30	1	018-5043-00	3/8" x 1 1/4" Carriage Bolt
31	1	013-5202-00	3/8" Nylock Flange Nut
32	1	086-2008-00	Wiring Harness 29 EFI Kohler
33	2	067-6052-00	Rollover Valve-White
34	1	051-7075-00	Fuel line Assembly 29 EFI, 810 Briggs, 747 Ko

# Outlaw Extreme Gas Tank Assemblies





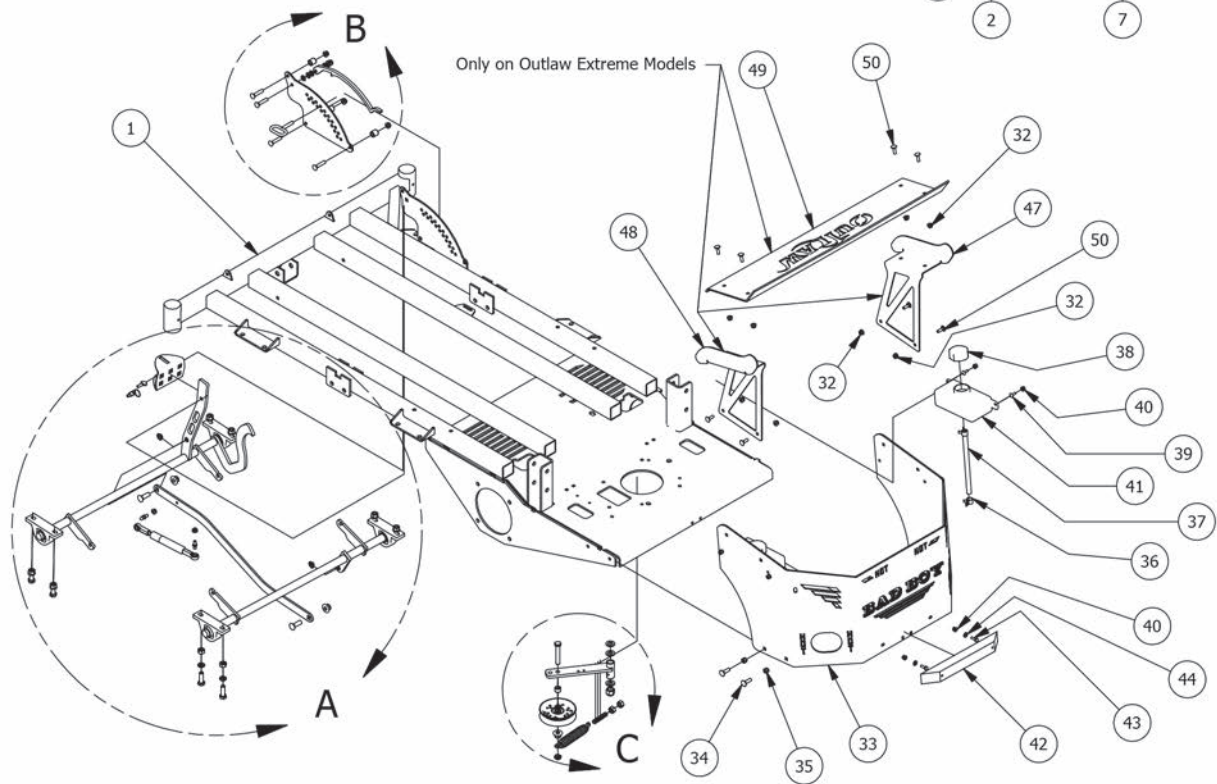
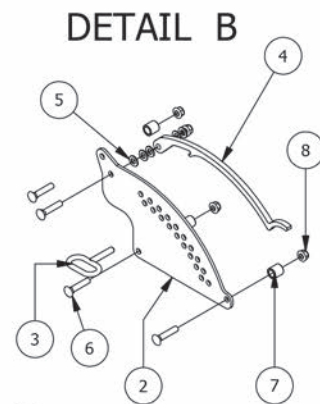
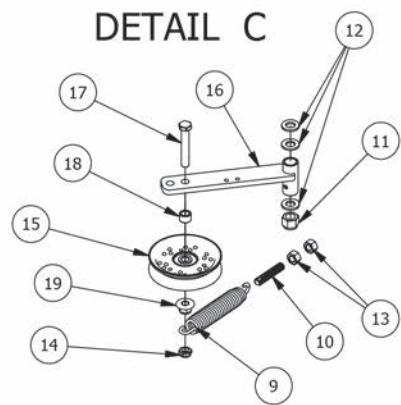
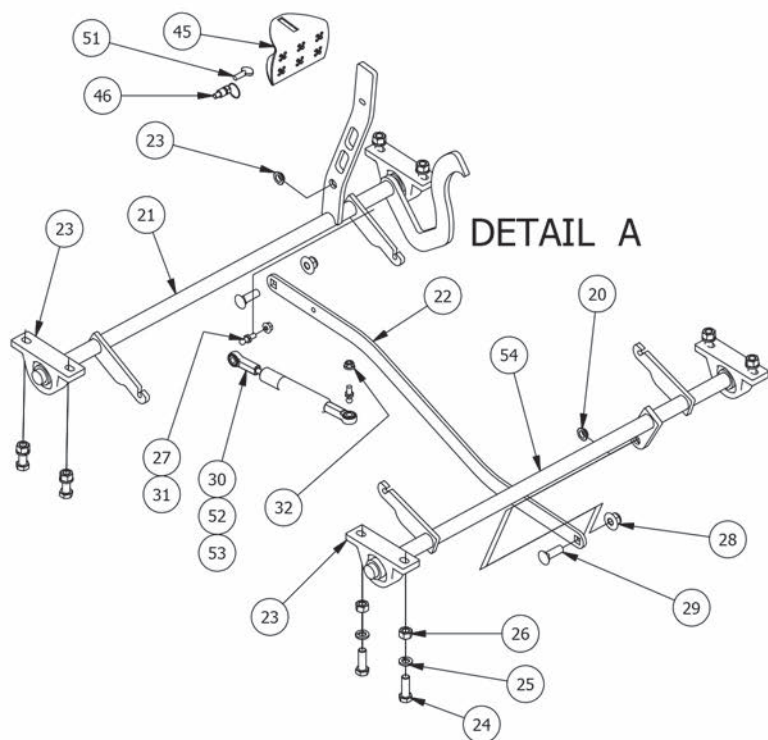
Outlaw Extreme Gas Tank Assemblies			
ITEM	QTY	PART NUMBER	DESCRIPTION
1	1	080-5000-00	Outlaw Seat Bracket 2012
2	1	031-2031-00	Tank Support 2012 Outlaw (Left)
3	5	018-2007-00	5/16" x 1" Bolt
4	5	019-8051-00	5/16" Lock Washer
5	5	019-8044-00	5/16" Flat Washer
6	2	066-8083-00	3.5" Tethered Fuel Cap
7	1	067-4050-00	Fuel Gauge Tanks W/downtube
8	2	018-8065-00	5/16" x 1" Carriage Bolt
9	2	013-8049-00	5/16-18 Nylon Flange Nut
10	2	019-6042-00	.360 ID Plastic Washer
11	1	018-5043-00	3/8" x 1 1/4" Carriage Bolt
12	1	013-5202-00	3/8" Nylock Flange Nut
13	1	067-8000-50	2012 EPA Fuel Tank- XP-XTRM- Left
14	1	031-2030-00	Outlaw Tank Support 2012 (Right)
15	1	079-3300-00	Outlaw Instrument Panel 2010
16	5	018-2007-00	5/16" x 1" Bolt
17	5	019-8051-00	5/16" Lock Washer
18	5	019-8044-00	5/16" Flat Washer
19	4	018-2010-00	10-32 x 3/8" Button Socket Head Bolt
20	1	083-4013-00	Tachometer
21	1	077-2075-00	12V AUX Connection
22	1	089-1000-00	Oil Light
23	1	077-8076-00	Ignition Switch
24	1	056-8058-00	PTO Engager
25	1	042-9000-00	Ignition Key
26	1	086-0032-00	Wiring Harness-993cc Outlaw-Vanguard
27	6	072-8069-00	1/4 fuel clamp
28	3	051-8067-00	1/4" fuel line hose
29	1	073-8068-00	fuel line T
30	6	072-8070-00	3/16 vinyl clamp
31	3	051-8072-00	1/4" vinyl tubing
32	1	073-8068-00	fuel line T
33	2	018-8065-00	5/16" x 1" Carriage Bolt
34	2	013-8049-00	5/16-18 Nylon Flange Nut
35	2	019-6042-00	.360 ID Plastic Washer
36	1	067-8001-50	2012 EPA Fuel Tank - XP-XTRM - Right
37	1	086-0045-00	Wiring Harness - 852cc Kawasaki
38	1	086-2008-00	Wiring Harness - 29EFI Kohler
39	1	086-1201-00	Relay Terminal
40	1	051-7070-00	Fuel line assembly
41	1	083-4050-00	Tachometer-2012 29hp EFI Kohler (only)
42	1	067-6052-00	Rollover Valve-White







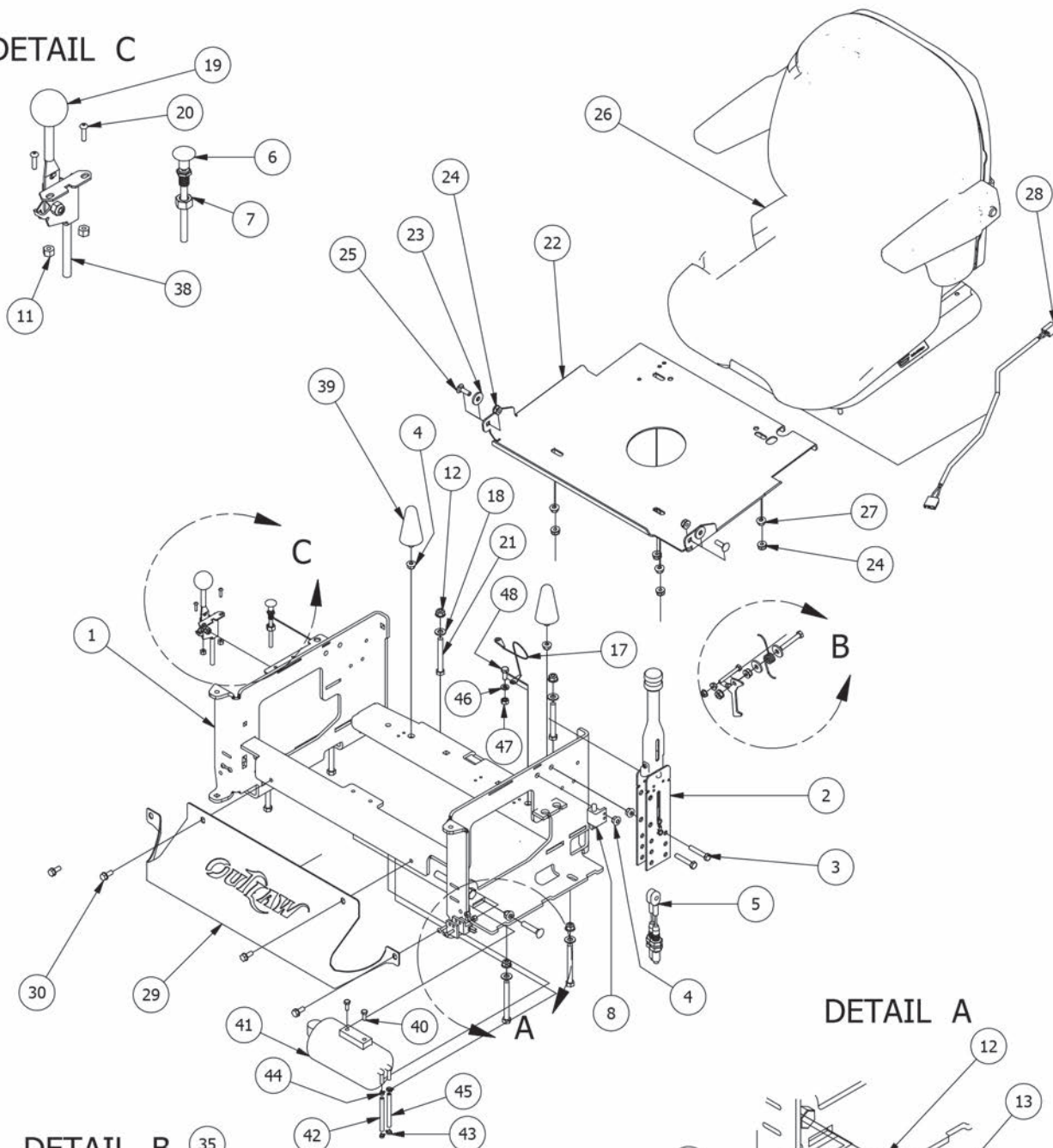
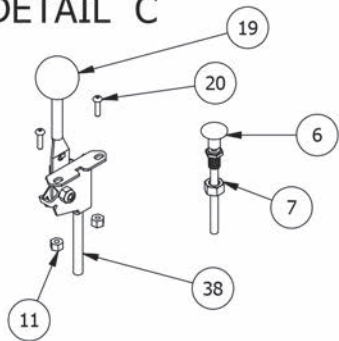
Floor Board and Battery Assembly			
ITEM	QTY	PART NUMBER	DESCRIPTION
1	1	070-5350-00	Outlaw Frame
2	1	079-3100-00	Outlaw Floor Panel
3	1	081-2008-00	Foot Assist Floor Mat
4	11	040-6080-00	Ratchet Fastener
5	1	018-8064-00	1/4" x 5/8" BS C/S 18-8 SS
6	1	064-2006-00	Floor board Cable W/ Swivel Ends
7	3	013-8049-00	5/16-18 Nylon Flange Nut
8	2	018-8065-00	5/16" x 1" Carriage Bolt
9	2	019-6042-00	.360 ID Plastic Washer
10	1	039-2113-00	Outlaw Brake Cable Mount Bracket (Right)
11	1	039-2110-00	Outlaw Brake Cable Mounting Bracket (left)
12	4	018-8065-00	5/16" x 1" Carriage Bolt
13	1	108-5349-00	Solenoid
14	4	013-9001-00	1/4-20 Hex Flange Nuts Zinc w/Serrations
15	4	018-8052-00	1/4-20 x 3/4 GR 5 Hex Bolts Zinc
16	1	064-5300-00	24" red battery cable
17	2	103-5400-00	Black Boot For ground cable
18	3	103-5300-00	Red Boot
19	1	043-8929-00	Battery Hold Down
20	2	018-8050-00	1/4-20 X 8 Carriage Bolt
21	2	013-8039-00	1/4-20 Hex Nut
22	1	068-8049-00	Battery
23	1	086-0005-00	Starter to chassis cable
24	1	086-0003-00	Red battery cable alternator to Started cable
25	1	029-7038-00	8" Rubber Bumper
26	2	030-7039-00	1/4" x 1 1/2" Self Tapping Screw
27	2	019-7040-00	1/4" Flat Washer
28	1	089-3000-00	Outlaw-2010 and Up
29	4	013-8049-00	5/16" Nylon Flange Nut
30	6	030-3050-00	#10 x 1/2" Self Taping Screw
31	6	029-4010-00	Button Bumper



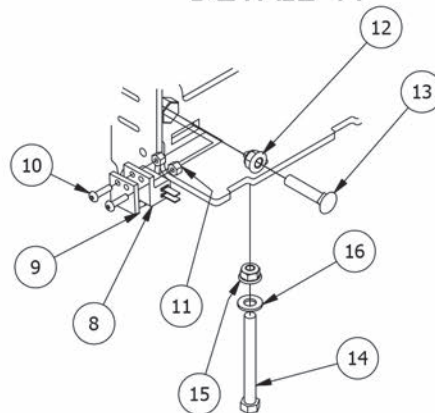


Parts List			
ITEM	QTY	PART NUMBER	DESCRIPTION
1	1	070-5350-00	Outlaw Frame
2	1	026-2100-00	Outlaw Height Indicator Plate (Outer)
3	1	040-4000-00	Deck height lever pin
4	1	031-0100-00	Outlaw Deck Lever Lock
5	5	019-2003-00	.390 x .750 x .062 Nylon Washer
6	4	018-0009-00	3/8 x 1 3/4 Carriage Bolt
7	3	025-5203-00	3/4 OD x 1/2 ID x 3/4 Length
8	4	013-5202-00	3/8" Nylock Flange Nut
9	1	034-2009-00	Pump Idler Spring
10	1	018-2004-00	All Thread-pump Idler Tensioner
11	1	013-7021-00	5/8 Std NC Nylock Nut
12	3	019-6017-00	.635 ID Plastic Washer
13	2	013-7018-00	1/2" Hex Nut
14	1	018-4010-00	1/2" Nylock Nut (1/2 Jam)
15	1	033-6001-00	4-3/4 Idler Pulley
16	1	039-6945-00	Deck Idler
17	1	018-7016-00	1/2-13 x GR 5 Hex Bolt Zinc
18	1	025-7036-00	1/2 x 1/2 Spacer
19	1	013-8050-00	1/2-13 Nylon Flange Nut-Orange
20	2	032-3000-00	Bushing- SF-1620-4
21	1	028-6010-00	Outlaw Front Actuator Bar Assembly
22	1	028-6050-00	Outlaw Deck Linkage Rod
23	4	017-7008-00	Pillow block Bearing
24	8	018-5006-00	1/2" x 1 1/2" Hex Bolt
25	8	019-5007-00	1/2" Lock Washer
26	8	013-7018-00	1/2" Hex Nut
27	1	018-2050-00	10mm Damper Ball Stud-Steering Only on 54" & 61" Decks
28	2	013-8050-00	1/2-13 Nylon Flange Nut-Orange
29	2	018-0008-00	1/2 x 1-1/2 Carriage Bolt
30	1	087-5400-00	200 lb Gas Spring- 54" Deck outlaw
31	1	018-2049-00	13mm Damper Ball Stud for 72" Deck only
32	9	013-9002-00	5/16-18 Hex Flange Nuts
33	1	026-2110-00	Outlaw Rear Plate
34	4	018-5043-00	3/8" x 1 1/4" Carriage Bolt
35	4	013-5041-00	3/8 Nylock Nut
36	4	072-8074-00	5/8 Wire Clamp-Outlaw Only
37	2	051-9000-00	5/8 Braided Hose
38	2	066-5050-00	Hydraulic Tank Cap
39	4	019-8040-00	1/4" x 3/4" Carriage Bolt
40	6	013-2050-00	1/4-20 Nylon Insert flange Nut
41	2	067-8085-00	Expansion Tank Outlaw
42	1	029-7037-00	14" Rubber Bumper
43	2	018-4702-00	1/4-20 x 1-1/4 GR 5 Hex Bolt
44	2	019-7040-00	1/4" Flat Washer
45	1	026-0013-00	Outlaw Deck Lift Pedal
46	1	040-5000-00	Pull Pin
47	1	201-1050-00	Spoiler Side Support Right
48	1	201-1051-00	Spoiler Side Support Left
49	1	026-1040-00	Outlaw Spoiler Plate
50	8	018-8065-00	5/16" x 1" Carriage Bolt
51	1	030-0010-00	5/16-18 x1 Thumb Screw Zinc
52	1	087-7200-00	300 lb Gas Spring - 72" Deck Outlaw
53	1	087-6100-00	250 lb Gas Spring - 61" Deck outlaw
54	1	028-6020-00	Outlaw Rear Actuator Bar Assy

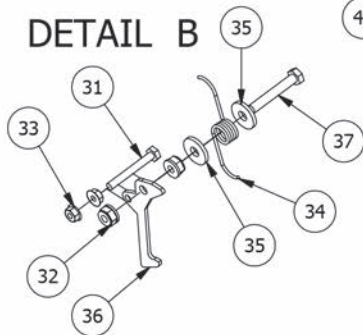
DETAIL C



DETAIL A



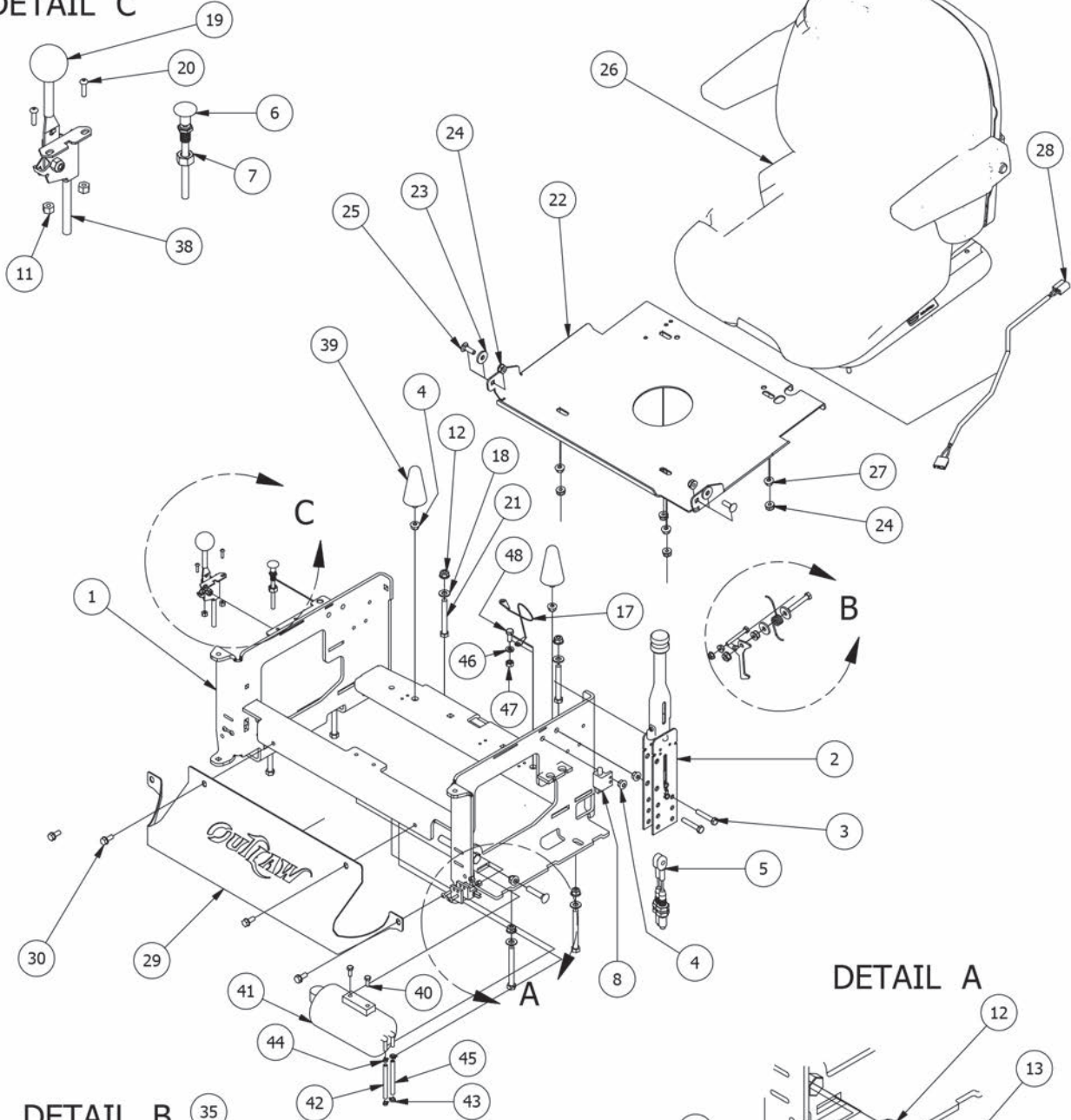
DETAIL B



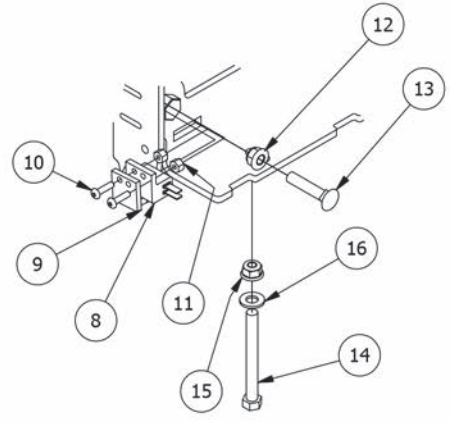


Seat Frame Assembly			
ITEM	QTY	PART NUMBER	DESCRIPTION
1	1	080-5000-00	Outlaw Seat Bracket 2012
2	1	069-8054-00	Brake Handle Kit
3	2	018-8059-00	5/16" x 1 3/4" Hex Bolt
4	4	013-8049-00	5/16" Nylon Flange Nut
5	2	064-8056-00	Long Brake Cable
6	1	054-8017-00	Choke
7	1	013-6051-00	3/8" Fine Threaded Jam Nut
8	3	077-8073-00	Safety Switch
9	2	025-6041-00	Switch Block Plastic
10	4	018-8058-00	10-24 x 1 BS C/S 18-8 SS
11	6	013-5019-00	10-24 Nylon Insert Locknut
12	4	013-5202-00	3/8" Nylock Flange Nut
13	2	018-0009-00	3/8 x 1 3/4 Carriage Bolt
14	4	018-1010-00	3/8-16x3-1/2 grade 5 hex bolt
15	4	013-5202-00	3/8" Nylock Flange Nut
16	4	019-5029-00	3/8" Flat Washer
17	1	064-8081-00	Seat Cable
18	2	019-5029-00	3/8" Flat Washer
19	1	055-2012-00	Universal Throttle Head - 2012
20	2	018-5200-00	10-24 X 5/8 BS C/S 18-8 SS
21	2	018-4700-00	3/8-16x3 grade 5 hex bolt
22	1	026-2006-00	Seat Plate
23	2	019-6042-00	.360 ID Plastic Washer
24	6	013-8049-00	5/16-18 Nylon Flange Nut
25	2	018-8065-00	5/16" x 1" Carriage Bolt
26	1	071-5000-00	2010 Outlaw Seat
27	4	013-9002-00	5/16" Flange Nut
28	1	036-5300-00	Seat Switch Adapter
29	1	014-2100-00	Outlaw Cooler Cover
30	4	030-7042-00	5/16 x 3/4 washer head type F screw
31	1	018-0011-00	1/4-20 x 2 Hex Bolt
32	2	013-8049-00	5/16-18 Nylon Flange Nut
33	2	013-9001-00	1/4-20 Hex Flange Nuts Zinc w/Serrations
34	1	034-1075-00	Torsion Spring for Seat latch
35	2	019-6042-00	.360 ID Plastic Washer
36	1	031-0200-00	Seat Latch Lever
37	1	018-0012-00	5/16-18 X 2 Hex C/S (GR.5) ZC
38	1	055-8021-75	Outlaw Throttle Cable Only
39	2	034-1444-00	Rubber Cone-1621-153
40	2	018-0024-00	M6-1.0 X 16MM Hex Bolt
41	1	067-0020-00	Carbon Canister ZT,CZT,Outlaw
42	1	051-8073-00	3/16 vinyl tubing
43	2	072-8070-00	3/16 vinyl clamp
44	2	072-8073-00	3/16" Vinyl Hose Clamp
45	1	051-8072-00	1/4" vinyl tubing
46	1	019-8051-00	5/16" Lock Washer
47	1	013-8043-00	5/16" Nut
48	1	018-8063-00	5/16" x 3/4" Hex Bolt

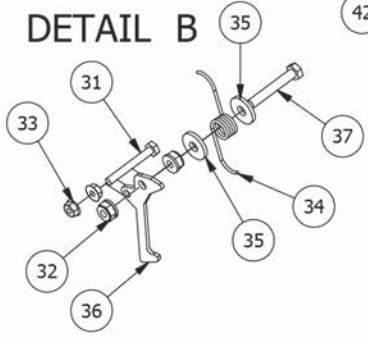
DETAIL C



DETAIL A



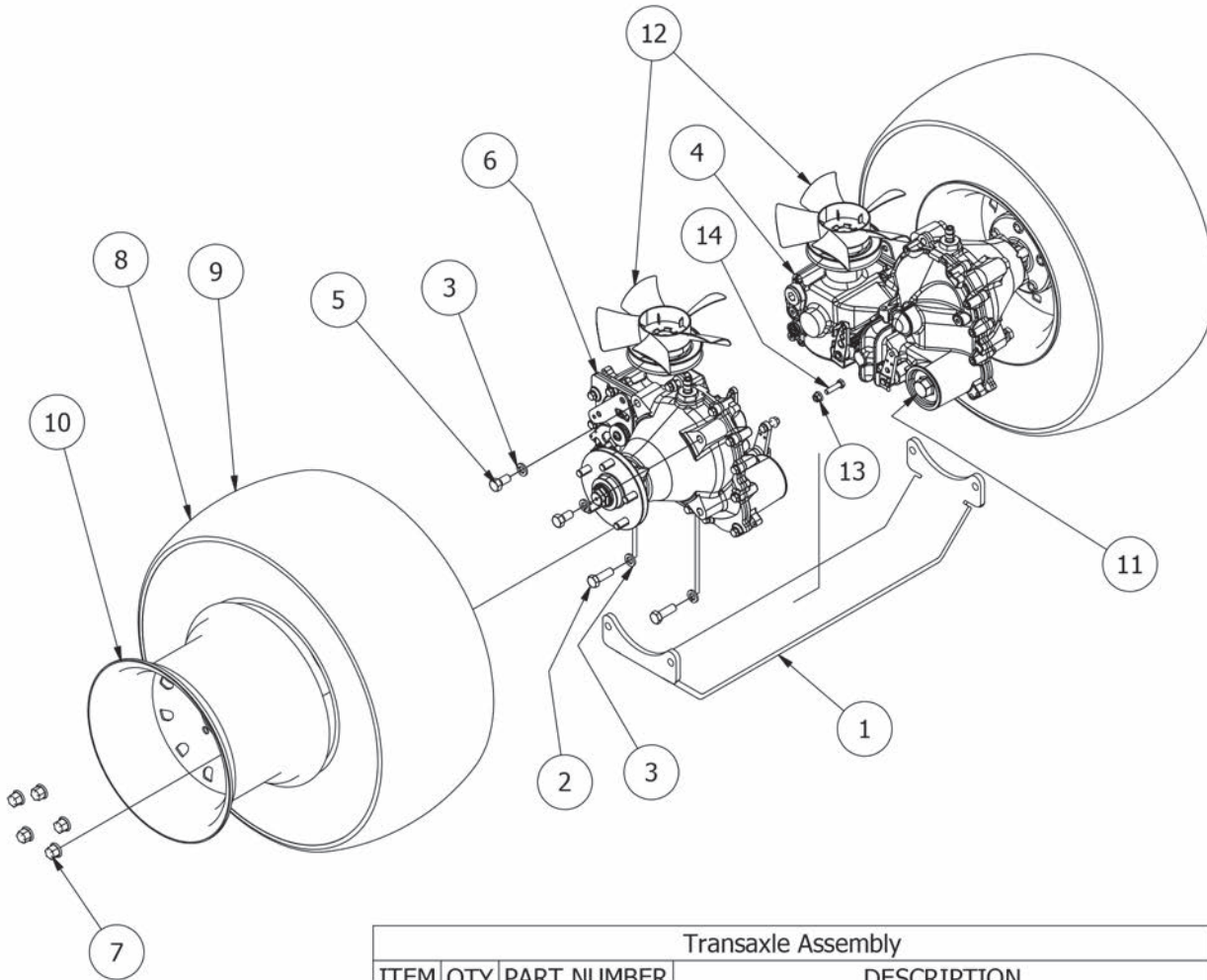
DETAIL B





Seat Frame Assembly			
ITEM	QTY	PART NUMBER	DESCRIPTION
1	1	080-5000-00	Outlaw Seat Bracket 2012
2	1	069-8054-00	Brake Handle Kit
3	2	018-8059-00	5/16" x 1 3/4" Hex Bolt
4	4	013-8049-00	5/16" Nylon Flange Nut
5	2	064-8056-00	Long Brake Cable
6	1	054-8017-00	Choke
7	1	013-6051-00	3/8" Fine Threaded Jam Nut
8	3	077-8073-00	Safety Switch
9	2	025-6041-00	Switch Block Plastic
10	4	018-8058-00	10-24 x 1 BS C/S 18-8 SS
11	6	013-5019-00	10-24 Nylon Insert Locknut
12	4	013-5202-00	3/8" Nylock Flange Nut
13	2	018-0009-00	3/8 x 1 3/4 Carriage Bolt
14	4	018-1010-00	3/8-16x3-1/2 grade 5 hex bolt
15	4	013-5202-00	3/8" Nylock Flange Nut
16	4	019-5029-00	3/8" Flat Washer
17	1	064-8081-00	Seat Cable
18	2	019-5029-00	3/8" Flat Washer
19	1	055-2012-00	Universal Throttle Head - 2012
20	2	018-5200-00	10-24 X 5/8 BS C/S 18-8 SS
21	2	018-4700-00	3/8-16x3 grade 5 hex bolt
22	1	026-2006-00	Seat Plate
23	2	019-6042-00	.360 ID Plastic Washer
24	6	013-8049-00	5/16-18 Nylon Flange Nut
25	2	018-8065-00	5/16" x 1" Carriage Bolt
26	1	071-5000-00	2010 Outlaw Seat
27	4	013-9002-00	5/16" Flange Nut
28	1	036-5300-00	Seat Switch Adapter
29	1	014-2100-00	Outlaw Cooler Cover
30	4	030-7042-00	5/16 x 3/4 washer head type F screw
31	1	018-0011-00	1/4-20 x 2 Hex Bolt
32	2	013-8049-00	5/16-18 Nylon Flange Nut
33	2	013-9001-00	1/4-20 Hex Flange Nuts Zinc w/Serrations
34	1	034-1075-00	Torsion Spring for Seat latch
35	2	019-6042-00	.360 ID Plastic Washer
36	1	031-0200-00	Seat Latch Lever
37	1	018-0012-00	5/16-18 X 2 Hex C/S (GR.5) ZC
38	1	055-8021-75	Outlaw Throttle Cable Only
39	2	034-1444-00	Rubber Cone-1621-153
40	2	018-0024-00	M6-1.0 X 16MM Hex Bolt
41	1	067-0020-00	Carbon Canister ZT,CZT,Outlaw
42	1	051-8073-00	3/16 vinyl tubing
43	2	072-8070-00	3/16 vinyl clamp
44	2	072-8073-00	3/16" Vinyl Hose Clamp
45	1	051-8072-00	1/4" vinyl tubing
46	1	019-8051-00	5/16" Lock Washer
47	1	013-8043-00	5/16" Nut
48	1	018-8063-00	5/16" x 3/4" Hex Bolt

# Transaxle Assembly

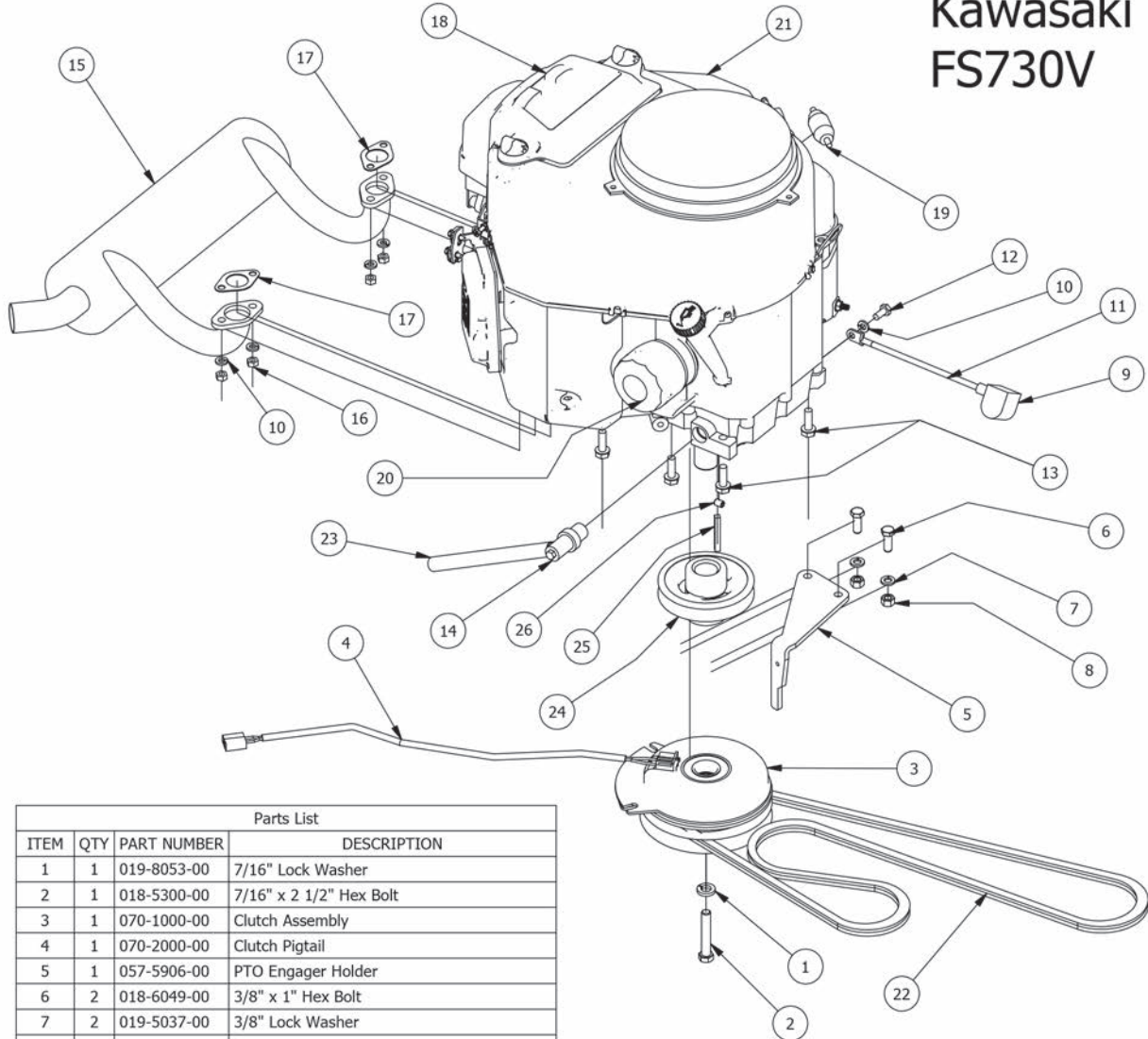


Transaxle Assembly			
ITEM	QTY	PART NUMBER	DESCRIPTION
1	1	203-0100-00	Outlaw Transaxle Cross Brace
2	4	018-5006-00	1/2" x 1 1/2" Hex Bolt
3	8	019-5007-00	1/2" Lock Washer
4	1	050-7001-00	ZT - 5400 - Right
5	4	018-2030-00	1/2" x 1" Hex Bolt
6	1	050-7000-00	ZT - 5400 - Left
7	10	013-3000-00	Acorn Lug Nut
8	2	022-4000-00	24 x 12.00-10 Tire and Wheel assembly
9	1	022-4005-00	24 x 12.00 - 10 outlaw Tire
10	1	022-4010-00	10" Wheel For Outlaw
11	1	063-1060-00	Hydro Filter for Outlaw
12	2	050-2073-00	Fan/Pulley Kit for Outlaw
13	2	013-8049-00	5/16" Nylon Flange Nut
14	2	018-2006-00	5/16 x 1 1/4 Hex Bolt



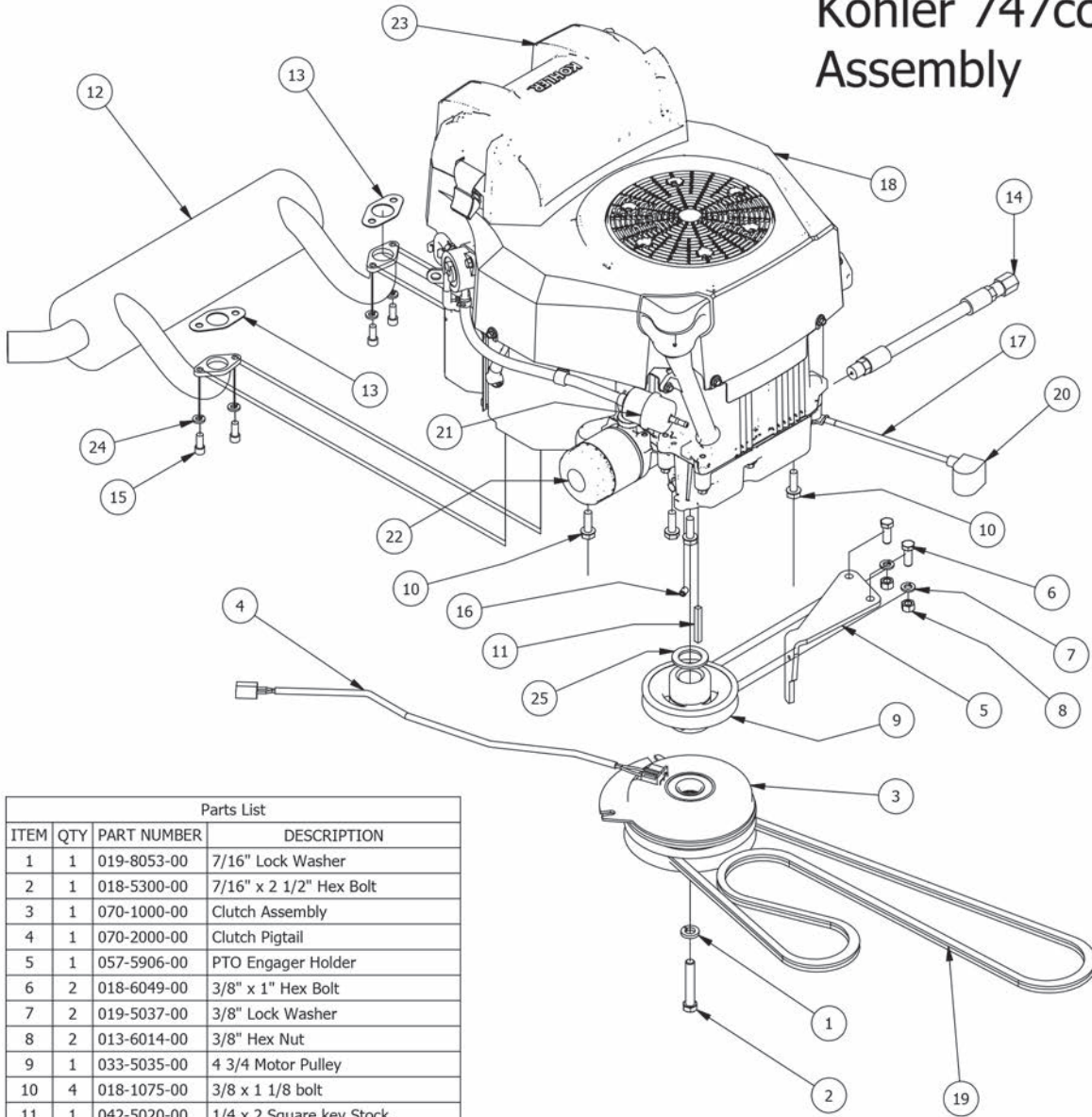


# Kawasaki FS730V



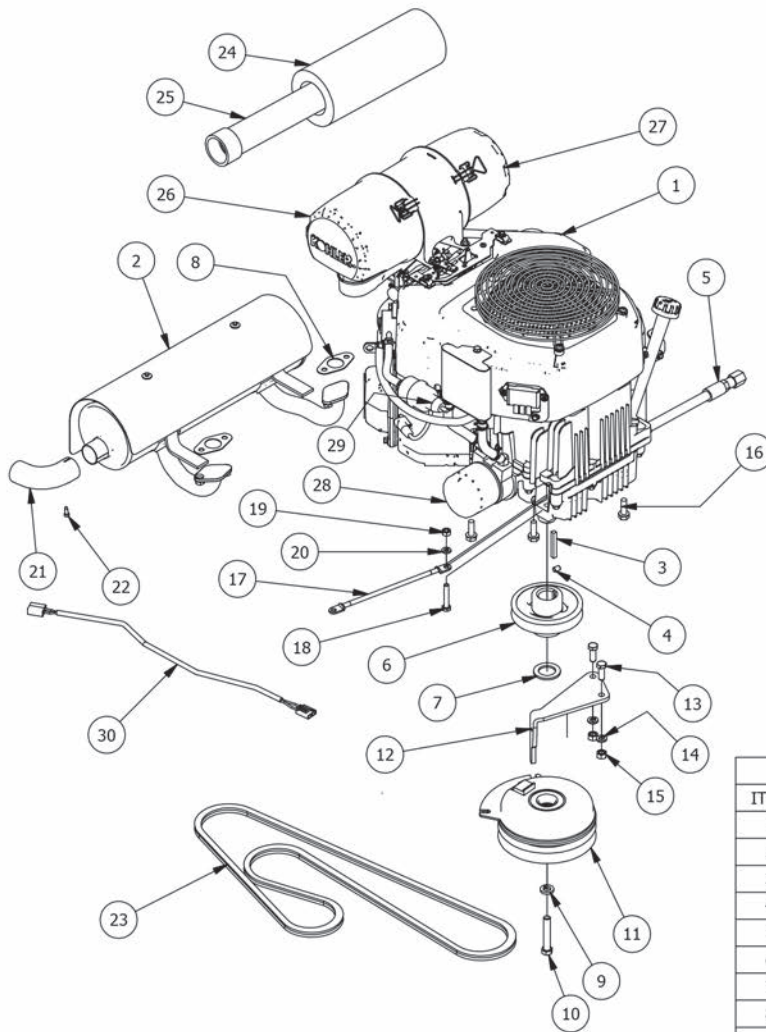
Parts List			
ITEM	QTY	PART NUMBER	DESCRIPTION
1	1	019-8053-00	7/16" Lock Washer
2	1	018-5300-00	7/16" x 2 1/2" Hex Bolt
3	1	070-1000-00	Clutch Assembly
4	1	070-2000-00	Clutch Pigtail
5	1	057-5906-00	PTO Engager Holder
6	2	018-6049-00	3/8" x 1" Hex Bolt
7	2	019-5037-00	3/8" Lock Washer
8	2	013-6014-00	3/8" Hex Nut
9	1	103-5400-00	Black Boot For ground cable
10	5	019-8051-00	5/16" Lock Washer
11	1	086-0005-00	Starter to chassis cable
12	1	018-5321-00	M8x1.20x20MM Hex head bolt
13	4	018-1075-00	3/8 x 1 1/8 bolt
14	1	015-5404-00	oil drain
15	1	015-0048-00	Exhaust Kawasaki FS730V Outlaw 2013
16	4	013-0075-00	M8-1.25 Zinc Nut
17	2	015-2709-00	Exhaust gasket
18	1	063-2097-00	Kaw air Filter For Engine
19	1	063-6000-00	Universal inline Fuel Filter
20	1	063-8017-00	Oil Filter
21	1	015-0045-00	FS730V Engine
22	1	041-5048-00	Pump Belt
23	1	051-8064-00	1/2 Clear Braded Hose Priced/Foot
24	1	033-5035-00	4 3/4 Motor Pulley
25	1	042-5020-00	1/4 x 2 Square key Stock
26	1	030-0050-00	5/16 Set Screw

# Kohler 747cc Assembly



Parts List

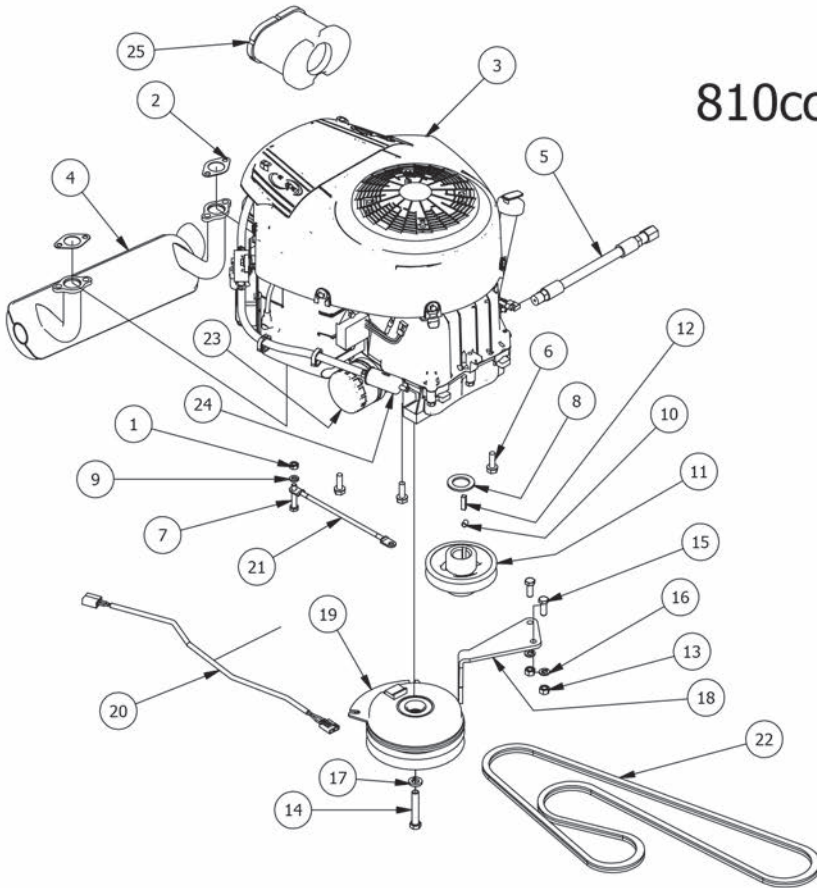
ITEM	QTY	PART NUMBER	DESCRIPTION
1	1	019-8053-00	7/16" Lock Washer
2	1	018-5300-00	7/16" x 2 1/2" Hex Bolt
3	1	070-1000-00	Clutch Assembly
4	1	070-2000-00	Clutch Pigtail
5	1	057-5906-00	PTO Engager Holder
6	2	018-6049-00	3/8" x 1" Hex Bolt
7	2	019-5037-00	3/8" Lock Washer
8	2	013-6014-00	3/8" Hex Nut
9	1	033-5035-00	4 3/4 Motor Pulley
10	4	018-1075-00	3/8 x 1 1/8 bolt
11	1	042-5020-00	1/4 x 2 Square key Stock
12	1	015-0065-00	2014 Kohler Outlaw Muffler
13	2	015-2751-00	Exhaust Gasket
14	1	015-5401-00	Oil drain Valve
15	4	018-8067-00	5/16-18 x 3/4 Socket C/S
16	1	030-0050-00	5/16 Set Screw
17	1	086-0005-00	Starter to chassis cable
18	1	015-2030-00	Kohler-2014 CZT/Outlaw 747cc
19	1	041-5048-00	Pump Belt
20	1	103-5400-00	Black Boot For ground cable
21	1	063-5001-00	725 & 747 Kohler Fuel Filter
22	1	063-5000-00	725 & 747 Kohler Oil Filter
23	1	063-5005-00	747 Kohler Air Filter CZT/Outlaw
24	4	019-8051-00	5/16" Lock Washer
25	1	019-6029-00	1 1/8" Flat Spacer



## 29 EFI Kohler

29 EFI Kohler			
ITEM	QTY	PART NUMBER	DESCRIPTION
1	1	015-2900-00	29 EFI Kohler Engine
2	1	015-0039-00	Kohler Exhaust
3	1	042-5020-00	1/4 x 2 Square key Stock
4	1	030-6029-00	3/8" Set Screw
5	1	051-5401-00	Oil drain Hose
6	1	033-5035-00	4 3/4 Motor Pulley
7	1	019-6029-00	1 1/8" Flat Spacer
8	2	015-2751-00	Exhaust Gasket
9	1	019-8053-00	7/16" Lock Washer
10	1	018-5300-00	7/16" x 2 1/2" Hex Bolt
11	1	070-1000-00	Clutch Assembly
12	1	057-5906-00	PTO Engager Holder
13	2	018-6049-00	3/8" x 1" Hex Bolt
14	2	019-5037-00	3/8" Lock Washer
15	2	013-6014-00	3/8" Hex Nut
16	3	018-1075-00	3/8 x 1 1/8 bolt
17	1	086-0005-00	Starter to chassis cable
18	1	018-8059-00	5/16" x 1 3/4" Hex Bolt
19	1	013-8043-00	5/16" Nut
20	1	019-8051-00	5/16" Lock Washer
21	1	015-5400-00	Exhaust Extension
22	1	030-3050-00	#10 x 1/2" Self Taping Screw
23	1	041-5048-00	Pump Belt
24	1	063-8019-00	Canister Air Filter- Outer
25	1	063-8020-00	Canister Air Filter- Inner
26	1	015-2703-00	Kohler Air Canister Complete
27	1	015-2704-00	Kohler End Cap
28	1	063-5400-00	Oil Filter
29	1	063-6000-00	Universal inline Fuel Filter
30	1	070-2010-00	10 amp Clutch Pigtail-Diesel

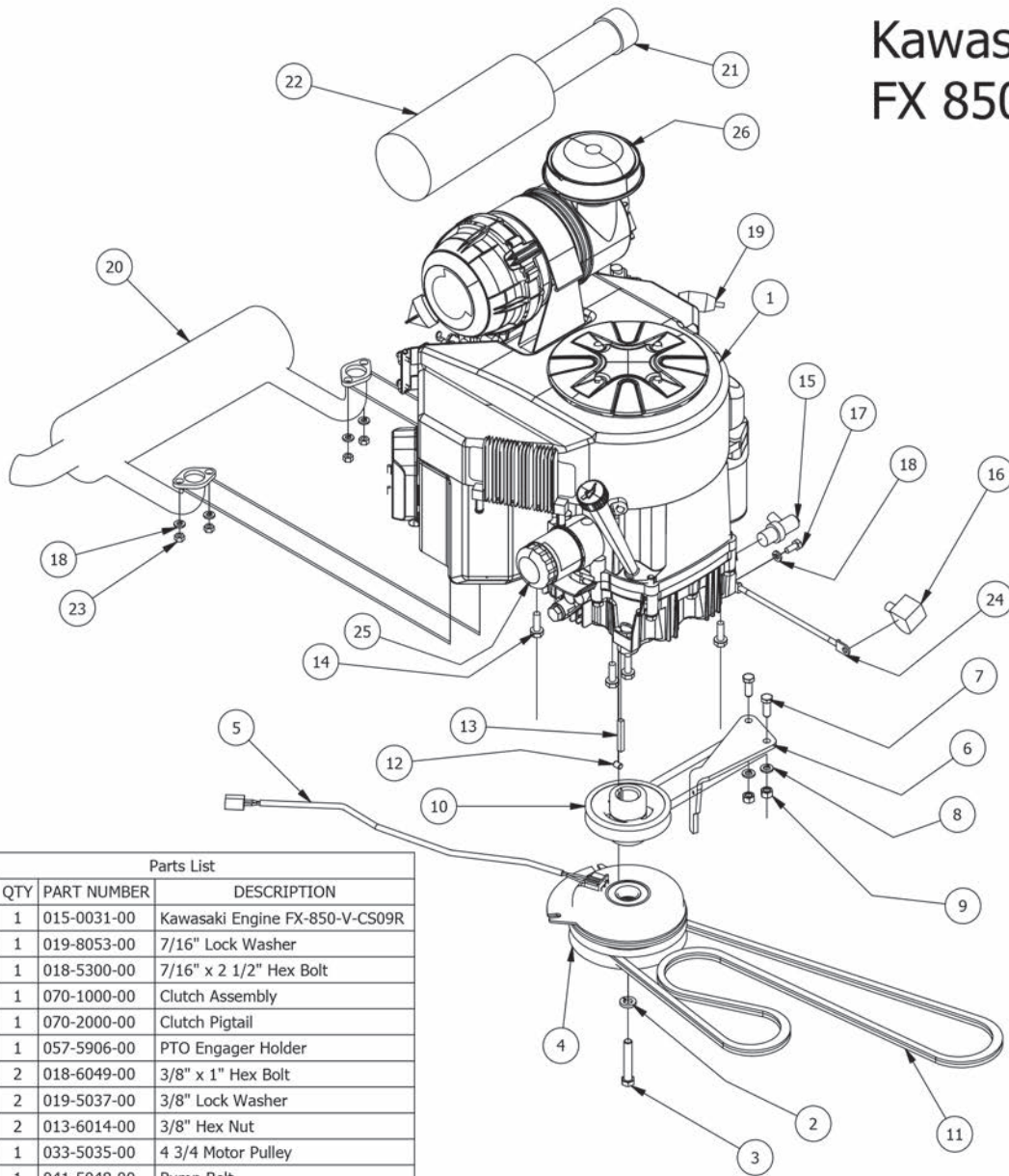
# 810cc Briggs



810cc Briggs			
ITEM	QTY	PART NUMBER	DESCRIPTION
1	1	013-8043-00	5/16" Nut
2	2	015-2709-00	Exhaust gasket
3	1	015-3030-00	810cc Briggs Engine W/Cyclonic Filter
4	1	015-3031-00	Exhaust Briggs Engine
5	1	051-5401-00	Oil drain Hose
6	3	018-1075-00	3/8 x 1 1/8 bolt
7	1	018-8059-00	5/16" x 1 3/4" Hex Bolt
8	1	019-6029-00	1 1/8" Flat Spacer
9	1	019-8051-00	5/16" Lock Washer
10	1	030-6029-00	3/8" Set Screw
11	1	033-5035-00	4 3/4 Motor Pulley
12	1	042-6030-00	1/4" x 1" Key
13	2	013-6014-00	3/8" Hex Nut
14	1	018-5300-00	7/16" x 2 1/2" Hex Bolt
15	2	018-6049-00	3/8" x 1" Hex Bolt
16	2	019-5037-00	3/8" Lock Washer
17	1	019-8053-00	7/16" Lock Washer
18	1	057-5906-00	PTO Engager Holder
19	1	070-1000-00	Clutch Assembly
20	1	070-2000-00	Clutch Pigtail
21	1	086-0005-00	Starter to chassis cable
22	1	041-5048-00	Pump Belt
23	1	063-8018-00	Briggs Oil Filter
24	1	063-6000-00	Universal Inline Fuel Filter
25	1	063-3003-00	Briggs Air Filter

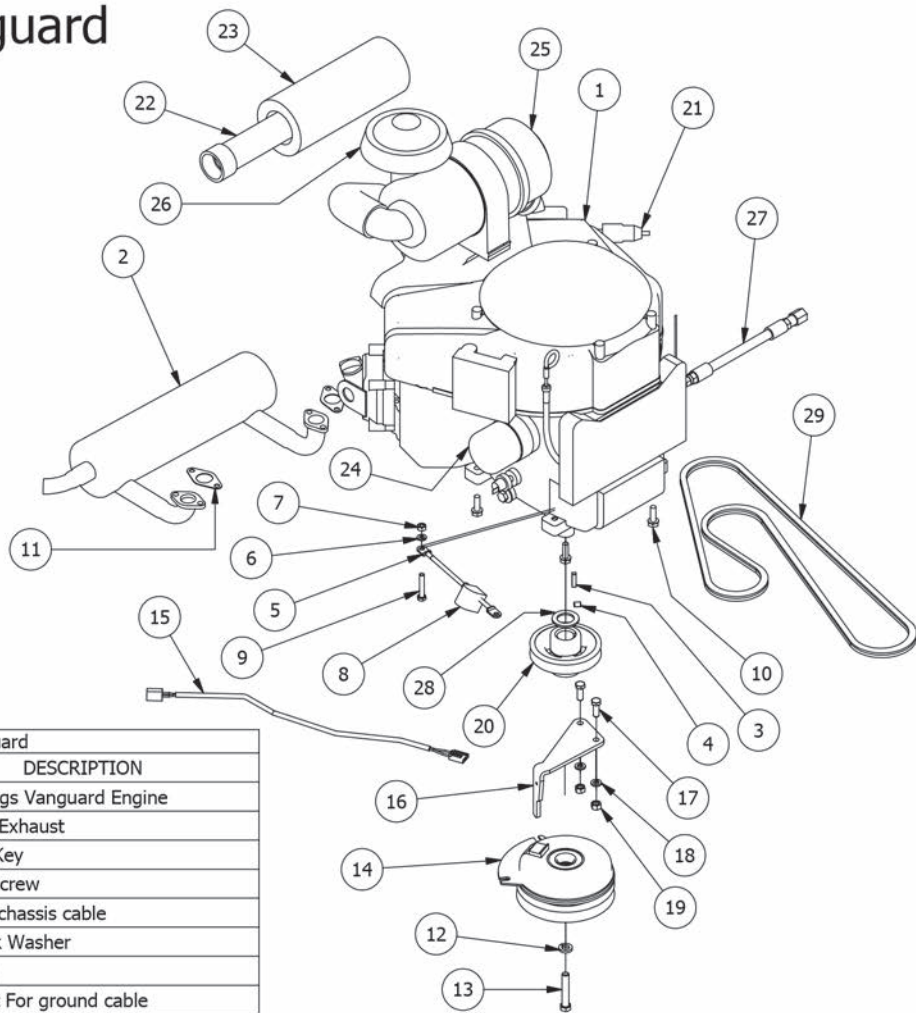


# Kawasaki FX 850-V



Parts List			
ITEM	QTY	PART NUMBER	DESCRIPTION
1	1	015-0031-00	Kawasaki Engine FX-850-V-CS09R
2	1	019-8053-00	7/16" Lock Washer
3	1	018-5300-00	7/16" x 2 1/2" Hex Bolt
4	1	070-1000-00	Clutch Assembly
5	1	070-2000-00	Clutch Pigtail
6	1	057-5906-00	PTO Engager Holder
7	2	018-6049-00	3/8" x 1" Hex Bolt
8	2	019-5037-00	3/8" Lock Washer
9	2	013-6014-00	3/8" Hex Nut
10	1	033-5035-00	4 3/4 Motor Pulley
11	1	041-5048-00	Pump Belt
12	1	030-6029-00	3/8" Set Screw
13	1	042-5020-00	1/4 x 2 Square key Stock
14	4	018-1075-00	3/8 x 1 1/8 bolt
15	1	015-5404-00	oil drain
16	1	103-5400-00	Black Boot For ground cable
17	1	018-5321-00	M8x1.20x20MM Hex head bolt
18	5	019-8051-00	5/16" Lock Washer
19	1	063-6000-00	Universal inline Fuel Filter
20	1	015-0035-00	Kawasaki Exhaust
21	1	063-8020-00	Canister Air Filter- Inner
22	1	063-8019-00	Canister Air Filter- Outer
23	4	013-0075-00	M8-1.25 Zinc Nut
24	1	086-0005-00	Starter to chassis cable
25	1	063-8017-00	Kawasaki Oil Filter
26	1	088-1071-00	Kawasaki Rain Cap

# 993cc Vanguard



993cc Vanguard			
ITEM	QTY	PART NUMBER	DESCRIPTION
1	1	015-3600-00	993cc Briggs Vanguard Engine
2	1	015-0034-00	Vanguard Exhaust
3	1	042-6030-00	1/4" x 1" Key
4	1	030-0050-00	5/16 Set Screw
5	1	086-0005-00	Starter to chassis cable
6	1	019-8051-00	5/16" Lock Washer
7	1	013-8043-00	5/16" Nut
8	1	103-5400-00	Black Boot For ground cable
9	1	018-8059-00	5/16" x 1 3/4" Hex Bolt
10	3	018-1075-00	3/8 x 1 1/8 bolt
11	2	015-0025-00	Exhaust Gasket
12	1	019-8053-00	7/16" Lock Washer
13	1	018-5300-00	7/16" x 2 1/2" Hex Bolt
14	1	070-1000-00	Clutch Assembly
15	1	070-2000-00	Clutch Pigtail
16	1	057-5906-00	PTO Engager Holder
17	2	018-6049-00	3/8" x 1" Hex Bolt
18	2	019-5037-00	3/8" Lock Washer
19	2	013-6014-00	3/8" Hex Nut
20	1	033-5035-00	4 3/4 Motor Pulley
21	1	063-6000-00	Universal inline Fuel Filter
22	1	063-8020-00	Canister Air Filter- Inner
23	1	063-8019-00	Canister Air Filter- Outer
24	1	063-8018-00	Briggs Oil Filter
25	1	015-2705-00	Complete Canister
26	1	063-2045-00	Rain Cap Fits all Canisters
27	1	051-5402-00	14 mm Oil drain Hose 993cc Vanguard
28	1	019-6029-00	1 1/8" Flat Spacer
29	1	041-5048-00	Pump Belt



54" Outlaw Deck			
ITEM	QTY	PART NUMBER	DESCRIPTION
1	1	060-5500-00	54" Outlaw (Deck Only)
2	1	039-6945-00	Deck Idler Bracket
3	1	060-5520-00	54 Outlaw Adjustable Deck Front (Right)
4	1	060-5530-00	54 Outlaw Adjustable Deck Front (left)
5	1	206-6017-00	Discharge Chute Hanger (deck mounted)
6	1	210-6005-00	Rubber Discharge Chute
7	1	039-4864-00	Discharge Chute Upper Hanger
8	1	039-4863-00	Lower Hanger
9	3	037-8000-50	Double Bearing Spindle
10	1	034-2009-00	2009 Deck/Pump Idler Spring
11	3	033-6003-00	5" Deck Pulley
12	2	033-6001-00	4 3/4" Idler Pulley
13	2	031-6010-00	Deck Hanger
14	6	022-1000-00	Deck Wheel
15	2	025-5338-00	Pulley Spacer
16	2	018-2018-00	1/2 x 3 1/2 Flange Bolt Grade 8
17	22	013-8050-00	1/2-13 Nylon Flange Nut-Orange
18	2	018-2007-00	5/16" x 1" Bolt
19	3	013-9002-00	5/16" Flange Nut
20	3	018-5250-00	3/8" x 3/4" Hex Bolt
21	3	013-5201-00	3/8" Flange Nut
22	3	018-4703-00	5/16" x 1 1/4" Carriage Bolt
23	3	018-6020-00	5/8" x 1 1/2" Grade 8 Bolt
24	12	018-5040-00	3/8" x 1 1/4" Hex Bolt
25	12	013-6014-00	3/8-16 Hex Nuts Zinc
26	12	019-5037-00	3/8" Lock Washer
27	3	018-6019-00	1/2"-20 x 1 1/2 - Grade 5 Fine Thread Bolt
28	3	019-6020-00	1/2 Belleville Washer
29	4	047-2000-00	2- Link Adjustable Deck Hange
30	2	018-6037-00	1/2-13X 2-1/4 GR Hex Bolts
31	2	018-1090-00	1/2" x 5 1/2" Bolt
32	1	018-1050-00	1/2 x 2" Carriage Bolt
33	1	019-2040-00	1/2" Flat Washer
34	1	018-5311-00	5/8" x 4" Hex Bolt
35	1	013-5301-00	5/8" Nylock (1/2 Jam)
36	2	019-6017-00	.635 ID Plastic Washer
37	4	045-6043-00	5/16" Knob
38	2	014-6010-00	Pulley Cover
39	6	018-3003-00	1/2" x 1 1/4 Carriage Bolt
40	3	038-0001-00	54" Deck Fusion Blade For Outlaw
41	3	030-0050-00	5/16 Set Screw
42	3	019-4807-00	5/8" Lock Washer
43	2	019-6042-00	.360 ID Plastic Washer
44	1	039-6945-98	Deck Idler Assembly Componets 2,17,55,57,60
45	6	019-8054-00	.505 Nylon Spacer
46	4	013-5300-00	1/2" Flange Nut
47	1	041-1650-00	B165 Belt-60 54" deck Outlaw
48	1	018-5019-00	1/2" x 4" Bolt (Grade 8)
49	1	025-5339-00	1 3/4" Pulley Spacer
50	3	042-6030-00	1/4" x 1" Key
51	6	037-8001-00	Double Bearing For Spindle
52	4	032-5057-00	Flange for Lower Deck Arm
53	4	032-5056-00	Flange Bushing for Deck Arm Upper
54	6	018-0010-00	Deck wheel Bolt-2011 Outlaw
55	1	025-5203-00	3/4 OD x 1/2 ID x 3\4 Length
56	1	028-6060-00	Panhard Linkage Bar
57	2	033-5000-00	5 3/4" Deck Idler Pulley
58	3	019-5007-00	1/2" Lock Washer
59	2	013-8049-00	5/16" Nylon Flange Nut
60	1	018-7016-00	1/2-13 x GR 5 Hex Bolt Zinc
61	2	018-0022-00	1/2-13x2 Grade 8 Hex Bolt





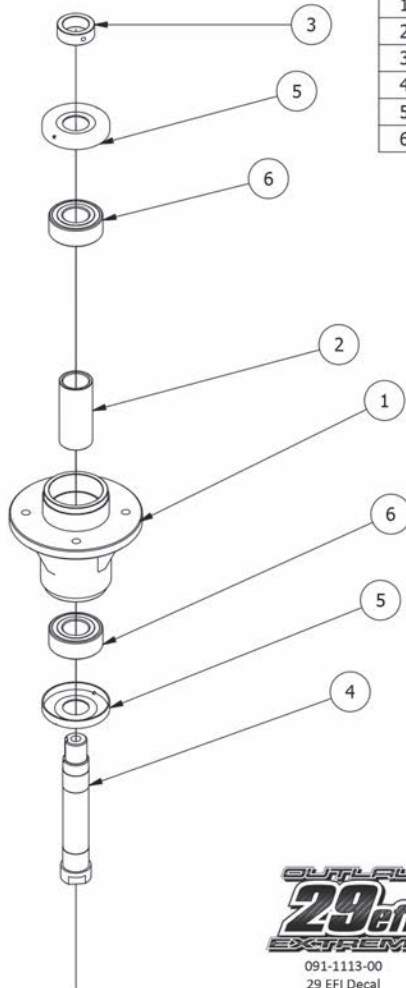
Outlaw 61" Deck			
ITEM	QTY	PART NUMBER	DESCRIPTION
1	1	060-6100-00	61" Outlaw (Deck Only)
2	2	031-6010-00	Deck Arm Assembly
3	2	033-5000-00	5 3/4" Deck Idler Pulley
4	2	033-6001-00	4 3/4" Idler Pulley
5	3	033-6004-00	6 1/4" Drive Pulley
6	1	034-2009-00	2009 Deck/Pump Idler Spring
7	1	039-4863-00	60" Discharge Lower Bracket
8	1	039-6945-00	Deck Idler Bracket
9	2	018-2018-00	1/2 x 3 1/2 Flange Bolt Grade 8
10	2	025-5338-00	Pulley Spacer
11	24	013-8050-00	1/2-13 Nylon Insert Flange Nut
12	1	210-6005-00	Rubber Discharge Chute
13	1	060-6220-00	61 Outlaw Adjustable Deck Front (Left)
14	1	060-6210-00	61 Outlaw Adjustable Deck Front (Right)
15	1	206-6017-00	Discharge Chute Hanger (deck mounted)
16	12	018-5040-00	3/8" x 1 1/4" Hex Bolt
17	12	013-6014-00	3/8-16 Hex Nuts Zinc
18	12	019-5037-00	3/8 Lockwasher Zinc
19	3	019-6020-00	1/2 Belleville Washer
20	3	018-5250-00	3/8" x 3/4" Hex Bolt
21	3	013-5201-00	3/8" Flange Nut
22	2	018-2007-00	5/16" x 1" Bolt
23	5	013-9002-00	5/16" Flange Nut Zinc W/Serrations
24	3	018-6019-00	1/2"-20 x 1 1/2 - Grade 5 Fine Thread Bolt
25	1	018-5311-00	5/8" x 4" Hex Bolt
26	2	019-6017-00	.635 ID Plastic Washer
27	3	018-6020-00	5/8" x 1 1/2" Grade 8 Bolt
28	3	019-4807-00	5/8" Lock Washer
29	1	018-5019-00	1/2" x 4" Bolt (Grade 8)
30	5	018-4703-00	5/16" x 1 1/4" Carriage Bolt
31	1	013-5301-00	5/8-11 Nylon Insert Jam Half Nut
32	8	018-3003-00	1/2" x 1 1/4 Carriage Bolt
33	1	018-1050-00	1/2 x 2" Carriage Bolt
34	1	019-2040-00	1/2" Flat Washer
35	2	018-1090-00	1/2" x 5 1/2" Bolt
36	1	025-5339-00	1 3/4" Pulley Spacer
37	4	047-2000-00	2- Link Adjustable Deck Hange
38	6	022-1000-00	Deck Wheel
39	1	041-0178-00	B178 Belt For 61 Inch Outlaw
40	2	014-6010-00	Pulley Cover
41	4	045-6043-00	5/16" Knob
42	3	037-8000-50	Double Bearing Spindle
43	3	038-6080-00	61 inch Fusion Blade
44	2	018-6037-00	1/2-13X 2-1/4 GR Hex Bolts
45	3	030-0050-00	5/16 Set Screw
46	3	042-6030-00	1/4" x 1" Key
47	2	019-6042-00	.360 ID Plastic Washer
48	1	039-4864-00	60" Discharge Chute Upper Hanger
49	1	039-6945-98	Deck Idler Assembly-parts of Assembly 3,8,11,57,61
50	1	028-6060-00	Panhard Linkage Bar
51	6	019-8054-00	.505 Nylon Spacer
52	4	013-5300-00	1/2" Flange Nut
53	4	032-5056-00	Flange Bushing For Deck Arm upper
54	4	032-5057-00	Flange for Lower Deck Arm
55	6	037-8001-00	Double Bearing For Spindle
56	6	018-0010-00	Deck Wheel Bolt-2011 Outlaw
57	1	025-5203-00	3/4 OD x 1/2 ID x 3/4 Length
58	2	018-0022-00	1/2-13x2 Grade 8 Hex Bolt
59	2	013-8049-00	5/16" Nylon Flange Nut
60	3	019-5007-00	1/2" Lock Washer
61	1	018-7016-00	1/2-13 x GR 5 Hex Bolt Zinc



72" Deck			
ITEM	QTY	PART NUMBER	DESCRIPTION
1	1	060-7230-00	72" Outlaw (Deck Only)
2	3	037-8000-50	Double Bearing Spindle
3	3	019-4807-00	5/8" Lock Washer
4	3	018-6020-00	5/8" x 1 1/2" Grade 8 Bolt
5	3	018-6019-00	1/2"-20 x 1 1/2" - Grade 5 Fine Thread Bolt
6	3	019-6020-00	1/2 Belleville Washer
7	12	013-6014-00	3/8-16 Hex Nuts Zinc
8	12	019-5037-00	3/8 Lockwasher Zinc
9	3	038-7230-00	72" High Lift Fusion Blade
10	3	033-7203-00	7" Deck Pulley
11	3	030-0050-00	5/16 Set Screw
12	3	019-5007-00	1/2" Lock Washer
13	12	018-6012-00	3/8" x 1 1/2" Hex Bolt
14	3	042-6030-00	1/4" x 1" Key
15	1	206-6017-00	Discharge Chute Hanger (deck mounted)
16	1	039-4864-00	60" Upper Discharge Chute
17	1	210-6005-00	Rubber Discharge Chute
18	1	039-4863-00	60" Lower Discharge Chute
19	2	019-6042-00	.360 ID Plastic Washer
20	5	013-9002-00	5/16" Flange Nut Zinc W/Serrations
21	2	018-2007-00	5/16" x 1" Bolt
22	3	013-5201-00	3/8" Flange Nut
23	3	018-5250-00	3/8" x 3/4" Hex Bolt
24	5	018-4703-00	5/16" x 1 1/4" Carriage Bolt
25	2	013-8049-00	5/16" Nylon Flange Nut
26	4	047-2000-00	2- Link Adjustable Deck Hange
27	1	060-7211-00	72" Deck Adustable Front (Right)
28	1	060-7210-00	72" Deck Adjustable Front (Left)
29	8	018-3003-00	1/2" x 1 1/4" Carriage Bolt
30	24	013-8050-00	1/2-13 Nylon Insert Flange Nut
31	6	022-1000-00	Deck Wheel
32	2	025-5338-00	.502 ID X .75 OD X 1.500 Leng
33	2	018-2018-00	1/2 x 3 1/2 Flange Bolt Grade 8
34	2	033-5000-00	5 3/4" Deck Idler Pulley
35	1	018-5019-00	1/2" x 4" Bolt (Grade 8)
36	1	025-5339-00	1 3/4" Pulley Spacer
37	1	039-6945-00	Deck Idler Bracket
38	2	019-6017-00	.635 ID Plastic Washer
39	1	018-5311-00	5/8" x 4" Hex Bolt
40	1	013-5301-00	5/8-11 Nylon Insert Jam Half Nut
41	1	034-2009-00	2009 Deck/Pump Idler Spring
42	1	018-1050-00	1/2 x 2" Carriage Bolt
43	1	019-2040-00	1/2" Flat Washer
44	1	028-6060-00	Panhard Linkage Bar
45	6	019-8054-00	.505 Nylon Spacer
46	4	013-5300-00	1/2" Flange Nut
47	2	031-6010-00	Deck Arm Assembly
48	2	018-1090-00	1/2" x 5 1/2" Bolt
49	2	018-6037-00	1/2-13X 2-1/4 GR Hex Bolts
50	2	014-7204-00	72 Spindle Cover
51	4	045-6043-00	5/16" Knob
52	1	041-0202-00	B202 Belt for 72" Outlaw
53	4	032-5056-00	Flange Bushing For Deck Arm upper
54	4	032-5057-00	Flange for Lower Deck Arm
55	1	039-6945-98	Deck Idler Complete Assembly- Componets 30,34,37,56,57
56	1	025-5203-00	3/4 OD x 1/2 ID x 3\4 Length
57	1	018-7016-00	1/2-13 x GR 5 Hex Bolt Zinc
58	6	018-0010-00	Deck Wheel Bolt-2011 Outlaw
59	2	033-7201-00	5-3/4 Idler Pulley 72" Decks only
60	2	018-0022-00	1/2-13x2 Grade 8 Hex Bolt



# 037-8000-50 Double Bearing Spindle



037-8000-50			
ITEM	QTY	PART NUMBER	DESCRIPTION
1	1	037-8005-50	Aluminum Spindle Housing
2	1	037-8003-00	Tube Spacer Double Bearing Spindle
3	1	037-9050-00	Collar Spacer - Top of Spindle
4	1	037-6026-00	Short Spindle Shaft w/Locking
5	2	037-8002-00	Dust Cover
6	2	037-8001-00	Double Bearing for spindle



091-1113-00  
29 EFI Decal



091-1110-00  
810cc Decal



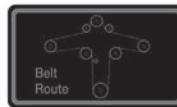
091-1106-00  
852cc Decal



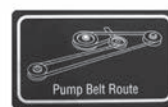
091-1112-00  
993cc Decal



091-0904-00  
54" Decal



091-3309-00  
Deck Belt Route Decal



091-3017-00  
Pump Belt Route Decal



091-1111-00  
726cc Decal



091-1108-00  
747cc Decal



091-0917-00-00  
61" Decal



091-0920-00  
Outlaw Decal Cluster



091-3012-00  
Danger Decal- Spindle/Discharge



091-0902-00  
Logo Decal-Floorboard



091-0918-00  
72" Decal



091-1105-00  
Outlaw Deck Height Decal



091-3060-00  
Swing-Away Patent Decal-



091-0919-00  
Armortek Decal



091-3150-00  
Outlaw Warning Decal



091-1020-00  
hydraulic tank

**2014 LIMITED WARRANTY  
FOR  
BAD BOY COMMERCIAL MOWER  
(CZT, STAND ON, DIESEL, OUTLAW, OUTLAW EXTREME, and OUTLAWXP)**

**1. WHAT THIS WARRANTY COVERS, AND FOR HOW LONG:**

Bad Boy, Inc. will, at its option, repair or replace, without charge, any part covered by the warranty which is found to be defective in material and/or workmanship within two (2) years\* after date of sale to the original retail purchaser unless the product is used for rental purposes, in which case this warranty is limited to ninety (90) days.

The leading edge of the deck shell will be warranted for the entire lifetime of the machine to the original purchaser against defects in materials and workmanship. Labor required to repair or replace the leading edge of the deck shell will be covered by Bad Boy Inc. for two years and at the unit owner's expense during the balance of the lifetime of the machine.

The Bad Boy ZT Series, featuring the **Integrated Zero Turn Transaxle**, used commercially will carry the shorter of a one year or 200 hour warranty, **parts only**. Labor on a Bad Boy ZT Series machine used commercially will not be covered by Bad Boy Inc. and will be the unit owner's responsibility.

**Belts** are warranted for a period of ninety (90) days against materials or workmanship defects.

**Seats** are warranted for a period of (6) months against material or workmanship defects.

At Bad Boy, Inc.'s request, customer will make the defective part available for inspection by Bad Boy, Inc. and/or return the defective part to Bad Boy, Inc., transportation charges prepaid.

**2. WHAT THIS WARRANTY DOES NOT COVER:**

A. This warranty does not cover defects caused by depreciation or damage caused by normal wear, accidents, improper maintenance, improper use or abuse of the product, alterations, or failure to follow the instruction contained in the Owner's Manual for operation and maintenance.

B. The customer shall pay any charges for making service calls and/or for transporting the mower to and from the place where the inspection and/or warranty work is performed.

Bad Boy Inc. will not be responsible for the pickup and delivery of a machine for warranty purposes.

C. **Engines** are warranted separately by their respective manufacturer. The available warranties covering this item are furnished with each mower. Bad Boy, Inc. does not assume any warranty obligation, liability or modification for this item, which is covered exclusively by the stated warranty of the respective manufacturers.

D. **Tires, blades, deck anti-scalping wheels** are considered to be consumable wear items and are therefore **not warranted**.

E. **Batteries** are warranted for six months (**free replacement**) from the retail purchase date against materials or workmanship defects. *The battery warranty must be obtained through the battery manufacturer.*

**3. HOW TO OBTAIN SERVICE UNDER THIS WARRANTY:**

A. Warranty service can be arranged by contacting the dealer where you purchased the mower or by contacting Bad Boy, Inc. Proof of the date of purchase may be required to verify warranty coverage.

B. Warranty claims will not be reviewed or paid unless the warranty registration card is received by Bad Boy, Inc. within 30 days of the retail purchase date.

C. Warranty claims requiring parts returned will be settled upon return of parts to Bad Boy for inspection.

**4. WARRANTY LIMITATION:**

A. **THERE IS NO OTHER EXPRESS WARRANTY. ANY WARRANTY THAT MAY BE IMPLIED FROM THIS PURCHASE INCLUDING MERCHANTABILITY AND FITNESS FOR A PARTICULAR PURPOSE IS HEREBY LIMITED TO THE DURATION OF THIS WARRANTY AND TO THE EXTENT PERMITTED BY LAW ANY AND ALL IMPLIED WARRANTIES ARE EXCLUDED.** Some states do not allow limitations on how long an implied warranty lasts, so the above limitations may not apply to you.

B. **BAD BOY, INC. WILL NOT BE LIABLE FOR ANY INCIDENTAL, CONSEQUENTIAL, OR SPECIAL DAMAGES AND/OR EXPENSES IN CONNECTION WITH THE PURCHASE OR USE OF THE MOWER.** Some states do not allow the exclusion or limitation of incidental or consequential damages, so the above limitation(s) or exclusion(s) may not apply to you.

C. Only the warranty expressed in this limited warranty shall apply and no dealer, distributor, or individual is authorized to amend, modify, or extend this warranty in any way. Accordingly, additional statements such as dealer advertising or presentations, whether oral or written, do not constitute warranties by Bad boy, Inc., and should not be relied on.

D. This warranty extends only to turf equipment operated under normal conditions and properly serviced and maintained. The warranty expressly does not cover (i) any defects, damage or deterioration due to normal use, wear and tear, or exposure; (ii) normal maintenance services such as oil change, cleaning, lubrication, adjustment; (iii) replacement of services, items, such as oil, lubricants, spark plugs, belts, rubber hoses or other items subject to normal service replacement; (iv) damage or defects arising out of or relating to misuse, neglect, alteration, negligence or accident; (v) repair or replacement arising from operation of or use of the turf equipment which is not in accordance with operating instructions as specified in the operator's manual or other operational instructions provided by Bad Boy Inc.; (vi) repair or replacement arising as a result of any operation from turf equipment that has been altered or modified so as to, indetermination of Bad Boy, Inc., adversely affect the operation, performance or durability of the equipment or that has altered, modified or affected the turf equipment so as to change the intended use of the product; (vii) repair or replacement necessitated by use of parts, accessories or supplies, including gasoline, oil or lubricants, incompatible with the turf equipment or other than as recommended in the operator's manual or other operational instructions provided by Bad Boy, Inc.; (viii) repairs or replacements resulting from parts or accessories which have adversely affected the operation, performance or durability of the turf equipment; or (ix) damage or defects due to or arising out of repair of turf equipment by person or persons other than an authorized Bad Boy, Inc., service dealer or the installation of parts other than genuine Bad Boy, Inc., recommended parts.

**As a condition to this warranty, customer shall have read the operator's manual and shall have returned to Bad Boy, Inc., within the prescribed time, the enclosed warranty registration card.**

E. This warranty gives you specific legal rights, and you may also have other rights, which vary from state to state.



**Bad Boy, Inc.**  
**102 Industrial Drive**  
**Batesville, AR 72501**  
**1.866.622.3269**  
**www.badboymowers.com**

**Technical Support:**

James Russell..... james.russell@badboymowers.com

**Warranty:**

Jack Vaughn ..... jack.vaughn@badboymowers.com

**Parts:**

Tim Tosh..... tim.tosh@badboymowers.com

Robert Patterson ..... robert.patterson@badboymowers.com

*Cut and Mail or Fill Out Online under 'Owners' at www.badboymowers.com*

**WARRANTY REGISTRATION**

Full Name \_\_\_\_\_

Address \_\_\_\_\_

City \_\_\_\_\_

State \_\_\_\_\_ Zip \_\_\_\_\_

**SERIAL #**

Purchase Date \_\_\_\_\_ Telephone \_\_\_\_\_

Purchased From \_\_\_\_\_

*"I certify that I have been properly instructed on operating this machine."*



For additional information, please see us at  
**[www.badboymowers.com](http://www.badboymowers.com)**

Bad Boy, Inc.  
102 Industrial Drive  
Batesville, Arkansas 72501  
(870) 698-0090

*Cut and Mail or Fill Out Online under 'Owners' at [www.badboymowers.com](http://www.badboymowers.com)*

*Place Stamp  
Here*

*POST OFFICE  
WILL NOT DELIVER  
WITHOUT POSTAGE*



**BAD BOY MOWERS**

102 Industrial Drive  
Batesville, AR 72501