



**MZ MODEL**

**ZERO-TURN MOWER  
OWNER'S, SERVICE & PARTS MANUAL**

For additional information, please see us at  
[www.badboymowers.com](http://www.badboymowers.com)

Bad Boy, Inc.  
102 Industrial Drive  
Batesville, Arkansas 72501  
(870) 698-0090

---

# TABLE OF CONTENTS

Basic Information..... Section 1 (pages 4–5)

Bad Boy Safety Guidelines ..... Section 2 (pages 5–6)

Operation ..... Section 3 (pages 6–7)

Maintenance ..... Section 4 (page 7)

Storage and Transportation ..... Section 5 (page 8)

Troubleshooting and FAQ..... Section 6 (pages 8–9)

Controls ..... Section 7 (page 9)

Moving Inoperable Mower ..... Section 8 (page 10)

Instrumentation ..... Section 9 (page 10)

Mower Blade Maintenance..... Section 10 (page 11)

Greasing Bearings..... Section 11 (pages 11)

How to choose the right blade .....Page 15

Mowing Tips .....Page 16

**SERVICE SECTION BEGINS ON PAGE 17**  
**PARTS SECTION BEGINS ON PAGE 24**  
**LIMITED WARRANTY PAGE 42**



## This manual applies to the following equipment:

### Bad Boy MZ Series

MZ 42" 540cc Briggs

MZ 42" 726cc Kawasaki

## COMMONLY USED ITEMS AND PART NUMBERS

42" MZ Blade	Hi-Lift Fusion 038-4221-00	Gator Blade 038-4222-00
42" MZ Deck Belt	041-0120-00	
MZ Pump Belt	041-6400-00	
Oil Filter	Briggs 540 cc 063-8018-00	Kawasaki Engine 063-8017-00
Air Filter	Briggs 540 cc 063-4026-00	Kawasaki Engine 063-2097-00
Motor Oil	10w30 (2 quarts)	
Hydro Oil	20w50 (not serviceable)	

---

## SECTION 1: BASIC INFORMATION

Congratulations on the purchase of your new Bad Boy Mower! The purpose of this manual is to assist operators in maintaining and operating their machine. The information and instructions in this manual can help you attain years of performance from your new Bad Boy. Also, check out our website to learn more about the Bad Boy family.

- 1.1 All Bad Boy engines use 10W30 engine oil. Conventional or Synthetic may be used.
- 1.2 All Bad Boy hydraulic systems use 20W50 engine oil. Conventional or Synthetic may be used.
- 1.3 All Bad Boy Mowers use hi-temp multi-purpose grease. NLGI No. 2 for the grease fittings.
- 1.4 MZ models have 12 psi in both front and rear tires.
- 1.5 Most Briggs, Kohler, Kawasaki, and Vanguard engines hold approximately two (2) quarts of motor oil. Be careful not to over fill engine oil. Refer to the engine's service manual.

### Warranty Registration

The Warranty Registration form must be completed and signed to validate your warranty. As the new equipment owner, you are expected to see that the form is completed and forwarded to Bad Boy, Inc., at time of delivery. Warranty is non transferable.

### Model/Serial Number

Your MZ model serial numbers are found on the SIN plate underneath seat. The serial numbers are necessary on the warranty registration form. Also, these numbers can assist you in the ordering of new parts when replacements become necessary.

### Parts/Service

Only Bad Boy replacement parts are to be used on your mower.

Replacement parts are available through your local Bad Boy Mower Dealer. Remember to always provide the following information when ordering parts:

1. Correct part number
2. Correct serial number

All warranty repair and service must be handled through your authorized Bad Boy Mowers dealer.

To locate the nearest dealer, go to our website and click on Locate a Dealer.

## EVAPORATIVE EMISSION CONTROL WARRANTY STATEMENT

### ***Federal Evaporative Emission Control Warranty: Your Warranty Rights and Obligations***

The Environmental Protection Agency (EPA), and Bad Boy Inc. are pleased to explain the evaporative emission control system's warranty on your 2014 equipment. New equipment that uses spark ignition engines for off-road use must meet stringent anti-smog standards.

The evaporative emission control system on your equipment is designed, built, and equipped so it conforms at the time of sale to the ultimate purchaser with the requirements of 40 CFR 1060. The evaporative emission control system is free from defects in materials and workmanship that may keep it from meeting said requirements. Bad Boy Inc. must warrant the evaporative emission control system on your equipment for two years provided there has been no abuse, neglect or improper maintenance. If an evaporative emission control system component does fail in a manner that would cause the equipment to no longer meet the requirements of 40 CFR 1060 within the first two years Bad Boy Inc. will replace the defective component. Your evaporative emission control system may include parts such as fuel tanks, fuel lines, carbon canisters, fuel caps, valves, vapor hoses, clamps, or connectors.



---

## SECTION 2: MOWER SAFETY GUIDELINES

Never allow untrained people to operate this machine. It is the owner's responsibility to get training and see to it that anyone who has permission to use your machine receives the proper training. Do not mow around people. The factory discharge chute is designed to deflect debris downward, but it could be possible for debris to be thrown in a way that can cause damage to people or property. Seek additional training when possible to learn more about safety techniques and practices. **This cutting machine is capable of amputating hands and feet and throwing objects. Failure to observe the following safety instructions could result in serious injury or death.**

### GENERAL OPERATION

- 2.1 Read, understand, and follow all instructions on the machine and in the manual before starting.
- 2.2 Do not put hands or feet near rotating parts or under the machine. Keep clear of the discharge opening at all times.
- 2.3 Always remain seated while operating the machine. If the machine is equipped with Roll Over Protection (ROPs), always buckle your seat belt.
- 2.4 Only allow responsible adults who are familiar with the instructions to operate this machine.
- 2.5 Clear the area of objects such as rocks, wire, toys, etc., which could be thrown by the blades.
- 2.6 Always maintain a safe distance from people and pets just prior to, and during, operation. Stop the machine if anyone enters the area.
- 2.7 Never carry passengers.
- 2.8 Do not mow in reverse unless absolutely necessary. Always look down and behind before and while backing.
- 2.9 Never direct discharged material toward anyone. Avoid discharging material against a wall or obstruction as material may ricochet back toward the operator. Stop the blades when crossing gravel surfaces.
- 2.10 Never operate the machine without the discharge chute, grass catcher, or other safety devices correctly in place and functioning properly.
- 2.11 Slow down before turning.
- 2.12 Always disengage blades, place steering controls in neutral, engage parking brake, and remove ignition key when leaving operators seat. Never leave a running machine unattended.
- 2.13 Disengage blades when not mowing. Shut off engine and wait for all parts to come to a complete stop before cleaning the machine, inspecting the machine for damage, removing the grass catcher, or unclogging the discharge guard.
- 2.14 Always operate machine in daylight or with adequate working lights.
- 2.15 Do not operate the machine while under the influence of alcohol or drugs.
- 2.16 Watch for traffic when operating near or crossing roadways.
- 2.17 Always wear eye protection when operating or servicing the machine.
- 2.18 Always wear ear protection, such as earplugs, while mowing.
- 2.19 Use extra care when loading or unloading the machine into a trailer or truck.
- 2.20 Be alert of surroundings. Watch for rocks, stumps, mounds, depressions, and low hanging limbs or objects that could be potentially hazardous while mowing.
- 2.21 Data indicates that operators 60 years of age and above are involved in a large percentage of riding mower related injuries. These operators should periodically evaluate their ability to operate the riding mower safely enough to protect themselves and others from serious injury.

---

## SLOPE OPERATION

Slopes are a major factor related to loss of control and tip over accidents, which can result in severe injury or death. Operation on all slopes requires extra caution. If you cannot back up the slope, or you feel uneasy on it, do not mow it.

- 2.22 Mow up and down slopes, not across.
- 2.23 Watch for holes, ruts, bumps, rocks, or other hidden objects that tall grass can obscure. Uneven terrain could overturn the machine.
- 2.24 Choose a low ground speed when operating the machine on a slope.
- 2.25 Do not mow on wet grass, the tires may lose traction.
- 2.26 Do not attempt to coast down a slope in the neutral position.
- 2.27 Avoid starting, stopping, or turning on a slope. If the tires lose traction, disengage the blades and proceed slowly, straight down the slope.
- 2.28 Keep all movement on slopes slow and gradual. Sudden changes in speed or direction could cause the machine to roll over.
- 2.29 Use extra care while operating machine with grass catchers or other attachments: they can affect the stability of the machine. Do not use on steep slopes.
- 2.30 Do not try to stabilize the machine by putting your foot on the ground.
- 2.31 Do not mow near drop offs, ditches or embankments. The machine could suddenly roll over if a wheel goes over the edge or the edge caves in.
- 2.32 Be aware of what is located at the bottom of slopes. For example: rocks water, cliffs, and roadways.

## CHILDREN

Tragic accidents can occur if the operator is not alert to the presence of children. Children are often attracted to the machine and the mowing activity. NEVER assume that children will remain where you last saw them.

- 2.33 Keep children out of the mowing area and in the watchful care of a responsible adult other than the operator.**
- 2.34 Maintain alertness and turn machine off if a child enters the area.**
- 2.35 Before and while backing, look behind and down for small children.**
- 2.36 Never carry children, even with the blades shut off. They may fall off and be seriously injured or interfere with safe machine operation. Children who have been given rides in the past may suddenly appear in the mowing area for another ride and be run over or backed over by the machine.**
- 2.37 Never allow children to operate the machine.**
- 2.38 Never leave key in the ignition, especially around children.**
- 2.39 Use extreme care when approaching blind corners, shrubs, trees, or other objects that may block your view of a child.**

## TOWING

- 2.40 Tow only with a machine that has a hitch specifically designed for towing. Do not attach towed equipment except at the hitch point.
- 2.41 Follow the manufacturer's recommendation for weight limits for towed equipment and towing on slopes.
- 2.42 Never allow children or others in or on towed equipment.
- 2.43 On slopes, the weight of the towed equipment may cause loss of traction and loss of control.
- 2.44 Travel slowly and allow extra distance to stop.



---

## **SERVICE:**

### **SAFE HANDLING OF GASOLINE**

To avoid personal injury or property damage, use extreme care in handling gasoline. Gasoline is extremely flammable and the vapors are explosive.

- 2.45 Extinguish all cigarettes, cigars, pipes, and all other sources of ignition.
- 2.46 Use only an approved gasoline container.
- 2.47 Never remove gas cap or add fuel with the engine running.
- 2.48 Allow engine to cool before refueling.
- 2.49 Never fuel the machine indoors.
- 2.50 Do not store machine near open flame or source of ignition, such as a water heater or furnace.
- 2.51 Remove gas powered equipment from the truck or trailer and refuel it on the ground. If this is not possible, then refuel such equipment with a portable container, rather than from a gasoline dispenser nozzle.
- 2.52 Never fill gasoline containers inside a vehicle or on a truck or trailer bed with a plastic liner. Always place containers on the ground away from your vehicle before filling.
- 2.53 Keep the nozzle in contact with the rim of the fuel tank or container opening at all times until the fueling is complete. Do not use a nozzle lock-open device.
- 2.54 If fuel is spilled on clothing, change clothing immediately.
- 2.55 Never overfill fuel tank. Replace gas cap and tighten securely.

### **GENERAL SERVICE**

- 2.56 Never operate machine in a closed area where dangerous carbon monoxide fumes can collect.
- 2.57 Keep all nuts and bolts tight to be sure the equipment is in safe working condition. Never operate a poorly maintained machine.
- 2.58 Do not touch hot areas of the machine.
- 2.59 Never interfere with the intended function of a safety device or reduce the protection provided by a safety device. Check their proper operation regularly.
- 2.60 Keep the entire machine free of grass, leaves, or other debris build up. Clean up oil or fuel spillage and remove any fuel soaked debris. Failure to do so can affect the safety and functionality of the machine, as well as increase the danger of a fire due to contact with the hot surfaces of the machine.
- 2.61 Allow machine to cool before storing.
- 2.62 If you strike something with the mower, turn the mower and blades off, engage the parking brake, and inspect the machine for damage. Repair, if necessary, before resuming.
- 2.63 Never make any adjustments or repairs with the engine running.
- 2.64 Check grass catcher components and the discharge guard frequently and replace with manufacturer's recommended parts, when necessary.
- 2.65 Mower blades are sharp. Wrap the blade or wear gloves before servicing them.
- 2.66 Check parking brake operation frequently. Adjust and service as required.
- 2.67 Maintain or replace safety and instruction labels, as necessary.
- 2.68 Do not attempt to mount a tire without the proper equipment and experience to perform the job.

- 
- 2.69 Always maintain the correct tire pressure. Do not inflate the tires above the recommended pressure. Never weld or heat a wheel and tire assembly. The heat can cause an increase in air pressure resulting in a tire explosion. Welding can structurally weaken or deform the wheel.
  - 2.70 Park machine on level ground. Never allow untrained personnel to service machine. Understand service procedure before doing work.

## SAFETY INTERLOCK SYSTEM

Your Bad Boy mower is equipped with a safety interlock system. This system is designed to prevent serious injury or death to the operator and other people or property damage. The system consists of an operator presence switch in the seat, the parking brake, drive lever neutral position, the mower blade engagement switch, and the ignition switch.

These interlocks are vitally important and must be tested frequently. Following are instructions to test these very important safety precautions. **Note: the operator must be seated properly on the machine during these tests and the engine should have been previously allowed to warm to operating temperature.**

- 2.71 With the parking brake engaged, bring lever arms to their inward position, then attempt to start the machine (the blade actuator should be in off position); the engine should not start.
- 2.72 On a level surface, disengage the parking brake and place lever arms to their outward position, then attempt to start the machine (the blade actuator should be in off position); the engine should not start.
- 2.73 Engage parking brake and leave lever arms in outward position, put blade actuator in the on position, then attempt to start the machine; the engine should not start.
- 2.74 Next, start the engine as stated in the "Mower Operation Section", disengage parking brake, and Very Slowly begin to rise from the seat; the engine should stop.

If any of these tests fail to produce the results indicated and the problem cannot be identified, contact your Bad Boy Mower dealer or the support contacts in the rear of this manual.

## ROLL OVER PROTECTION STRUCTURES (ROPS)

If your machine is equipped with ROPS, it is of utmost importance they are used properly. ROPS, when used correctly, dramatically decrease the fatality rate in instances when the machine overturns.

- 2.75 Periodically ensure the bolts that attach the ROPS to the machine are securely fastened.
- 2.76 Always operated the machine with the ROPS secured in the upright position.
- 2.77 If the surrounding environment (e.g. low lying limbs, signage, etc.) makes it impossible to mow with the ROPS upright, lower the ROPS at the hinge point, mow the area, then immediately secure the ROPS upright.
- 2.78 Upright ROPS are taller than then operators head. Be aware of this and your surrounding environment, as referenced above. The mower and operator may clear low lying items, but the ROPS may not.
- 2.79 Always wear the provided seat belt when ROPS are utilized. Failure to use the seat belt severely handicaps the safety benefits of the ROPS.
- 2.80 In the event of a roll-over, replace the ROPS before resuming use of the machine.





---

## SECTION 3: MOWER OPERATION

***Never operate the machine with faulty equipment. Always be alert of sudden changes in landscape, as the mower will react differently on slopes or embankments than it will on flat surfaces. Never operate the mower with the discharge chute open. Do not cross terrain, other than grass, with blades turning. This could cause damage to property or bystanders.***

- 3.1 Place parking brake in up position
- 3.2 Drive arms must be in the “open” position. While sitting on the machine, each arm is positioned away from the operator, to the right and left. Drive arms will lock into place and must be in this position to start machine.
- 3.3 Put PTO switch in the OFF position.
- 3.4 If your machine has been equipped with a ROPS (Roll Over Protection System) then you must fasten seatbelt.
- 3.5 If machine has not been started recently, engage the choke.
- 3.6 Make sure nothing is under or around machine.
- 3.7 Place key in ignition and turn.
- 3.8 Once machine is started, disengage the choke.
- 3.9 Increase RPM by sliding the throttle to fast position, toward the rabbit.
- 3.10 Owners must become familiar with the controls before operating a zero-turn radius vehicle.
- 3.11 Start slowly and build your skill level. Have ample practice before using the machine at full capabilities.
- 3.12 Be comfortable with machine before engaging blades. Know what each component controls before using machine.
- 3.13 Your mower will perform differently on an incline /decline. Be cautious, slow down, and do not make any sudden jerking movements with control arms. The machine could lose traction on a decline or tip backwards on an incline.
- 3.14 Once you become comfortable with your Bad Boy Mower you will notice your overall mowing time will decrease.

***Avoid operating your mower on side hills of over 5 degrees,  
inclines of over 10 degrees,  
and declines of over 15 degrees.***

---

## SECTION 4: MOWER MAINTENANCE

*\*\*Check each and provide maintenance when needed.*

### DAILY

- 4.1 Check Engine Oil
- 4.2 Check Engine Air Filter
- 4.3 Tire Pressure
- 4.4 Inspect Blades

***Within FIRST five hours of usage, change engine oil and filter***

### EVERY 30 HOURS OF USAGE

- 4.5 Grease Machine

### EVERY 50 HOURS OF USAGE

- 4.6 Change Engine Oil and Filters

***Check filters once a year if under 50 hours***

***Check air and fuel filters more often in dry, dusty conditions***

***Within FIRST 50 hours of usage, change hydraulic oil and filters***

### EVERY 250 HOURS OF USAGE

- 4.7 Change Hydraulic Fluid and Filters
- 4.8 Refer to manufacturer manual for specific information on maintenance schedules.

## SECTION 5: MOWER STORAGE & TRANSPORTATION

- 5.1 Keep machine from collecting debris by storing in a covered area while not in use.
- 5.2 Fuel can harm your machine if left for more than 30 days without changing, especially if the fuel contains ethanol. Never use fuel with more than 10% ethanol by volume. E-15 is not permitted.
- 5.3 Disconnect the negative battery cable when machine will be stored for more than 30 days.
- 5.4 Always secure machine properly when transporting machine.
- 5.5 Do not load machine on trailer with blades engaged.
- 5.6 Do not use ramps to load the machine.
- 5.7 Make sure Parking Brake is in “up” position.
- 5.8 In wet conditions tires may spin while loading / unloading. If necessary, wait for dry conditions before loading / unloading.
- 5.9 Make sure mode of transportation is suitable to bear the weight of mower.
- 5.10 Deck height should be set at maximum before attempting to load.
- 5.11 Secure mower with at least two straps capable of securing weight of mower.



---

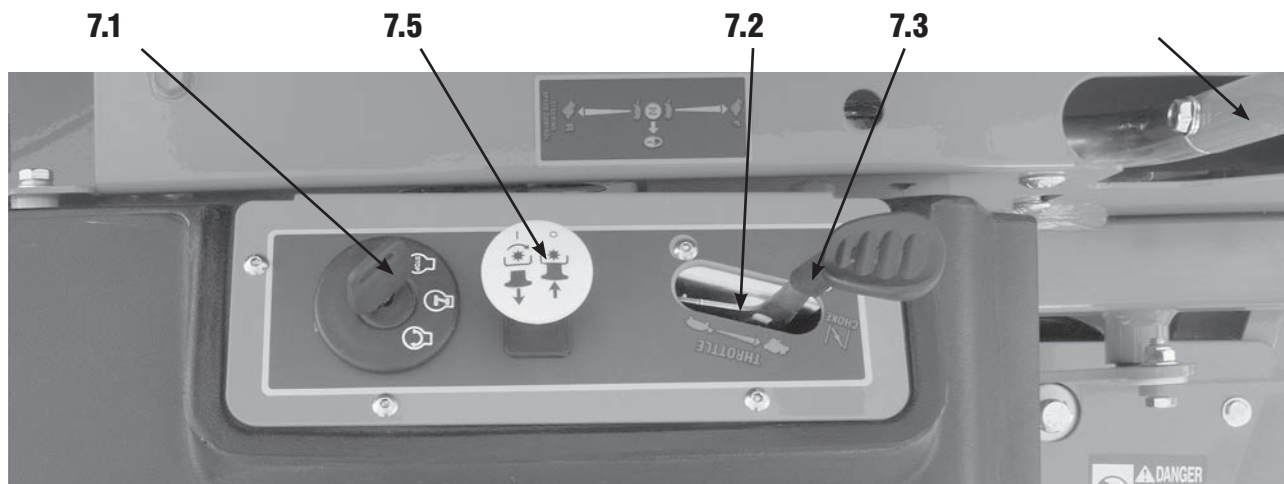
## SECTION 6: TROUBLESHOOTING

- 6.1 **Q:** *How do I prevent an uneven cutting pattern and increase the quality of cut?*
- 6.1 **A:** Check tire pressure, check blade sharpness (replace blades or sharpen at least once per year or when needed), make sure blades are tightened properly, check spring and belt tension, check the underside of the deck to ensure the mower deck is free of grass build-up and debris, make sure your machine is at full throttle, and vary your mowing pattern each time you cut your grass.
- 6.2 **Q:** *What should I do if my mower won't start?*
- 6.2 **A:** Check battery charge and connection (grounds), check your fuel (make sure fuel is less than 30 days old and contains no water), make sure your spark plug is in good condition and spark plug wire is attached, and make sure air filter is clean (a dirty filter makes it more difficult for the engine to draw air). Check for broken wires or bad connections.
- 6.3 **Q:** *What should I do if the blades won't engage?*
- 6.3 **A:** Make sure the safety switch is plugged in on the bottom of seat. Check the underside of the PTO engager to ensure the plug is secure at switch. Also check PTO fuse underneath operator console (10amps)
- 6.4 **Q:** *What type of fuel is recommended for my mower?*
- 6.4 **A:** We recommend that you use a name brand fuel to ensure quality. Use fuel with an octane rating near 87. Higher octane fuels offer no benefit. Only fuels with an ethanol content of 10% or less may be used. E-15 is not permitted.
- 6.5 **Q:** *Do you offer touch-up paint for your mowers?*
- 6.5 **A:** Touch-up paint is available. Contact your local dealer for more information.

---

## SECTION 7: CONTROLS

- 7.1 **Ignition Switch**—Bad Boy Mowers have a three position ignition switch: off, run, and start. With key inserted, rotate it clockwise to START position and release key when engine starts, and switch will automatically return to the RUN position.
- 7.2 **Throttle Control**—A cable is connected to the engine throttle for controlling engine speed. Move lever forward to increase engine rpm, move lever backward to decrease engine rpm.
- 7.3 **Choke Control**—Some MZ Models use the Choke-O-Matic system. In this case, the choke and throttle controls are operated by the same lever. With the lever pushed full forward, this will apply the choke. Pulling the lever back slightly will disengage the choke and will give the engine wide open throttle. DO NOT OPERATE WITH THE CHOKE APPLIED.
- 7.4 **Control Levers**—These levers control the mower's speed, direction, and neutral lock. These levers are used to steer, accelerate, decelerate and change direction. (Drive Arms)
- 7.5 **Blade Engage Switch**—This switch engages the blades. Pull the switch up to engage the blades and push the switch down to disengage the blades.





---

## SECTION 8: MOVING INOPERABLE MOWER

- 8.1 Do not tow machine. Use a winch to load on a trailer for transporting.
- 8.2 **ATTENTION:** RETURN BYPASS VALVES TO OPERATING POSITION BEFORE RUNNING MOWER FOLLOWING REPAIRS.
- 8.3 MZ Models are equipped with two neutral engage/disengage arms, located at the rear of the mower protruding from the frame and under the muffler. By pulling the arms out the mower can be put in a neutral position. Return the arms to the “forward position for normal operation.

Your Bad Boy Mower Weighs:                      **MZ SERIES:**                      **585—602 lbs**

*\*\*\* Weights fluctuate with the addition of accessories.*

- 8.5 As you can see by the weights of the machines, you shouldn't ever try to push or pull a Bad Boy Mower by hand. This could cause serious bodily injury.
- 8.6 Hopefully, you'll never need to use this section of the manual. However, if you do, use extreme caution when moving machine!

## SECTION 9: INSTRUMENTATION

- 9.1 **Electronic Hour Meter**—Registers Hour increments up to 9,999.9 total hours. This meter records the cumulative time the engine is running.

---

## SECTION 10: MOWER BLADE MAINTENANCE

- 10.1 Check mower blades after each use. This is essential for maintaining well-groomed turf. Keep the blades sharp. If a dull blade is used for cutting, the grass will tear rather than cut. This could damage the grass leaving a brown frayed top on the grass within a few hours. A dull blade will also require more power from the engine.
- 10.2 NEVER attempt to straighten a bent blade by heating. NEVER attempt to weld a cracked blade. The blades can break and cause serious injury or death.
- 10.3 NEVER work with blades while engine is running or deck clutch is engaged.
- 10.4 ALWAYS place deck clutch in DISENGAGE position while performing maintenance.
- 10.5 Use blocks when you MUST work under mower.
- 10.6 ALWAYS wear thick gloves when handling blades.
- 10.7 ALWAYS check for blade damage if mower strikes rock, branch, or other objects that could potentially damage the blade.

***(REMEMBER: NEVER CHECK BLADE WHILE ENGINE IS ON!  
NEVER CHECK BLADES WHILE BLADES ARE ENGAGED!)***

## SECTION 11: GREASING THE BEARINGS

- 11.1 Park the machine on a level surface and disengage the blade control switch.
- 11.2 Move the motion control levers outward to the neutral position, engage parking brake, stop the engine, remove the key, and wait for all moving parts to stop before leaving the operating position.
- 11.3 Grease Type: NLGI grade #2 multi-purpose gun grease. Grease the front caster pivots. 11.4 Clean the grease fittings with a cloth. Scrape any paint off the front of the fitting(s).
- 11.5 Connect a grease gun to each fitting. Pump grease in fittings until grease begins to seep out of the bearings. Wipe up excess grease.
- 11.6 Refer to service manual section for grease fitting locations.



---

## HOW TO CHOOSE THE RIGHT BLADE

Essentially there are only TWO basic styles of mowing blades used or approved for use on our current products:

- 1) The standard style of mowing blade is essentially designed for cutting grass and effectively discharging the clippings out from the deck to fall onto the lawn or to be captured in a grass collection system. Standard blades are also referred to as “2-in-1” (discharging & bagging ) or “high-lift” blades (because they are designed to create a higher-lifting airflow).
- 2) Mulching blades generally have a more curved style surface and frequently include extra cutting surfaces along the blade edges. These blades may also come in a “+” design (which is actually two individual blades arranged in a perpendicular fashion to enhance mulching). The “+” blades are usually found on older style mowers; newer ones utilize blades with more advanced mulching technology. Mulching blades may also be referred to as “3-in-1” (mulching, discharging & bagging) or “all-purpose” blades.

Bear in mind that the re-circulating airflow design of 3/1 blades makes them less efficient at discharging grass clippings than a standard 2/1 blade. As with most all-purpose tools, there is some give and take as opposed to using a tool designed for a more specific purpose.

If you’re experiencing less-than-desired cutting or discharging performance with a 3/1 blade, you may want to check into using a 2/1 blade. Conversely, if you’re using a 2/1 blade and want to mulch clippings, you should see about the availability of mulching blades or a mulching kit.\*

The type of blade installed on a new mower is a decision the retailer makes for each model of mower, based on the expected needs of most customers. If you’re unsure of which blade is on a particular model, inspect the blade. Blades have part numbers stamped into them. Then compare these part numbers with the unit’s Operator’s Manual or Parts List.

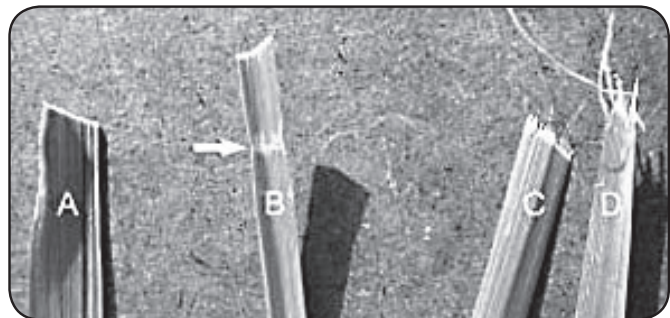
It is true there are many other styles of blades available. But since we don’t manufacture or recommend using these other aftermarket styles, we will leave them out of this discussion. Should you want more information on special application or aftermarket blades, you should contact the companies that make these products. NOTE: Customers using non-OEM blades do so at their own risk. The use of unapproved (non-OEM) blades may void any or all of the mower and engine factory warranties.

\* **MULCHING KITS** – These generally consist of mulching blades and a mulching plug (which closes off the discharge opening to keep the clippings contained under the deck for re-cutting) plus any necessary hardware for installation. Please check with your parts distributor regarding the contents of a particular mulching kit.

---

## MOWING TIPS:

- Mow header strips at the ends of the lawn and around flower beds first. Make them wide enough that you can turn the mower around in the already mown section. Then mow back and forth between these header strips overlapping each lap by about 1/8 the width of the mower's deck.
- Don't cut your grass too short, particular for cool season grasses. Higher heights usually provide for a deeper root system, looks better, and is less likely to have weeds invading, particularly crabgrass.
- Don't remove any more than one third of the grass leaf at any one cutting. If circumstances arise that a lawn gets too tall and you just have to lop off a bunch to get caught up, bite the bullet and break it down into several mowings to get caught up with 3 or so days between cuttings.
- **NEVER SCALP YOUR LAWN.** Scalping severely damages the root system to such a degree that it may die.
- Avoid mowing when the grass is wet or when it's dark
- Avoid throwing grass clippings into the street and driveway where they can be washed into the sewer system. After mowing, clean up driveway and walkways.
- When mowing remove only a third with each cutting (except for the first mowing of the season when it's ok to remove more). You can safely leave clippings that will quickly decompose and add nutrients back into the soil. Contrary to popular opinion, grass clippings do not add to thatch buildup. Grass blades are made up of about 75% water.
- Mow your lawn in a different direction with each mowing, especially with lawns of shorter grass types. Altering the direction ensures a more even cut since grass blades will grow more erect and less likely to develop into a set pattern.
- Keep your mower's blade sharp, which means having it sharpened several times during the mowing season. Keep several blades around so you'll always have a sharp one on hand. Sharp blades cut the grass cleanly and help mulch clippings into small pieces which break down quickly.
- Don't forget to change your mower's oil at least once during the mowing season. For brand new mowers, change the oil after about 5 hours of operation during the initial break-in period.
- At the end of the mowing season use a fuel stabilizer in the remaining gasoline
- In the spring, don't use that old gas unless you properly used a fuel stabilizer, it can cause a number of problems. Better to use fresh gasoline to begin the new mowing season.
- **Leaf blade A** demonstrates what a leaf blade should look like after mowing with a sharp blade.
- **Leaf blade B** demonstrates a leaf blade that was injured by a dull mower blade.
- **Leaf blade C** was cut by the mower but indicates that the mower blade is not sharp enough. The shredded white tissue protruding from the leaf blades C and D is the vascular tissue of the plant.
- **Leaf blade D** has been mown for quite some time with a dull mower blade.



## *To bag or mulch?*

Grass clippings do not contribute to thatch buildup or increase the chances of disease. If you mow your lawn at the right height, without removing any more than 1/3 of it's total height, clippings will quickly breakdown without a trace. These clippings contribute additional nitrogen and other nutrients to the soil and supply it with additional organic materials. Clippings from a 1000 sq. ft. lawn can add as much as 1 - 2 pounds of nitrogen back into the soil.

If you have a compost pile, then you may want to bag your clippings occasionally to add much needed green-matter to the compost pile. Make sure it is mixed thoroughly with brown matter to avoid a strong ammonia odor. **DO NOT COMPOST CLIPPINGS** after applying any weed control or weed-feed type product. Before adding clippings to the compost pile wait at least 3 mowings after these products have been applied.



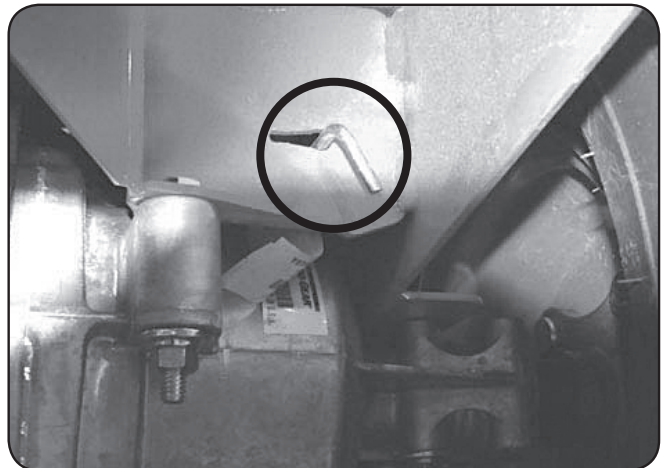
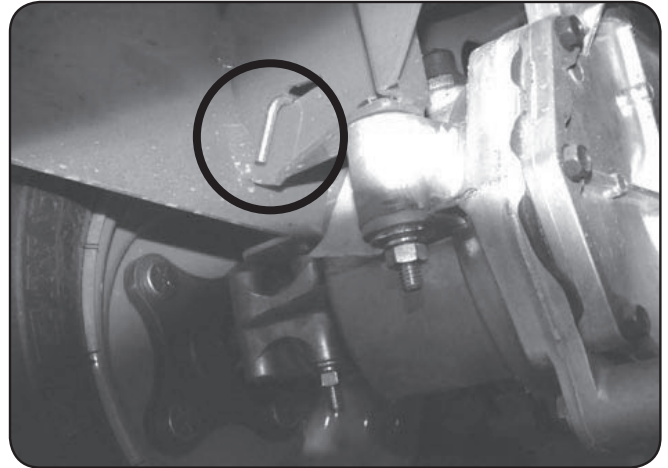


# SERVICE SECTION

## SECTION 1: HYDROSTATIC SYSTEM

The hydrostatic system on MZ models is a sealed lifetime transaxle system, so no maintenance is required.

Under the rear of the mower, you will find the two levers shown in the images. These bypass levers serve as a neutral for moving the mower without the engine running. Pull the levers out and lock them into place to activate the bypass.



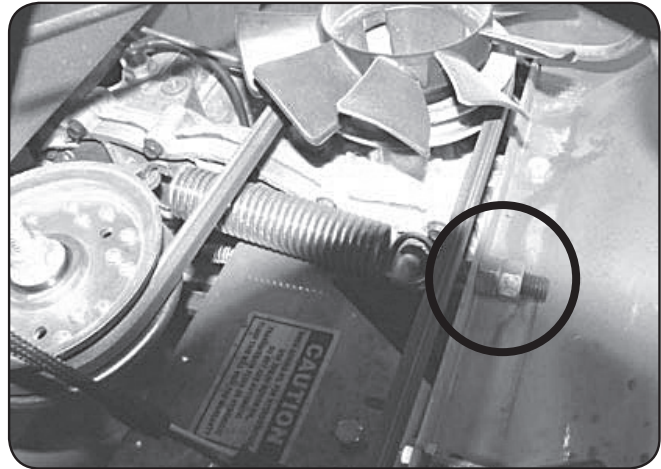
When adjusting the tracking on the mower, the length of the pushrods can be changed by screwing the swivel joint in or out on the ends of the rods. Shortening the overall length of the rod slows the pump down. Lengthening the rod will increase the speed of the pump.



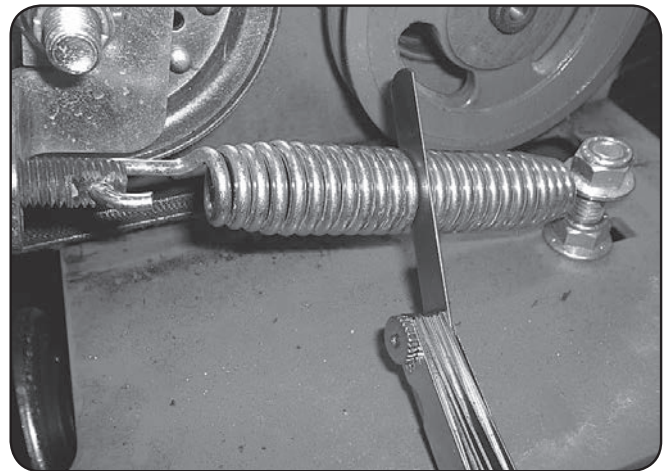
---

## SECTION 2: DRIVE BELT

Shown to the right is the MZ pump belt tensioner. Tightening the two 3/4" jam nuts on the right side will increase the belt tension.



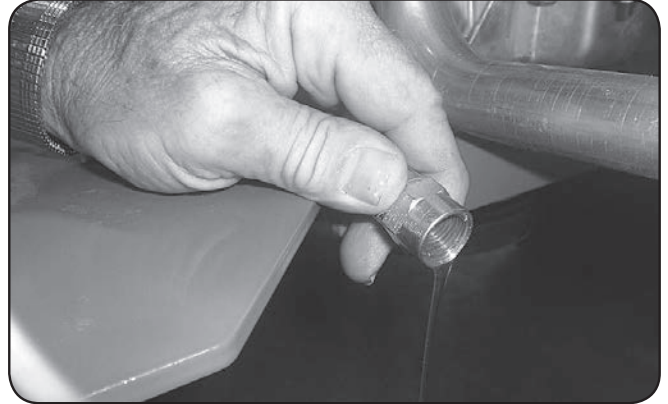
Factory setting is about .030" (about the thickness of a credit card) between coils as shown.



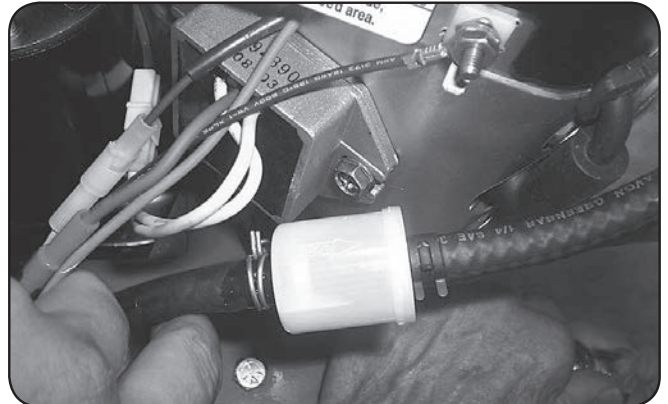


## SECTION 3: ENGINE

Some models have a drain hose installed on the engine, for easier oil changes. All gas engines used by Bad Boy use 10w30. Bad Boy recommends that the oil and filter be changed every 50 hours of usage.



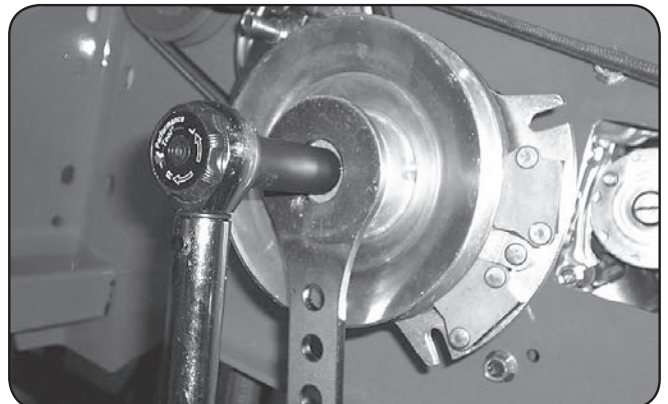
The fuel filter is located in the fuel line about 12" from the carburetor on the side of the engine. Note the direction of flow on the side of the filter. Replace once a year.



Remove and inspect air cleaner weekly. (More often in dusty conditions). Do not blow filter out with air pressure, this will cause the filter to be filled with tiny holes that will allow dirt to enter. Instead, tap filter on side to remove any debris. Replace at least once a year, more often in dusty conditions



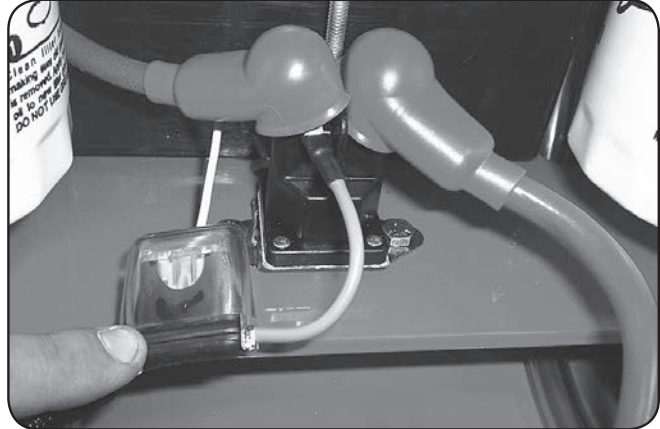
Torque the clutch bolt to 50 ft. lbs. on all models.  
Re-torque at every oil change.  
(All Models)



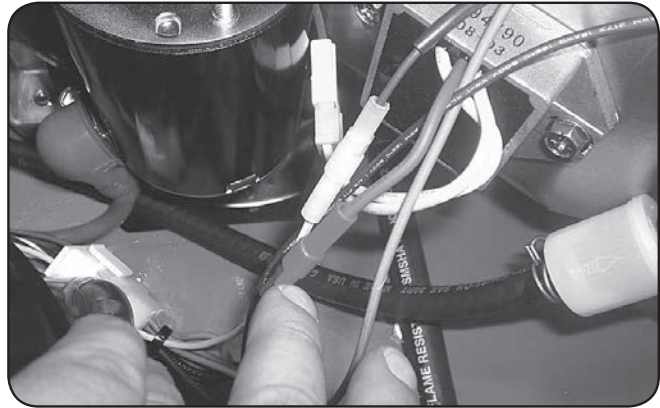
---

## SECTION 4: ELECTRICAL SYSTEM

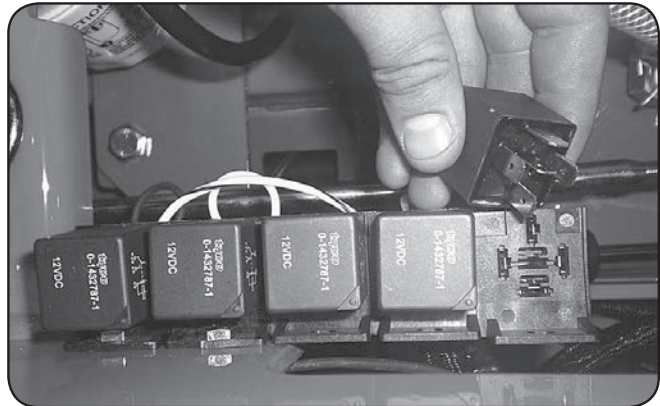
The 25 amp main fuse is located just behind the battery connected to the starter solenoid.

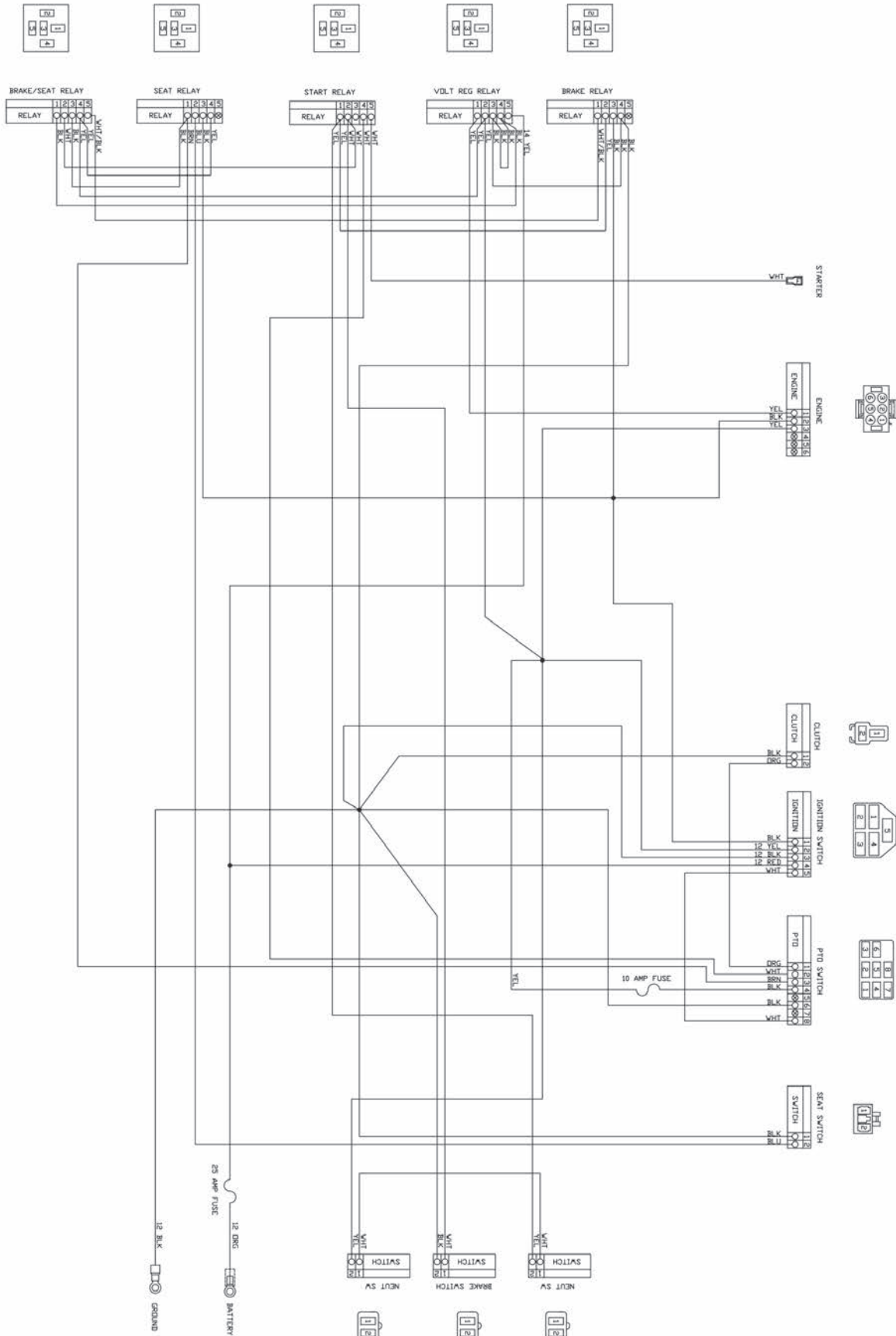


On most models, the red wire coming out of the engine is the charging wire from the alternator. Check for 13.6 - 14.2 volts dc at this wire with engine at full throttle.



Check the condition and connection of the relays located under the control panel. Ensure that they are clean and connected. Make sure that wire terminal ends have not been pushed out of the relay block.





POS.	CONTACT
OFF	1 + 3
START	2 + 4 + 5
RUN	2 + 4 + 5

- 1 = MAGNETO
- 2 = IGN. SV
- 3 = START SV
- 4 = SEAT SV
- 5 = SW

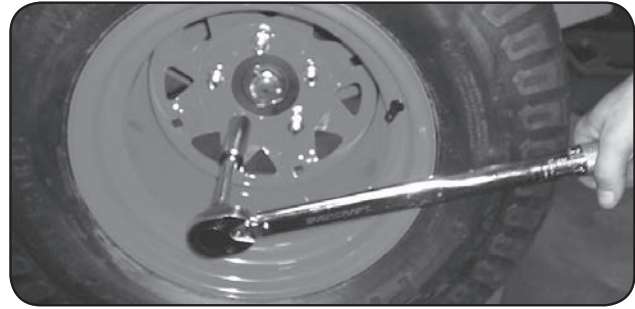


ALL WIRES 16GA UNLESS NOTED OTHERWISE.

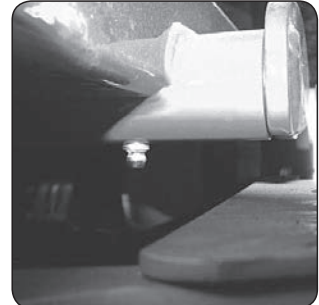
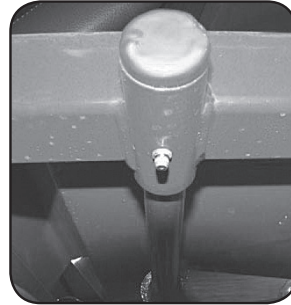
---

## SECTION 5: FRAME

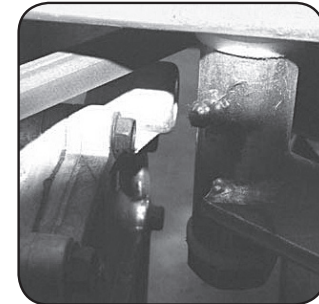
Torque rear wheel lugs to 65-75 ft. lbs. Retorque at every oil change. (All models)



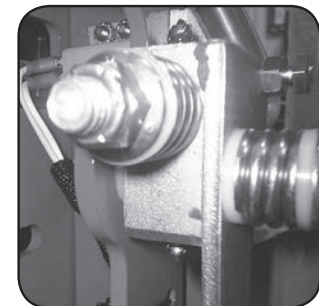
There is one grease fitting on each of the actuator bar pillow blocks (Total of 4). Grease twice a season.



The pump belt tensioner is located under the engine and has a grease fitting at its pivot point. Grease at every engine oil change.



The deck belt tensioner is located at the rear of the deck and has a grease fitting on its pivot point. Grease at every engine oil change.



The control arm blocks have grease fittings located on the top of each block. Grease one time a year.  
Grease fittings on MZ model total – 9

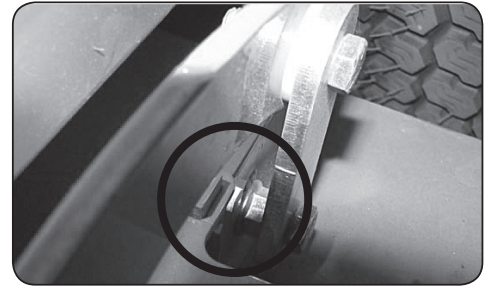
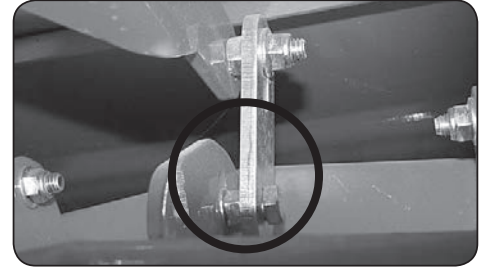
## SECTION 6: CUTTING DECK

To remove the deck belt, lift up on the belt while rotating the pulley to roll the belt up and off of the pulley. (be sure not to get your fingers between belt and pulley). To check the level of the deck, start on a flat surface and set the air pressure in all four tires. Raise the deck up, and measure all four corners of the deck to see if it is level from left to right and front to back. All decks should be level from left to right and have a 1/8" pitch down in the front.





If deck adjustments are necessary, the deck hanger bolts have adjustable slots. These adjusters affect the overall height of the deck and the level from left to right.



The deck spring tension is critical. If the tension is too much, it will cause the spring to break. If too loose, the belt can jump off or slip on the pulleys and cause a cut quality issue. With the deck up, the spring coil gap should be about .025" - .030" (about the thickness of a credit card). Spring tension adjustments can be made by sliding the bolt shown above forward or backward in the slot of the deck.



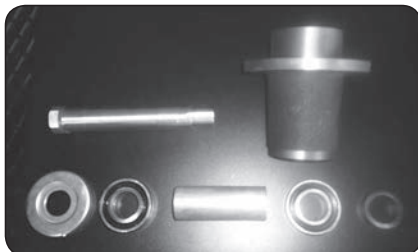
The condition of the blades can drastically affect the cut quality of the mower deck. Replace as necessary. These blades were used considerably too long. Resharpening is recommended by professionals only to determine when the blade needs to be replaced and because of the need for rebalancing.



To change blades, it may be easier to use a piece of wood to keep the blade from turning so that the bolt can be loosened.

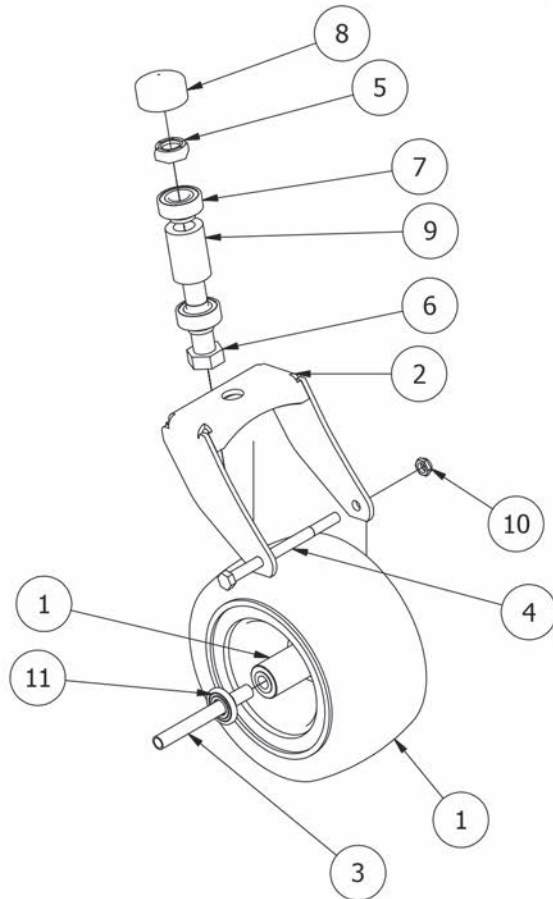
**Bolts used have standard threads.** Re-torque the blade bolts to 90-110 lbs. The blade spindles contain a sealed ball bearing in the top and bottom of the spindle. The bearings

are replaceable for a more cost effective repair.



# PARTS SECTION

## 42" MZ Front Tire Assembly

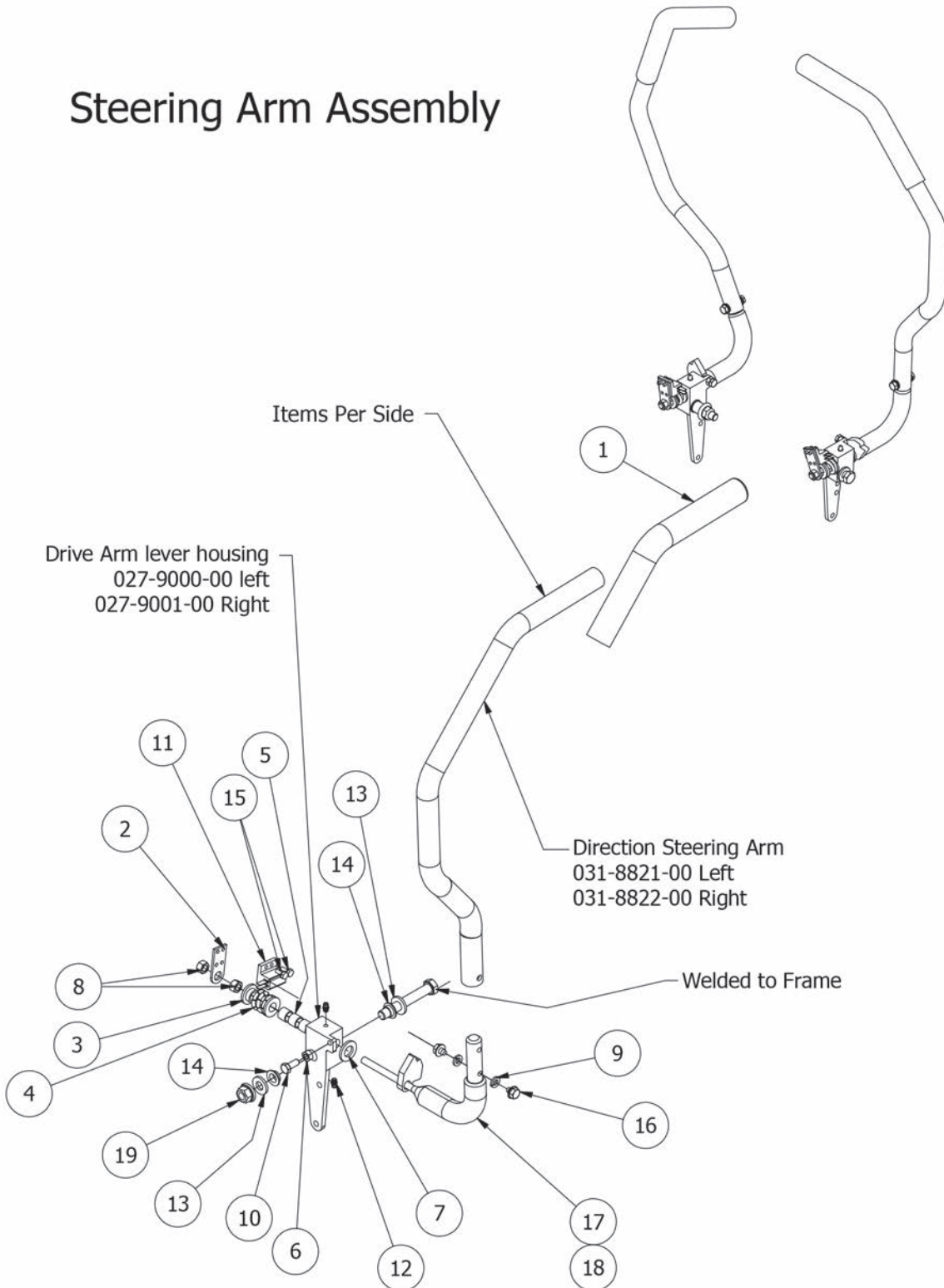


Front Tire Assembly			
ITEM	QTY	PART NUMBER	DESCRIPTION
1	1	022-8049-00	11x6-5 front tire & wheel assembly
2	1	023-1000-00	Front Fork MZ
3	1	025-0008-00	Front Wheel Spanner
4	1	018-0004-00	1/2 x 7 Hex Bolt Grade 5
5	1	013-9004-00	1" Fine Thread 1/2 Nut
6	1	018-0005-00	1-14 x 5 Hex Bolt Grade 8 Zinc Yellow
7	2	010-2000-00	Caster Bearing -MZ, 2009 & up
8	1	014-2050-00	Rubber Bearing Cap
9	1	025-0005-00	MZ Caster Bearing Spacer
10	1	018-4010-00	1/2" Nylcock Nut (1/2 Jam)
11	2	022-7009-00	Wheel Bearing



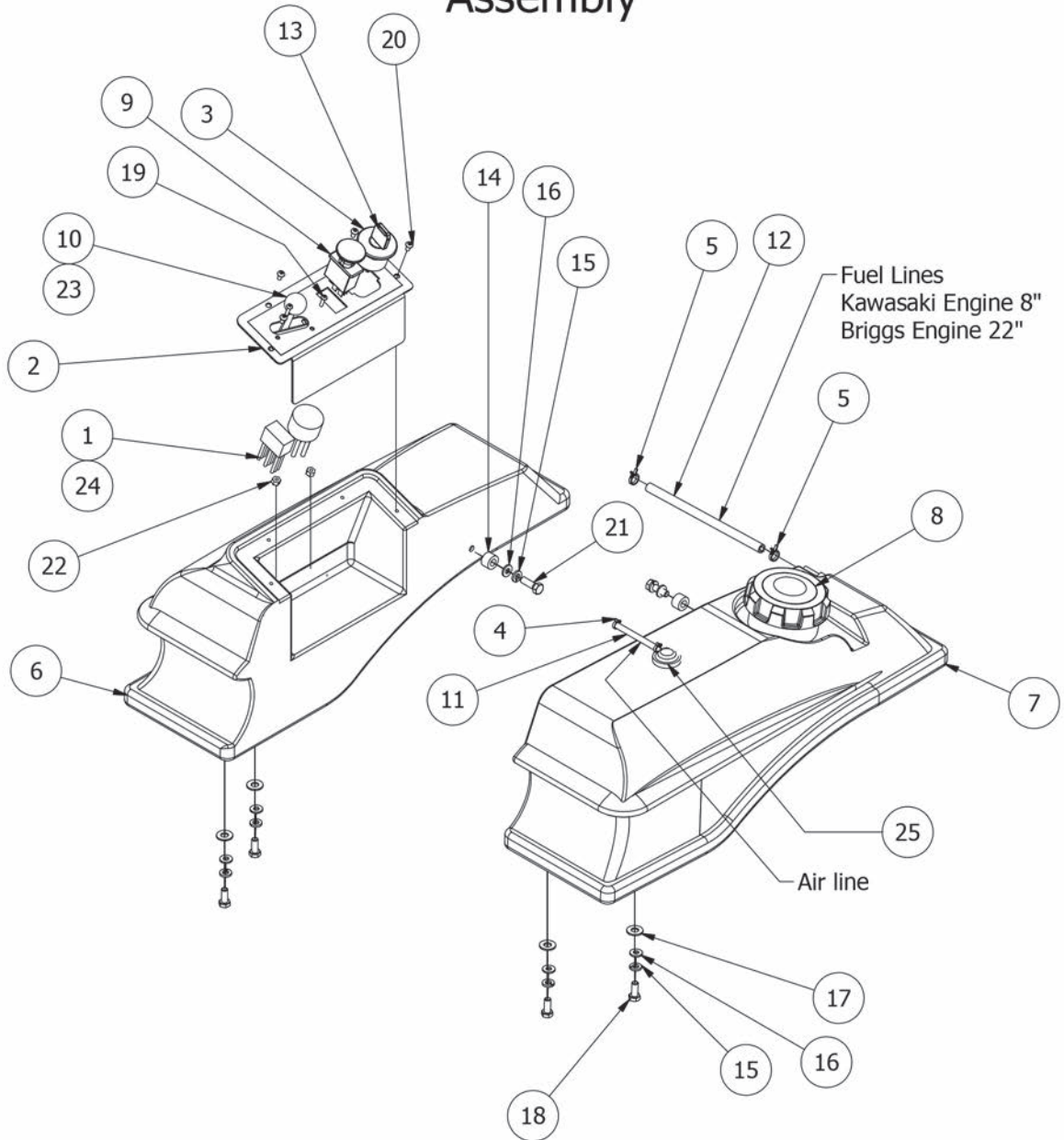


# Steering Arm Assembly



Steering Arm Assembly			
ITEM	QTY	PART NUMBER	DESCRIPTION
1	1	069-4010-00	Rubber Grip
2	1	039-1125-00	MZ Switch Bracket
3	2	019-8027-00	.515 ID Nylon Shoulder Washer
4	1	034-8025-00	Drive Lever Spring
5	3	032-8024-00	.507 ID Nylon Bushing
6	1	013-8043-00	5/16" Nut
7	1	019-6017-00	.635 ID Plastic Washer
8	2	013-6051-00	3/8" Fine Threaded Jam Nut
9	2	019-8051-00	5/16" Lock Washer
10	1	018-8063-00	5/16" x 3/4" Hex Bolt
11	1	077-8073-00	Safety Switch
12	2	024-6034-00	1/4" Drive in Grease Fitting
13	2	019-7000-00	.505x1x .125 Oil Impregnated washer
14	2	032-5055-00	Bushing For 2012 Drive arm
15	2	018-1080-00	12-24x 1/2 HWH Bolt
16	2	018-2020-00	5/16-18 1/2 HWH Bolt-Steering
17	1	031-9025-00	Steering Arm Elbow (Right)
18	1	031-9020-00	Steering Arm Elbow ( Left)
19	1	013-0085-00	1/2-13 Hex Flange (GR.G) ZC

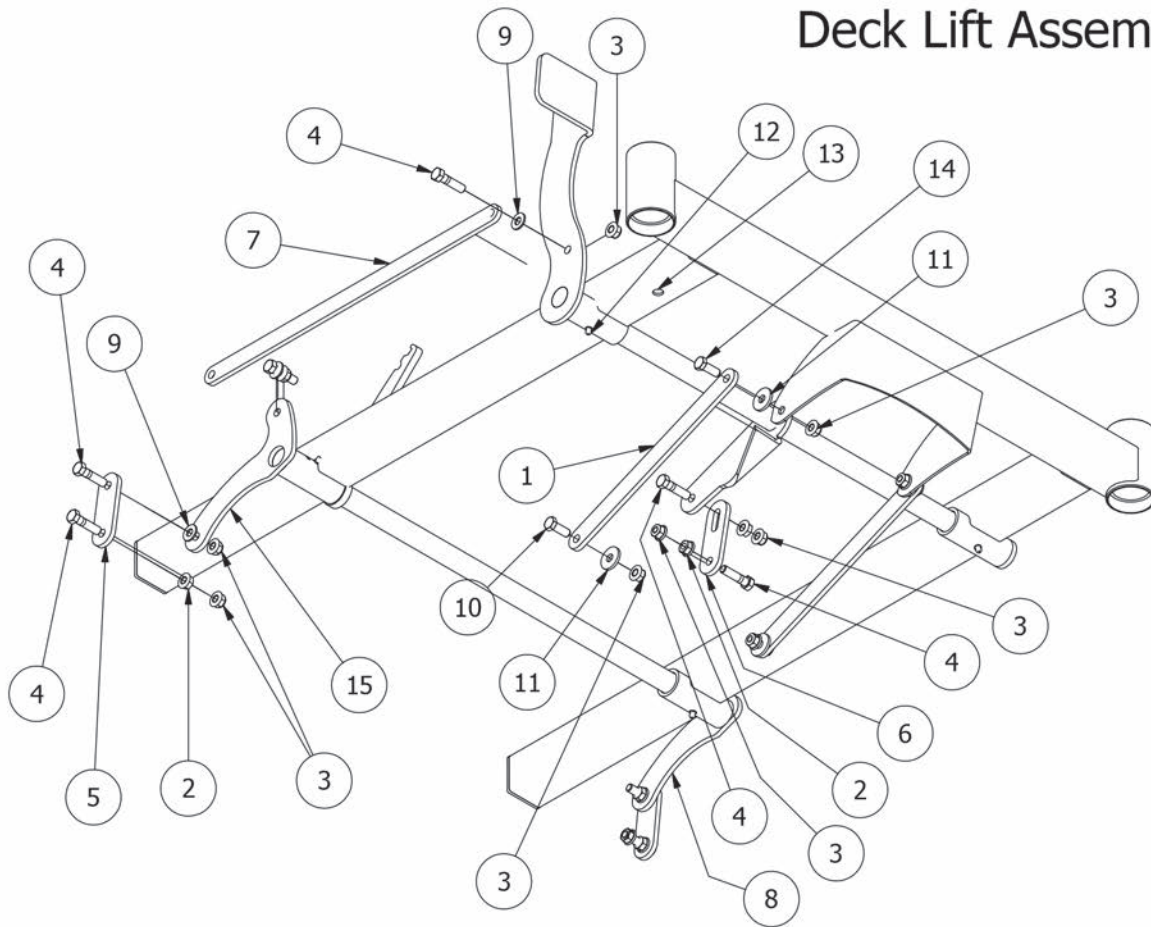
## Gas Tank and Control Panel Assembly



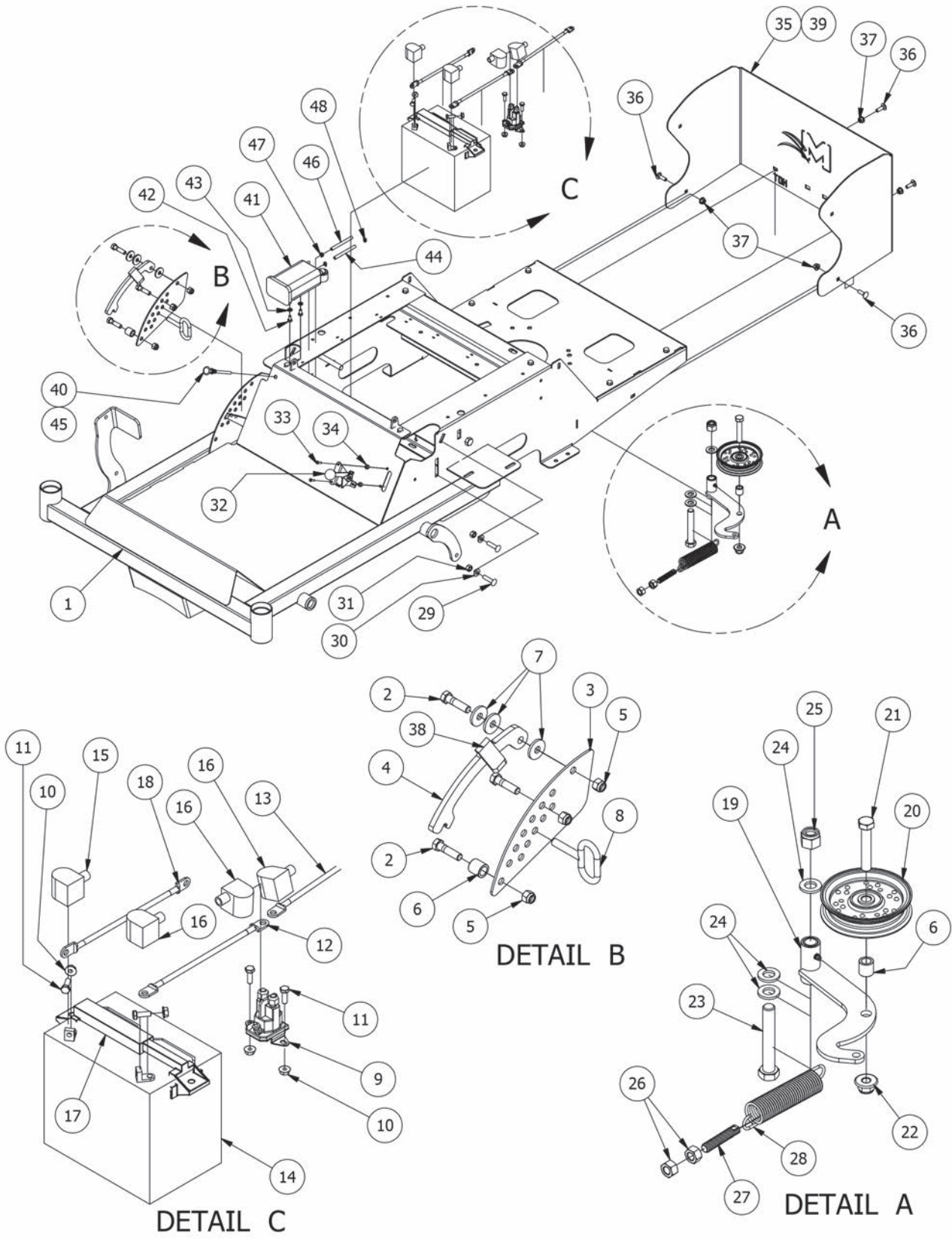
Gas Tank and Control Panel			
ITEM	QTY	PART NUMBER	DESCRIPTION
1	1	086-0075-00	Wiring harness
2	1	079-0050-00	MZ Control Panel
3	1	077-8076-00	Ignition Switch
4	2	072-8072-00	1/4" vinyl clamp
5	2	072-8069-00	1/4 fuel clamp
6	1	067-2001-00	Fender Console
7	1	067-2000-50	3 Gallon Fuel Tank/MZ/2012 EPA
8	1	066-8083-00	Fuel Cap
9	1	056-8058-00	PTO Engager
10	1	055-3000-00	Throttle Lever W/Choke
11	1	051-8072-00	1/4" vinyl tubing
12	1	051-8067-00	1/4" fuel line hose sold by the Foot
13	1	042-9000-00	Ignition Key
14	2	025-2025-00	Tank spacer
15	6	019-8051-00	5/16" Lock Washer
16	6	019-7040-00	1/4" Flat Washer
17	4	019-6042-00	.360 ID Plastic Washer
18	4	018-8063-00	5/16" x 3/4" Hex Bolt
19	2	018-5200-00	10-24 X 5/8 BS C/S 18-8 SS
20	4	018-2010-00	10-32 x 3/8" Button Socket Head Bolt
21	2	018-2007-00	5/16" x 1" Bolt
22	2	013-5019-00	10-24 Nylon Insert Locknut
23	1	055-3021-00	Throttle-21Hp MZ Only
24	1	086-1201-00	Relay Terminal
25	2	067-6052-00	Rollover Valve-White



## Deck Lift Assembly



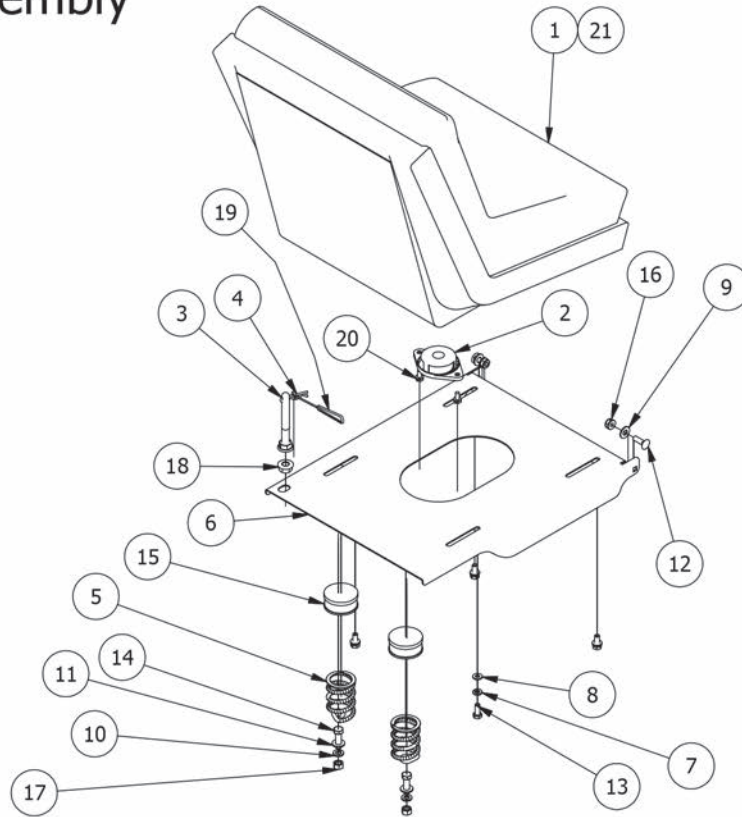
Deck Lift Assembly			
ITEM	QTY	PART NUMBER	DESCRIPTION
1	2	031-1010-00	MZ Front Arm
2	4	013-5201-00	3/8" Flange Nut
3	12	013-5202-00	3/8" Nylock Flange Nut
4	8	018-6012-00	3/8" x 1 1/2" Hex Bolt
5	2	025-0010-00	48 Deck Spacer MZ
6	1	025-0020-00	48 Deck Spacer MZ (Front)
7	1	028-0050-00	MZ Deck Linkage Rod
8	1	031-1030-00	MZ Deck Pivot Lever 2
9	4	019-6042-00	.360 ID Plastic Washer
10	2	018-6049-00	3/8" x 1" Hex Bolt
11	4	019-2073-00	.390 ID Plastic Washer
12	6	024-6034-00	1/4" Drive in Grease Fitting
13	1	014-3010-00	5/8 Round insert
14	2	018-5040-00	3/8-16 x 1-1/4 GR 5 Hex Bolt
15	1	031-1020-00	MZ Deck Pivot Lever





Frame Assembly			
ITEM	QTY	PART NUMBER	DESCRIPTION
1	1	070-5800-00	MZ Frame
2	2	018-6012-00	3/8" x 1 1/2" Hex Bolt
3	1	026-2020-00	MZ Height Indicator Plate
4	1	031-1050-00	MZ Deck Level Lock Lever
5	3	013-5041-00	3/8 Nylock Nut
6	2	025-5203-00	3/4 OD x 1/2 ID x 3\4 Length
7	3	019-2073-00	.390 ID Plastic Washer
8	1	040-4000-00	Deck height lever pin
9	1	108-5349-00	Solenoid
10	4	013-9001-00	1/4-20 Hex Flange Nuts Zinc w/Serrations
11	4	018-8052-00	1/4-20 x 3/4 GR 5 Hex Bolts Zinc
12	1	064-0025-00	10" red battery cable
13	1	064-0050-00	62" red cable
14	1	068-8049-00	Battery
15	1	103-5400-00	Black Boot For ground cable
16	3	103-5300-00	Red Boot
17	1	043-8929-98	Battery Hold Down
18	1	064-0030-00	24" Ground Cable
19	1	039-7000-00	MZ Idler arm Bracket
20	1	033-6001-00	4 3/4 Idler Pulley - ABFI-76
21	1	018-6036-00	1/2" x 2 3/4" Hex Bolt
22	1	013-8050-00	1/2-13 Nylon Flange Nut-Orange
23	1	018-5311-00	5/8" x 4" Hex Bolt
24	3	019-6017-00	.635 ID Plastic Washer
25	1	013-7021-00	5/8 Std NC Nylock Nut
26	2	013-7018-00	1/2" Hex Nut
27	1	018-2004-00	All Thread-pump Idler Tensioner
28	1	034-9050-00	Deck spring big diameter
29	4	018-0001-00	3/8 -16 x 1-1/2 short neck bolt
30	4	019-5029-00	3/8" Flat Washer
31	4	013-6014-00	3/8" Hex Nut
32	1	064-8057-00	Brake cable for MZ
33	2	018-5200-00	10-24 X 5/8 BS C/S 18-8 SS
34	2	013-5019-00	10-24 Nylon Insert Locknut
35	1	026-0110-00	MZ Back Plate
36	4	018-8065-00	5/16" x 1" Carriage Bolt
37	4	013-9002-00	5/16" Flange Nut Zinc W/Serrations
38	1	014-2051-00	Deck Height Handle Grip MZ
39	1	026-0100-00	MZ Engine Rear Plate (21hp)
40	1	054-8016-00	Choke
41	1	067-0015-00	Carbon Canister for Magnum/MZ
42	2	018-0025-00	M6-1.0 X 12MM Bolt 8.8
43	2	019-4008-00	1/4" Lock Washer
44	1	051-8073-00	3/16 vinyl tubing
45	1	054-8017-00	Choke Kohler engine
46	1	051-8072-00	1/4" vinyl tubing
47	1	072-8072-00	1/4" vinyl clamp
48	2	072-8073-00	3/16" Vinyl Hose Clamp

# Seat Assembly

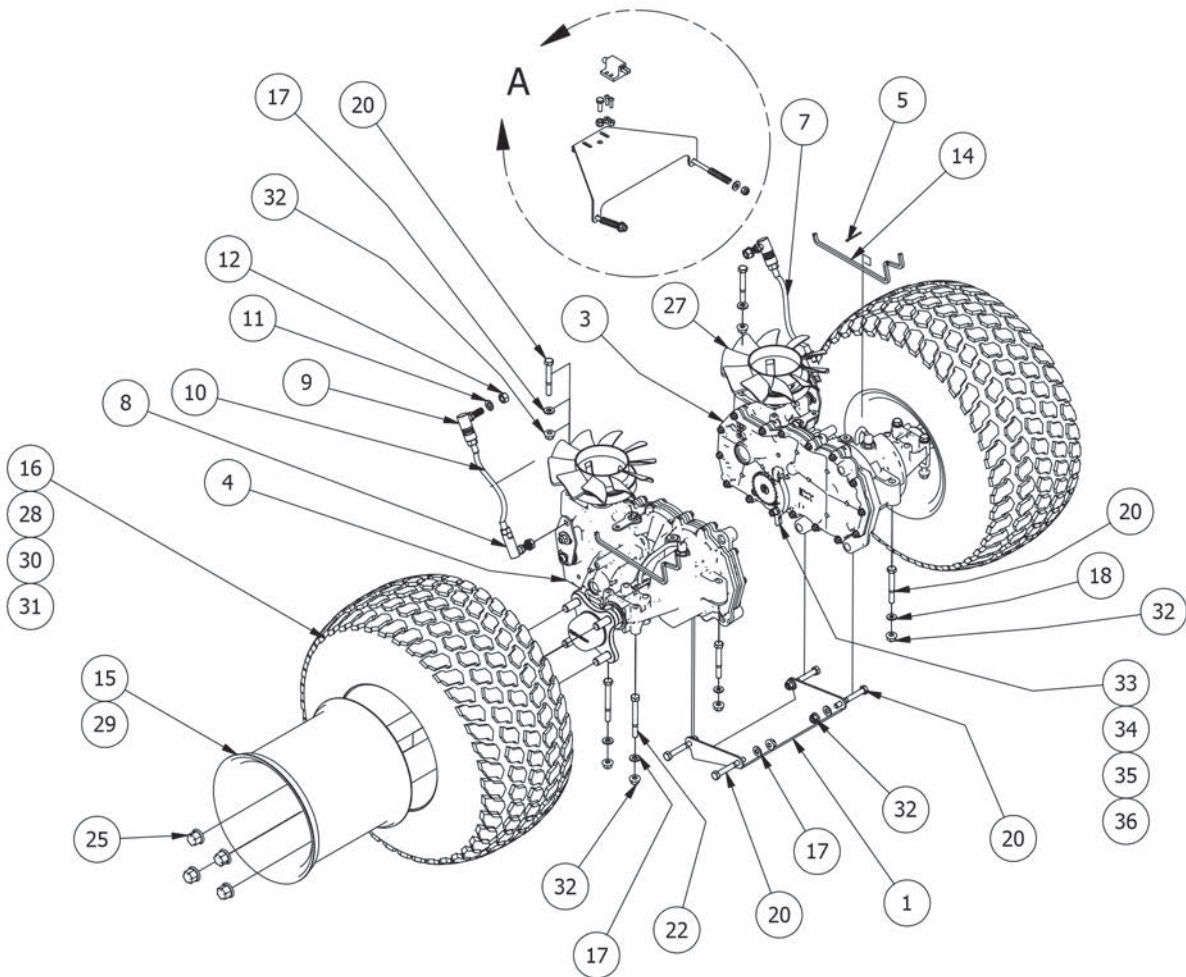
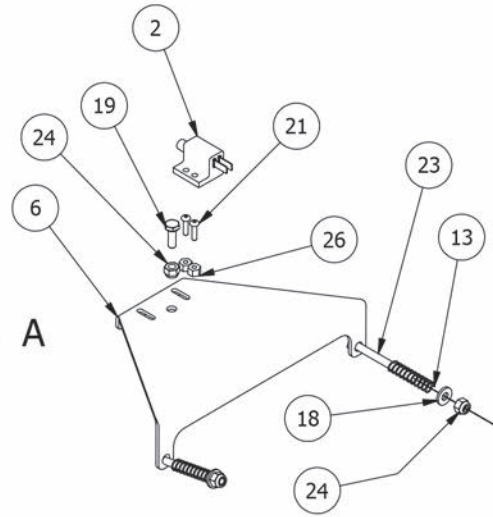


Seat Assembly			
ITEM	QTY	PART NUMBER	DESCRIPTION
1	1	071-9000-00	2013 Magnum Seat
2	1	071-8061-00	Seat Safety Switch
3	1	044-4000-00	Seat Bracket Pin
4	1	040-6060-00	Seat latch pin
5	2	034-8045-00	Seat Spring
6	1	026-2010-00	MZ Seat Plate
7	4	019-8051-00	5/16" Lock Washer
8	4	019-7040-00	1/4" Flat Washer
9	2	019-6042-00	.360 ID Plastic Washer
10	2	019-5037-00	3/8" Lock Washer
11	2	019-5029-00	3/8" Flat Washer
12	2	018-8065-00	5/16-18 x 1 Carriage Bolts Zinc
13	4	018-8063-00	5/16" x 3/4" Hex Bolt
14	2	018-5040-00	3/8" x 1 1/4" Hex Bolt
15	2	014-8047-00	Spring Cap Cover
16	2	013-8049-00	5/16-18 Nylon Flange Nut
17	2	013-6014-00	3/8" Hex Nut
18	2	013-5300-00	1/2" Flange Nut
19	1	064-1000-00	seat pin lanyard
20	2	030-7041-00	1/4-20x1/2 HWH Bolt Slot
21	1	071-8095-00	Gray Bucket Seat with No Arms/Sides (Only on 42" MZ)

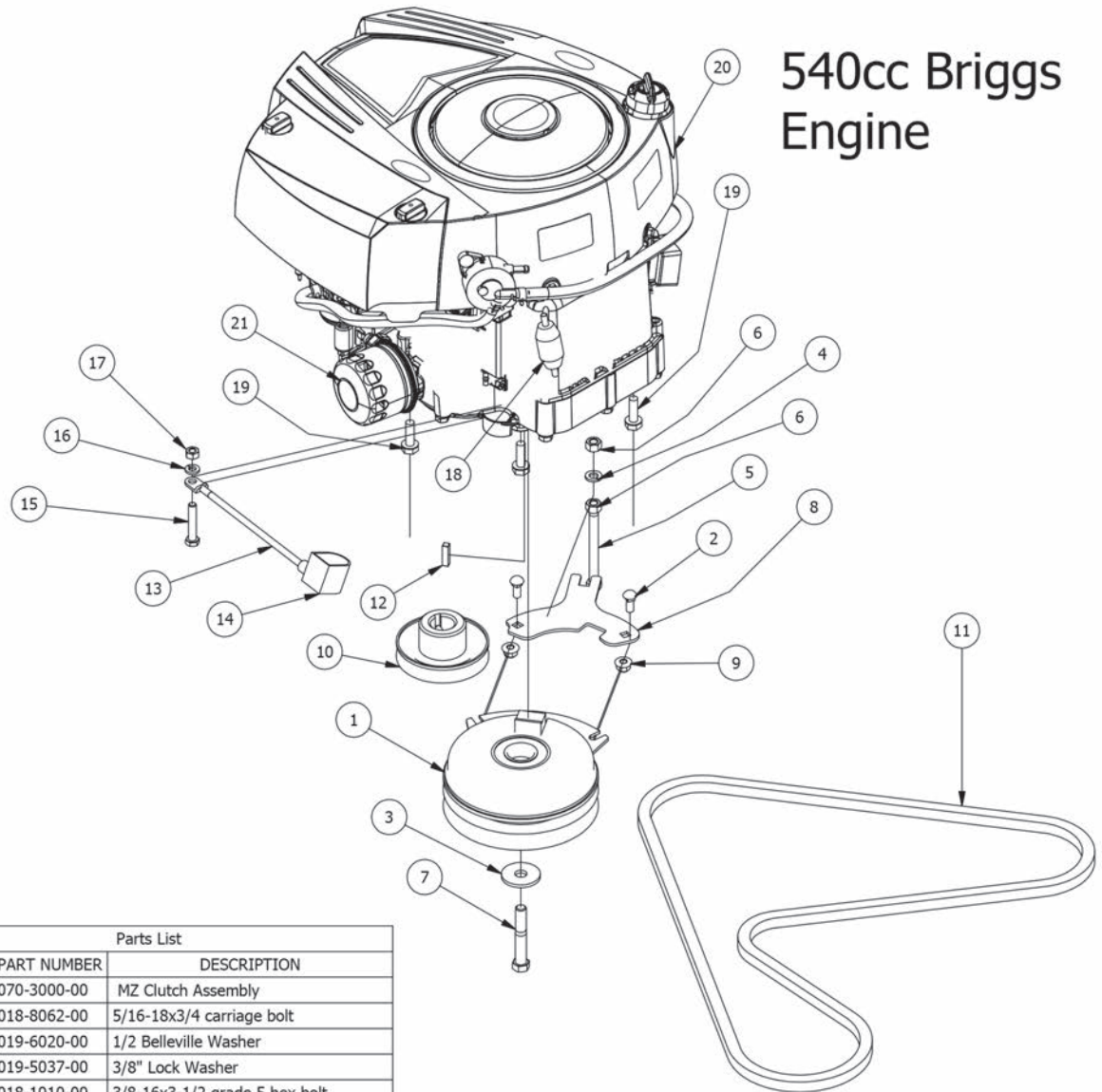


# Axle Assembly

DETAIL A



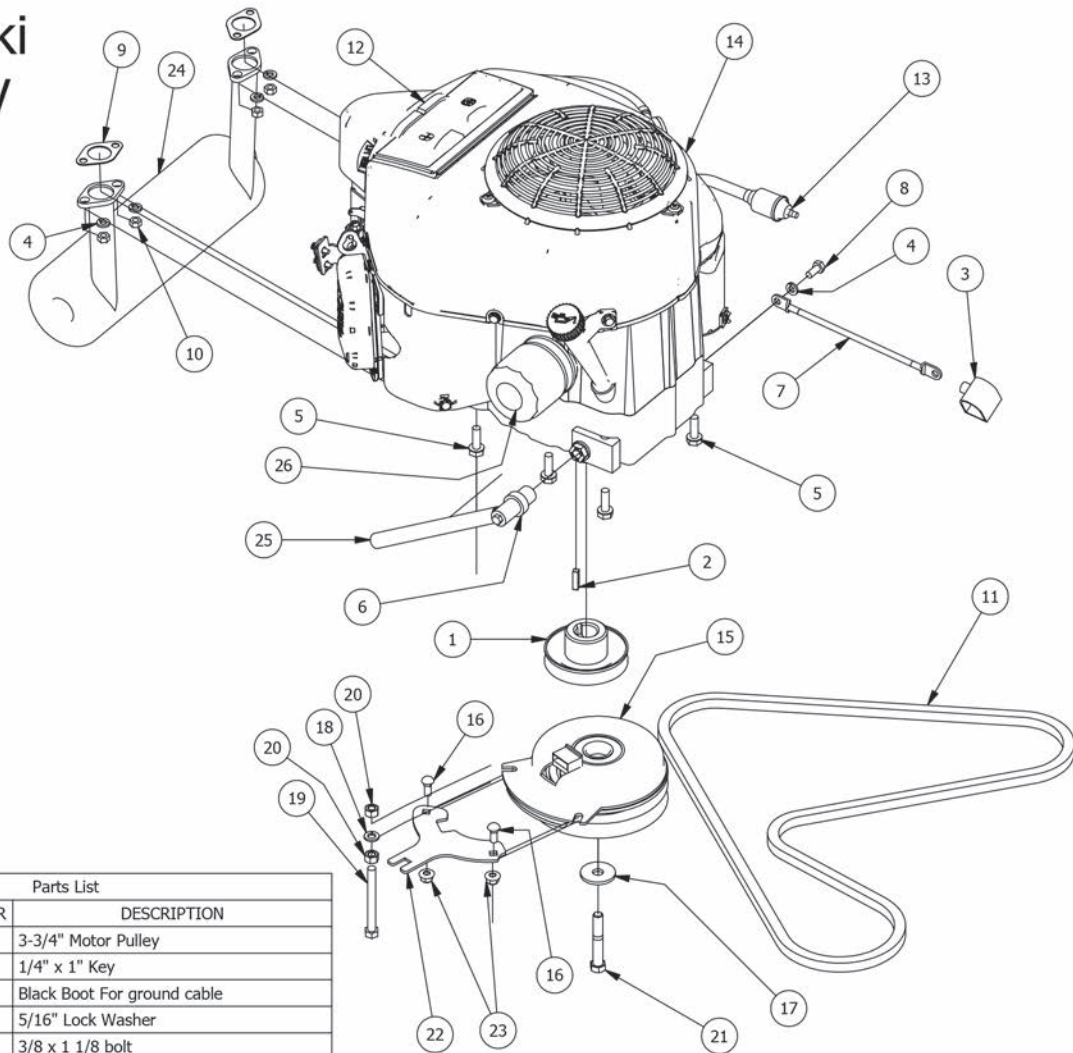
Axle Assembly			
ITEM	QTY	PART NUMBER	DESCRIPTION
1	1	201-2020-00	MZ Transaxle Support (Lower)
2	1	077-8073-00	Safety Switch
3	1	050-4030-00	EZT - Right MZ Models
4	1	050-4031-00	EZT- Left MZ Models
5	2	040-2025-00	Cotter Pin-Brake bar on Mz
6	1	039-1124-00	MZ Brake Lock Bracket
7	1	035-8001-00	Steering linkage for Mz Left
8	2	099-6046-00	3/8-24 Ball Joint
9	2	099-2009-00	Quick Release Ball Joint
10	1	035-8000-00	Steering linkage for Mz right
11	4	019-5037-00	3/8" Lock Washer
12	4	013-6051-00	3/8" Fine Threaded Jam Nut
13	2	034-3050-00	Brake Spring
14	2	028-0060-00	MZ Brake Release Bar
15	2	022-8026-00	Rear rim for a 48 & 54"
16	2	022-8025-00	18 x 9.50 - 8 Tire Only MZ 48 & 54" Deck only
17	10	019-8044-00	5/16" Flat Washer
18	4	019-7040-00	1/4" Flat Washer
19	1	018-8052-00	1/4" x 3/4" Hex Bolt
20	8	018-5344-00	5/16" x 2 1/2" Bolt
21	2	018-5200-00	10-24 X 5/8 BS C/S 18-8 SS
22	4	018-4701-00	5/16" x 3" Hex Bolt
23	2	018-1076-00	1/4-20 x2-1/2 Gr2 hex C/s zinc
24	3	013-8073-00	1/4" Nylock Nut
25	8	013-3000-00	Acorn Lug Nut
26	2	013-5019-00	10-24 Nylon Insert Locknut
27	1	050-2074-00	MZ Fan & Pulley Kit
28	1	022-8027-00	42" MZ 18x 7.50-8 tire only
29	1	022-8028-00	Rear rim only 42" MZ
30	1	022-8050-00	18x9.50-8 48 & 54" Deck Tire and Wheel Assembly
31	1	022-2050-00	18x8.50-8/8" 42" Deck Tire and Wheel Assembly
32	12	013-8049-00	5/16" Nylon Flange Nut
33	1	050-4032-98	MZ Brake Cog Kit
34	1	050-4033-00	MZ Retainer Ring for Brake
35	1	050-4034-00	MZ Brake Gear
36	1	050-4035-00	MZ Brake Arm Kit



## 540cc Briggs Engine

Parts List			
ITEM	QTY	PART NUMBER	DESCRIPTION
1	1	070-3000-00	MZ Clutch Assembly
2	2	018-8062-00	5/16-18x3/4 carriage bolt
3	1	019-6020-00	1/2 Belleville Washer
4	1	019-5037-00	3/8" Lock Washer
5	1	018-1010-00	3/8-16x3-1/2 grade 5 hex bolt
6	2	013-6014-00	3/8" Hex Nut
7	1	018-5401-00	7/16x2 3/4 Fine Thread Bolt
8	1	057-5920-00	MZ Clutch Holder
9	2	013-8049-00	5/16" Nylon Flange Nut
10	1	033-2010-00	3-3/4" Motor Pulley
11	1	041-6400-00	Pump Belt
12	1	042-6030-00	1/4" x 1" Key
13	1	064-0030-00	Ground Cable
14	1	103-5400-00	Black Boot For ground cable
15	1	018-8059-00	5/16" x 1 3/4" Hex Bolt
16	1	019-8051-00	5/16" Lock Washer
17	1	013-8043-00	5/16" Nut
18	1	063-6000-00	Universal inline Fuel Filter
19	3	018-1075-00	3/8 x 1 1/8 bolt
20	1	015-0021-00	540cc Briggs Intek Engine-MZ
21	1	063-8018-00	Briggs Oil Filter

# Kawasaki FR-651V

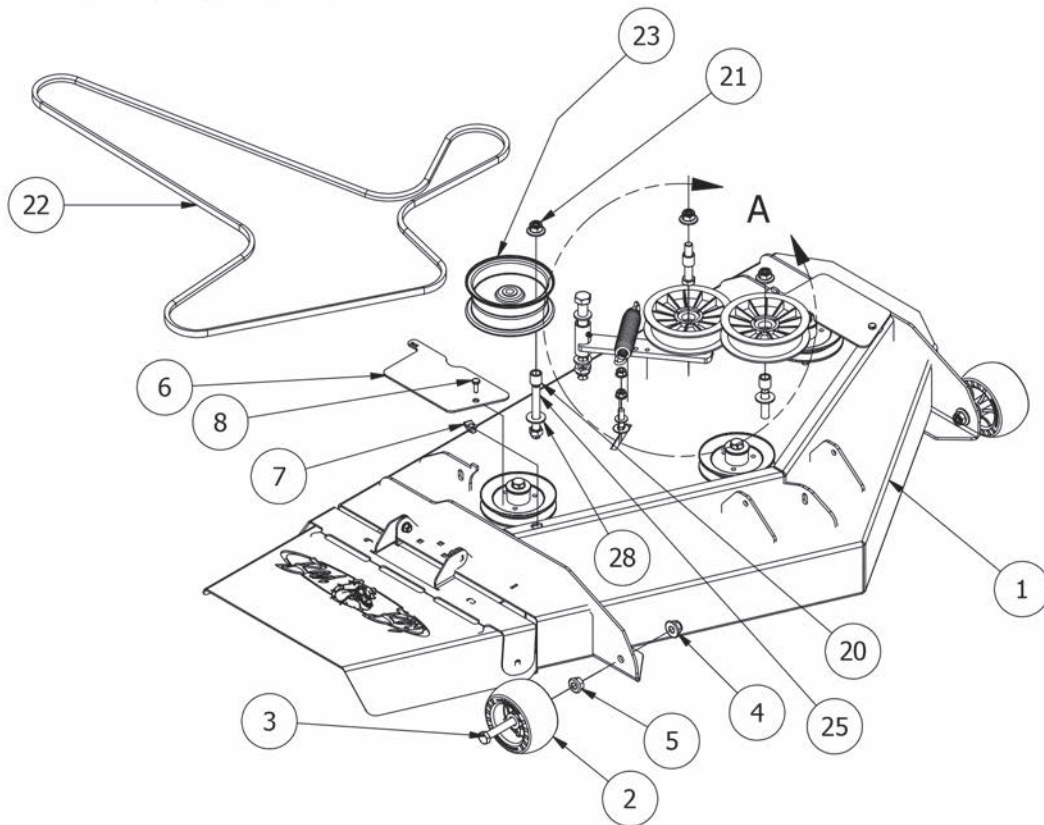
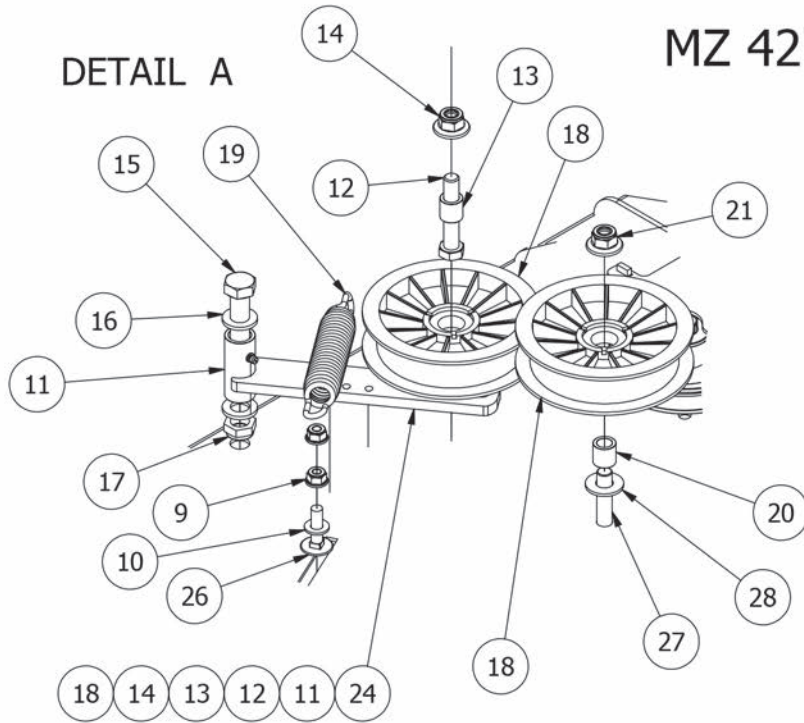


Parts List

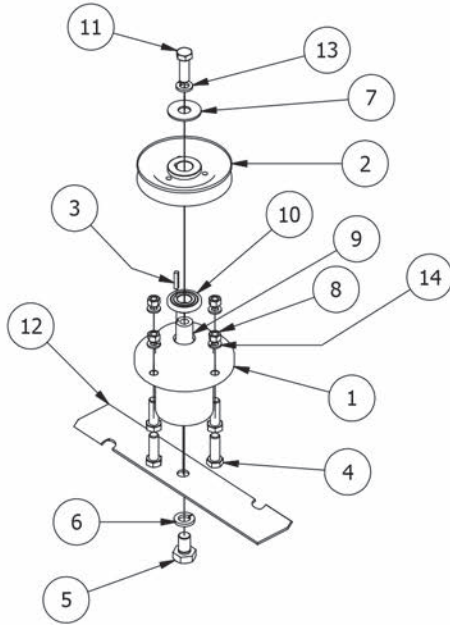
ITEM	QTY	PART NUMBER	DESCRIPTION
1	1	033-2010-00	3-3/4" Motor Pulley
2	1	042-6030-00	1/4" x 1" Key
3	1	103-5400-00	Black Boot For ground cable
4	5	019-8051-00	5/16" Lock Washer
5	4	018-1075-00	3/8 x 1 1/8 bolt
6	1	015-5404-00	oil drain
7	1	064-8061-00	Ground Cable
8	1	018-5321-00	M8x1.20x20MM Hex head bolt
9	2	015-2709-00	Exhaust gasket
10	4	013-0075-00	M8-1.25 Zinc Nut
11	1	041-6400-00	Pump Belt
12	1	063-2097-00	Kaw air Filter For Engine
13	1	063-6000-00	Universal inline Fuel Filter
14	1	015-0022-00	726cc Kawasaki Engine-FR651V
15	1	070-3000-00	MZ Clutch Assembly
16	2	018-8062-00	5/16-18x3/4 carriage bolt
17	1	019-6020-00	1/2 Belleville Washer
18	1	019-5037-00	3/8" Lock Washer
19	1	018-1010-00	3/8-16x3-1/2 grade 5 hex bolt
20	2	013-6014-00	3/8" Hex Nut
21	1	018-5401-00	7/16x2 3/4 Fine Thread Bolt
22	1	057-5920-00	MZ Clutch Holder
23	2	013-8049-00	5/16" Nylon Flange Nut
24	1	015-0038-00	Exhaust for FR Kawasaki-MZ
25	1	051-8064-00	1/2 Clear Braded Hose Priced/Foot
26	1	063-2096-00	Kaw Oil Filter FR Engine

# MZ 42" Deck Assembly

DETAIL A

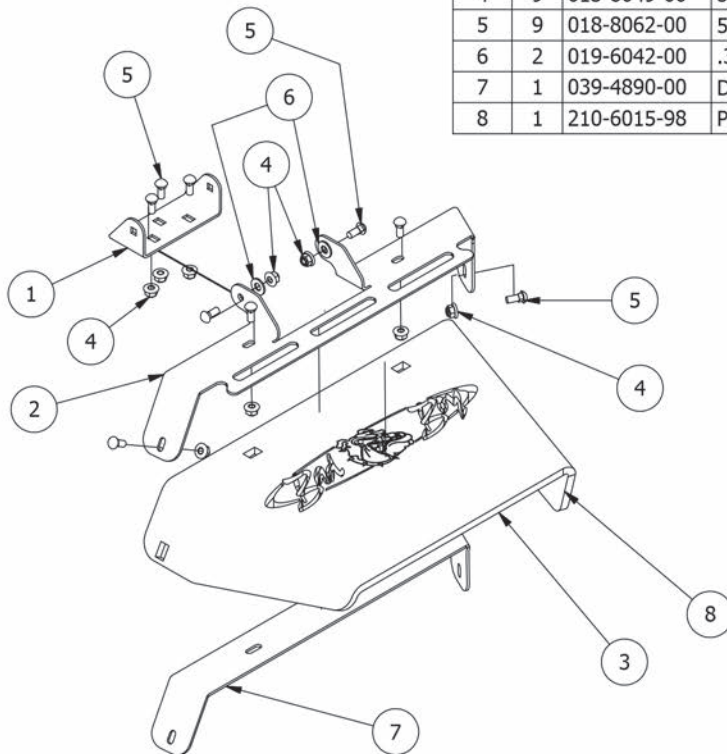


MZ 42" Deck Assembly			
ITEM	QTY	PART NUMBER	DESCRIPTION
1	1	060-2200-00	Mz 42 Deck
2	1	022-5234-00	Deck Wheel
3	1	018-2018-00	1/2 x 3 1/2 Flange Bolt Grade 8
4	1	013-8050-00	1/2-13 Nylon Flange Nut-Orange
5	1	013-0085-00	1/2-13 Hex Flange (GR.G) ZC
6	2	014-4200-00	MZ42 Pulley Cover
7	2	013-0054-00	1/4-20 Cage Nut
8	2	018-8052-00	1/4" x 3/4" Hex Bolt
9	2	013-5202-00	3/8" Nylock Flange Nut
10	1	019-5029-00	3/8" Flat Washer
11	1	039-6945-00	Deck Idler
12	1	018-6036-00	1/2" x 2 3/4" Hex Bolt
13	1	025-5203-00	3/4 OD x 1/2 ID x 3\4 Length
14	1	013-8050-00	1/2-13 Nylon Flange Nut-Orange
15	1	018-5311-00	5/8" x 4" Hex Bolt
16	2	019-6017-00	.635 ID Plastic Washer
17	1	013-5301-00	5/8" Nylock (1/2 Jam)
18	2	033-2000-00	Plastic Idler Pulley
19	1	034-2009-00	Deck Idler Spring MZ
20	2	025-5203-00	3/4 OD x 1/2 ID x 3\4 Length
21	2	013-8050-00	1/2-13 Nylon Flange Nut-Orange
22	1	041-0120-00	42" Deck Belt- B120
23	1	033-5000-00	5 3/4" Deck Idler Pulley
24	1	039-7001-98	Parts 11,12,13,14,18 make up the deck idler assembly
25	1	018-6054-00	1/2-13 x 3 1/2 GR 5 Hex Bolt
26	1	018-4706-00	3/8 x 1-1/2 Carriage Bolt
27	1	018-7016-00	1/2-13 x GR 5 Hex Bolt Zinc
28	2	019-5702-00	1/2" Washer (Grade 8)



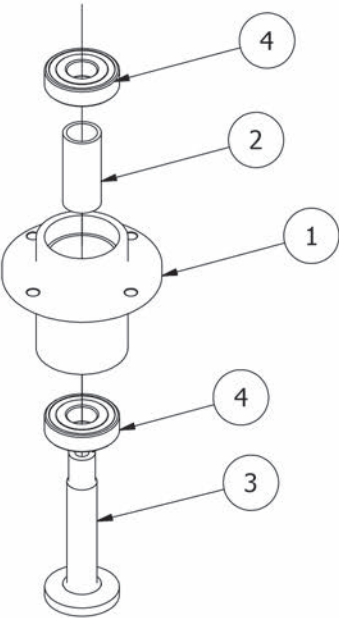
Spindle Assembly for 42" MZ			
ITEM	QTY	PART NUMBER	DESCRIPTION
1	1	037-2000-00	Spindle
2	1	033-4820-00	MZ Deck Pulley
3	1	042-0010-00	3/16 x 1 Square Key
4	4	018-5040-00	3/8-16X 1-1/4 GR Hex Bolt
5	1	018-6020-00	5/8" x 1 1/2" Grade 8 Bolt
6	1	019-4807-00	5/8 Lockwasher Zinc
7	1	019-6020-00	1/2 Belleville Washer
8	4	013-6014-00	3/8" Hex Nut
9	1	037-6025-00	MZ Spindle Shaft-only
10	2	037-6024-00	Spindle Bearing
11	1	018-6019-00	1/2-20 x 1-1/2 GR 5 Bolt Zinc
12	1	038-4221-00	MZ 42" Blade
13	1	019-5007-00	1/2" Lock Washer
14	4	019-5037-00	3/8" Lock Washer

42" MZ & 48" 54" MZ Magnum- Chute Assembly			
ITEM	QTY	PART NUMBER	DESCRIPTION
1	1	206-6020-00	Chute Hanger
2	1	039-4891-00	Discharge Chute Bracket MZ (Upper)
3	1	210-6015-00	Rubber Discharge Chute MZ (Component)
4	9	013-8049-00	5/16" Nylon Flange Nut
5	9	018-8062-00	5/16-18x3/4 carriage bolt
6	2	019-6042-00	.360 ID Plastic Washer
7	1	039-4890-00	Discharge Chute Bracket MZ (Lower)
8	1	210-6015-98	Parts 2,3,5,7,8 Make's up the Mz discharge Assembly



---

# 037-2000-00 Spindle Assembly-MZ



Parts List			
ITEM	QTY	PART NUMBER	DESCRIPTION
1	1	037-6027-00	MZ Spindle Housing
2	1	037-6028-00	MZ Spindle Spacer-Component
3	1	037-6025-00	MZ Spindle Shaft
4	2	037-6024-00	MZ Spindle Bearing





091-0204-00  
MZ 726cc Decal



091-1016-00  
MZ 540cc Decal



091-1000-00  
MZ Control Cluster



091-3300-00  
Caution Decal – Front Grill



091-1030-00  
MZ Logo Dome Decal Grill

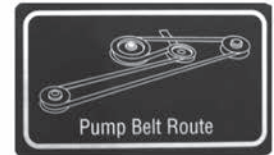


091-1010-00  
Danger Decal  
Spindle/Discharge



091-1035-00  
MZ Logo Decal - Front

091-1040-00  
MZ Floor Panel Cluster



091-3017-00  
Pump Belt Route Decal



091-1020-00  
MZ Hydraulic Decal



091-3310-00  
42 Deck Decal - ADS



091-1045-00  
MZ Belt Route Decal

## 2014 LIMITED WARRANTY FOR BAD BOY MZ MOWERS

### 1. WHAT THIS WARRANTY COVERS, AND FOR HOW LONG:

Bad Boy, Inc. will, at its option, repair or replace, without charge, any part covered by the warranty which is found to be defective in material and/or workmanship for two (2) years or (200) Hours\* after the date of sale to the original retail purchaser **unless the product is used for commercial, industrial, or rental purposes, in which case the Bad Boy MZ mower will carry no warranty, whatsoever.**

**Belts** are warranted for a period of ninety (90) days against materials or workmanship defects.

**Seats** are warranted for a period of (6) months against material or workmanship defects.

At Bad Boy, Inc.'s request, customer will make the defective part available for inspection by Bad Boy, Inc. and/or return the defective part to Bad Boy, Inc., **transportation charges prepaid.**

### 2. WHAT THIS WARRANTY DOES NOT COVER:

A. This warranty does not cover defects caused by depreciation or damage caused by normal wear, accidents, improper maintenance, improper use or abuse of the product, alterations, or failure to follow the instruction contained in the Owner's Manual for operation and maintenance.

B. The customer shall pay any charges for making service calls and/or for transporting the mower to and from the place where the inspection and/or warranty work is performed.

**Bad Boy Inc will not be responsible for the pickup and delivery of a machine for warranty purposes.**

C. **Engines** are warranted separately by their respective manufacturer. The available warranties covering this item are furnished with each mower. Bad Boy, Inc does not assume any warranty obligation, liability or modification for this item, which is covered exclusively by the stated warranty of the respective manufacturers.

D. **Tires, blades, and deck anti-scalping wheels** are considered to be consumable wear items and are therefore **not warranted.**

E. **Batteries** are warranted for six months (**free replacement**) from the retail purchase date against materials or workmanship defects. **The battery warranty must be obtained through the battery manufacturer.**

### 3. HOW TO OBTAIN SERVICE UNDER THIS WARRANTY:

A. Warranty service can be arranged by contacting the dealer where you purchased the mower or by contacting Bad Boy, Inc. Proof of the date of purchase may be required to verify warranty coverage.

**B. Warranty claims will not be reviewed or paid unless the warranty registration card is received by Bad Boy, Inc. within 30 days of the retail purchase date.**

C. Warranty claims requiring parts returned will be settled upon return of parts to Bad Boy for inspection.

### 4. WARRANTY LIMITATION:

A. **THERE IS NO OTHER EXPRESS WARRANTY. ANY WARRANTY THAT MAY BE IMPLIED FROM THIS PURCHASE INCLUDING MERCHANTABILITY AND FITNESS FOR A PARTICULAR PURPOSE IS HEREBY LIMITED TO THE DURATION OF THIS WARRANTY AND TO THE EXTENT PERMITTED BY LAW ANY AND ALL IMPLIED WARRANTIES ARE EXCLUDED.** Some states do not allow limitations on how long an implied warranty lasts, so the above limitations may not apply to you.

B. **BAD BOY, INC. WILL NOT BE LIABLE FOR ANY INCIDENTAL, CONSEQUENTIAL, OR SPECIAL DAMAGES AND/OR EXPENSES IN CONNECTION WITH THE PURCHASE OR USE OF THE MOWER.** Some states do not allow the exclusion or limitation of incidental or consequential damages, so the above limitation(s) or exclusion(s) may not apply to you.

C. Only the warranty expressed in this limited warranty shall apply and no dealer, distributor, or individual is authorized to amend, modify, or extend this warranty in any way. Accordingly, additional statements such as dealer advertising or presentations, whether oral or written, do not constitute warranties by Bad boy, Inc., and should not be relied on.

D. This warranty extends only to turf equipment operated under normal conditions and properly serviced and maintained. The warranty expressly does not cover (i) any defects, damage or deterioration due to normal use, wear and tear, or exposure; (ii) normal maintenance services such as oil change, cleaning, lubrication, adjustment; (iii) replacement of services, items, such as oil, lubricants, spark plugs, belts, rubber hoses or other items subject to normal service replacement; (iv) damage or defects arising out of or relating to misuse, neglect, alteration, negligence or accident; (v) repair or replacement arising from operation of or use of the turf equipment which is not in accordance with operating instructions as specified in the operator's manual or other operational instructions provided by Bad Boy Inc.; (vi) repair or replacement arising as a result of any operation from turf equipment that has been altered or modified so as to, indetermination of Bad Boy, Inc., adversely affect the operation, performance or durability of the equipment or that has altered, modified or affected the turf equipment so as to change the intended use of the product; (vii) repair or replacement necessitated by use of parts, accessories or supplies, including gasoline, oil or lubricants, incompatible with the turf equipment or other than as recommended in the operator's manual or other operational instructions provided by Bad Boy, Inc.; (viii) repairs or replacements resulting from parts or accessories which have adversely affected the operation, performance or durability of the turf equipment; or (ix) damage or defects due to or arising out of repair of turf equipment by person or persons other than an authorized Bad Boy, Inc., service dealer or the installation of parts other than genuine Bad Boy, Inc., recommended parts.

**As a condition to this warranty, customer shall have read the operator's manual and shall have returned to Bad Boy, Inc., within the prescribed time, the enclosed warranty registration card.**

E. This warranty gives you specific legal rights, and you may also have other rights, which vary from state to state.



**Bad Boy, Inc.**  
**102 Industrial Drive**  
**Batesville, AR 72501**  
**1.866.622.3269**  
**www.badboymowers.com**

**Technical Support:**

James Russell..... james.russell@badboymowers.com

**Warranty:**

Jack Vaughn ..... jack.vaughn@badboymowers.com

**Parts:**

Tim Tosh..... tim.tosh@badboymowers.com

Robert Patterson ..... robert.patterson@badboymowers.com

*Cut and Mail or Fill Out Online under 'Owners' at www.badboymowers.com*

**WARRANTY REGISTRATION**

Full Name \_\_\_\_\_

Address \_\_\_\_\_

City \_\_\_\_\_

State \_\_\_\_\_ Zip \_\_\_\_\_

**SERIAL #**

Purchase Date \_\_\_\_\_ Telephone \_\_\_\_\_

Purchased From \_\_\_\_\_

*"I certify that I have been properly instructed on operating this machine."*



For additional information, please see us at  
**[www.badboymowers.com](http://www.badboymowers.com)**

**MZ  
MODEL**

Bad Boy, Inc.  
102 Industrial Drive  
Batesville, Arkansas 72501  
(870) 698-0090

*Cut and Mail or Fill Out Online under 'Owners' at [www.badboymowers.com](http://www.badboymowers.com)*

*Place Stamp  
Here*

*POST OFFICE  
WILL NOT DELIVER  
WITHOUT POSTAGE*



**BAD BOY MOWERS**

102 Industrial Drive  
Batesville, AR 72501