

# OWNER'S/OPERATOR'S MANUAL

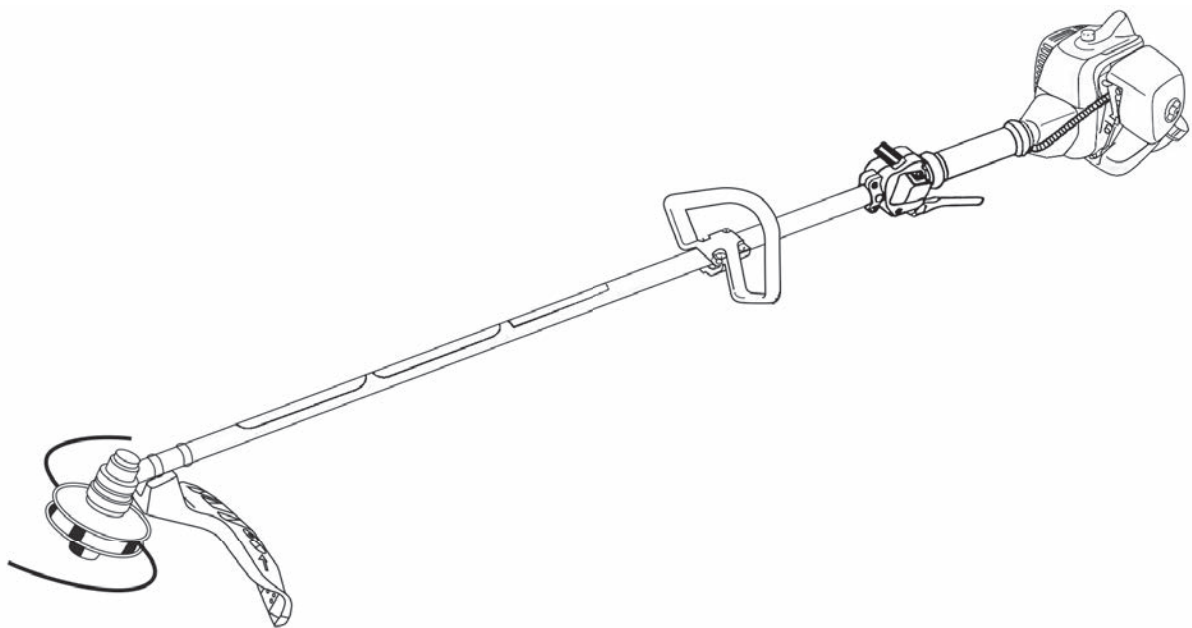
MANUAL DEL PROPIETARIO U OPERADOR  
MANUEL DU PROPRIETAIRE/DE L'UTILISATEUR



## STRING TRIMMER

RECORTADORA  
COUPE-BORDURES

**ST225**  
**ST254**  
**ST300T**



**Completely read and understand this manual PRIOR to using this product.**

Lea y entienda este manual a fondo, ANTES de usar este producto.

Lisez complètement et comprenez ce manuel AVANT d'utiliser ce produit.



## Limited Warranty Statement

This Bad Boy gas powered handheld tool is warranted to the original purchaser to be free from defects in material and workmanship **from the date of purchase** for the time periods listed as follows:

**2 years** for residential use or

**1 year** for commercial use or

**90 days** for rental use.

Any part of this Bad Boy product found to be defective within the applicable warranty period shall, at Bad Boy's option, be repaired or replaced without charge. Warranty consideration is obtained by delivering the Bad Boy product believed to be defective to an Authorized Bad Boy Servicing Dealer within the applicable warranty period.

The purchaser shall not be charged for diagnostic labor that leads to the determination that a warranted part is defective, if the diagnostic work is performed at a Bad Boy Dealer.

Any warranted part which is not scheduled for replacement as required maintenance, or which is scheduled only for regular inspection to the effect of "repair or replace as necessary" shall be warranted for the warranty period. Any warranted part, which is scheduled for replacement as, required maintenance shall be warranted for the period of time up to the first scheduled replacement point for that part. Bad Boy Mowers, LLC is liable for damages to other engine components caused by the failure of a warranted part still under warranty.

The purchaser is responsible for the performance of the required maintenance, as defined by Bad Boy Mowers, LLC in the Owner's/Operator's Manual.

### DISCLAIMER OF IMPLIED WARRANTIES

This limited warranty is in lieu of all other expressed or implied warranties, including any warranty of FITNESS FOR A PARTICULAR PURPOSE OR USE and any implied warranty of MERCHANTABILITY otherwise applicable to this product. Bad Boy Mowers, LLC shall not be liable for any special incidental or consequential damage, including lost profits.

There are no warranties extended other than as provided herein. Only Bad Boy Mowers, LLC Inc may modify this limited warranty.

**This warranty does not cover the following:**

1. Maintenance items (excluding defects in materials and workmanship) including hoses, spark plugs, starter rope, air and fuel filters, throttle cables and all pump attachments, etc.
2. Extra expenses including shipping and handling, travel, payment for lost time or pay and for any inconvenience and storage.
3. Alterations or modifications including aftermarket parts not authorized by Bad Boy Mowers, LLC.
4. Wear, accident, abuse, neglect, misuse, negligence, improper fuels, lubricants, fuel mixtures (when applicable), or failure to operate or maintain the product in accordance with instructions approved by Bad Boy.

Repair or replacement as provided under this warranty is the exclusive remedy of the consumer. Bad Boy shall not be liable for any incidental or consequential damages for breach of any express or implied warranty on these products except to the extent prohibited by applicable law. Any implied warranty of merchantability or fitness for a particular purpose on these products is limited in duration to the warranty period as defined in the limited warranty statement. Bad Boy reserves the rights to change or improve the design of the product without notice and does not assume obligation to update previously manufactured products.

This warranty provides you with specific legal rights, which may vary from state to state.

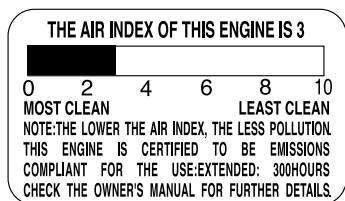
It is the Owner's and Dealer's responsibility to make sure the Warranty Registration Card is properly filled out and mailed to Bad Boy Mowers, LLC. Proof of purchase and registration will be required in order to obtain warranty service.

To locate an Authorized Bad Boy Servicing Dealer nearest you, contact:

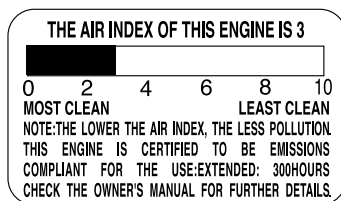
**Bad Boy Mowers, LLC**  
**102 Industrial Drive**  
**Batesville, AR 72501**  
**[www.badboycountry.com](http://www.badboycountry.com)**  
**Or call our toll-free helpline at 888-227-9443**

## ⚠ WARNING: ⚠

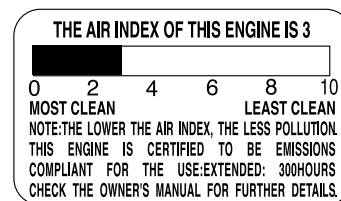
Operating, servicing and maintaining this product can expose you to chemicals including engine exhaust, carbon monoxide, phthalates, and lead, which are known to the State of California to cause cancer and birth defects or other reproductive harm. To minimize exposure, avoid breathing exhaust, service equipment in a well-ventilated area and wear gloves or wash your hands frequently when servicing this equipment. For more information, visit on the web at [www.P65warnings.ca.gov](http://www.P65warnings.ca.gov).



ST225



ST254



ST300T

## FEDERAL EMISSION CONTROL WARRANTY STATEMENT YOUR WARRANTY RIGHTS AND OBLIGATIONS

The U.S. Environmental Protection Agency (EPA), and Maruyama Manufacturing Company, Inc. are pleased to explain the **emission control system warranty** on your small off-road engine. New 1997 and later model year small off-road engines must be designed, built and equipped, at the time of sale, to meet the U.S. EPA regulations for small off-road engines. The equipment engine must be free from defects in materials and workmanship which cause it to fail to conform with U.S. EPA standards for the first 5 years of engine use from the date of sale to the ultimate purchaser. Maruyama Manufacturing Company, Inc. must warrant the emission control system on your small off-road engine for the period of time listed above provided there has been no abuse, neglect or improper maintenance of your small off-road engine.

### Emission durability of 300 hours.

Your emission control system may include parts such as the carburetor or fuel injection system, the ignition system, and catalytic converter. Also included may be hoses, belts, and connectors and other emission related assemblies.

Where a warrantable condition exists, Maruyama Manufacturing Company, Inc. will repair your small off-road engine at no cost to you, including diagnosis (if the diagnostic work is performed at an authorized dealer), parts, and labor.

### MANUFACTURER'S WARRANTY COVERAGE:

The 1997 and later model year small off-road engines are warranted for 5 years. If any emission-related part on your engine is defective, the part will be repaired or replaced by Maruyama Manufacturing Company, Inc. free of charge.

### OWNER'S WARRANTY RESPONSIBILITIES:

- As the small off-road engine owner, you are responsible for the performance of the required maintenance listed in your owner's/operator's manual.  
Maruyama Manufacturing Company, Inc. recommends that you retain all receipts covering maintenance on your small off-road engine, but Maruyama Manufacturing Company, Inc. cannot deny warranty solely for the lack of receipts or for your failure to ensure the performance of all scheduled maintenance. Any replacement part or service that is equivalent in performance and durability may be used in non-warranty maintenance or repairs, and shall not reduce the warranty obligations of the engine manufacturer.
- As the small off-road engine owner, you should be aware, however, that Maruyama Manufacturing Company may deny you warranty coverage if your small off-road engine or a part has failed due to abuse, neglect, improper maintenance or unapproved modifications.
- You are responsible for presenting your small off-road engine to a Maruyama Manufacturing Company, Inc. service center as soon as a problem exists. The warranty repairs should be completed in a reasonable amount of time, not to exceed 30 days.

If you have any questions regarding your warranty rights and responsibilities, you should contact Maruyama U.S., Inc. at **1-866-783-7400**, or [warranty@maruyama-us.com](mailto:warranty@maruyama-us.com).

## COVERAGE

Maruyama Manufacturing Company, Inc. warrants to the ultimate purchaser and each subsequent purchaser that your small off-road engine will be designed, built and equipped, at the time of sale, to meet all applicable regulations. Maruyama Manufacturing Company, Inc. also warrants to the initial purchaser and each subsequent purchaser that your small off-road engine is free from defects in materials and workmanship which cause the engine to fail to conform with applicable regulations for a period of 5 years.

The 1997 and later model years, EPA requires manufacturers to small off-road engines for 5 years. These warranty periods will begin on the date the small off-road engine is purchased by the initial purchaser. If any emission-related part on your engine is defective, the part will be replaced by Maruyama Manufacturing Company, Inc. at no cost to the owner.

Maruyama Manufacturing Company, Inc. shall remedy warranty defects at any authorized Maruyama Manufacturing Company, Inc. engine dealer or warranty station. Any authorized work done at an authorized dealer or warranty station shall be free of charge to the owner if such work determines that a warranted part is defective. Any manufacturer-approved or equivalent replacement part may be used for any warranty maintenance or repairs on emission-related parts, and must be provided free of charge to the owner if the part is still under warranty, Maruyama Manufacturing Company, Inc. is liable for damages to other engine components caused by the failure of a warranted part still under warranty.

EPA considers emission-related warranted parts to include all the parts listed below. These warranted parts are: **the carburetor assembly, the ignition coil assembly, the ignition rotor, the spark plug, the catalytic converter, and the fuel tank.**

## MAINTENANCE REQUIREMENTS

The owner is responsible for the performance of the required maintenance as defined by the Maruyama Manufacturing Company, Inc. in the owner's/operator's manual.

## LIMITATIONS

This Emission Control System Warranty shall not cover any of the following:

- (a) repair or replacement required because of misuse or neglect, lack of required maintenance, repairs improperly performed or replacements not conforming to Maruyama Manufacturing Company, Inc. specifications that adversely affect performance and/or durability, and alterations or modifications not recommended or approved in writing by Maruyama Manufacturing Company, Inc., and
- (b) replacement of parts and other services and adjustments necessary for required maintenance at and after the first scheduled replacement point.

## Contents

<b>Limited Warranty Statement</b> .....	<b>1</b>	<b>Operation</b> .....	<b>23</b>
<b>FEDERAL EMISSION CONTROL</b> .....	<b>3</b>	String Trimmer Operating Position .....	23
<b>Contents</b> .....	<b>5</b>	Cutting with Trimmer Head .....	25
<b>Introduction</b> .....	<b>6</b>	<b>Maintenance</b> .....	<b>26</b>
<b>Safety</b> .....	<b>7</b>	Idle Speed Adjustment .....	26
Operator Safety .....	7	Air Filter .....	27
String Trimmer Safety .....	7	Fuel Filter .....	28
Fuel Safety .....	8	Spark Plug .....	28
String Trimmer Operating Safety .....	9	Cylinder Cooling Fins .....	29
<b>Safety and Instruction Decals</b> .....	<b>10</b>	Spark Arrester .....	30
<b>Product description</b> .....	<b>11</b>	Exhaust Muffler .....	31
<b>Assembly</b> .....	<b>12</b>	Gearcase .....	32
Loop Handle Installation .....	12	General Cleaning and Tightening .....	32
Installing Debris Shield.....	13	<b>Storage</b> .....	<b>33</b>
Installing Trimmer Head .....	14	<b>Troubleshooting</b> .....	<b>34</b>
<b>Before Operation</b> .....	<b>15</b>	<b>Maintenance Period</b> .....	<b>35</b>
Oil and Fuel .....	15	<b>Specifications</b> .....	<b>36</b>
Mixing Gasoline and Oil .....	17		
Starting and Stopping .....	19		
Instruction of the throttle trigger .....	22		

## Contenido

<b>Contenido</b> .....	<b>5</b>	<b>Uso</b> .....	<b>23</b>
<b>Introducción</b> .....	<b>6</b>	Posición de funcionamiento del Recortadora .....	23
<b>Seguridad</b> .....	<b>7</b>	Cortando con el cabeza de corte .....	25
Seguridad del operador .....	7	<b>Mantenimiento</b> .....	<b>26</b>
Seguridad de la recortadora .....	7	Ajuste de la Velocidad del Ralentí .....	26
Seguridad del combustible .....	8	Filtro de Aire .....	27
Seguridad de operación de la recortadora .....	9	Filtro de Combustible .....	28
<b>Símbolos Adhesivos de Seguridad</b> .....	<b>10</b>	Bujía .....	28
<b>Descripción del Producto</b> .....	<b>11</b>	Aletas del cilindro de refrigeración .....	29
<b>Montaje</b> .....	<b>12</b>	Matachispas .....	30
Instalación del manillar en forma .....	12	Silenciador de escape .....	31
Montaje del Protector de Desechos .....	13	Caja de Engranaje .....	32
Cabeza de Corte .....	14	El general limpiando y apretándose .....	32
<b>Antes de Utilizar</b> .....	<b>15</b>	<b>Almacenaje</b> .....	<b>33</b>
Aceite y Combustible .....	15	<b>Problemas</b> .....	<b>34</b>
Mezcla de Gasolina y Aceite .....	17	<b>Período de mantenimiento</b> .....	<b>35</b>
Arranque y Parada .....	19	<b>Especificaciones</b> .....	<b>36</b>
Instrucción del gatillo del acelerador .....	22		

## Sommaire

<b>Sommaire</b> .....	<b>5</b>	<b>Utilisation</b> .....	<b>23</b>
<b>Introduction</b> .....	<b>6</b>	Position d'utilisation d'un coupe-bordures .....	23
<b>Sécurité</b> .....	<b>7</b>	Couper avec un tête de coupe .....	25
Sécurité de l'utilisateur .....	7	<b>Entretien</b> .....	<b>26</b>
Sécurité du coupe-bordures .....	7	Réglage du ralenti.....	26
Sécurité du carburant .....	8	Filtre à air .....	27
Sécurité de fonctionnement du coupe-bordures .....	9	Filtre à carburant .....	28
<b>Étiquettes de sécurité et instructions</b> .....	<b>10</b>	Bougie.....	28
<b>Description du produit</b> .....	<b>11</b>	Ailettes de refroidissement du cylindre .....	29
<b>Montage</b> .....	<b>12</b>	Pare-étincelles .....	30
Montage de la poignée avant .....	12	Silencieux d'échappement .....	31
Montage de la Pare-débris .....	13	Renvoi d'angle .....	32
Montage du tête du coupe .....	14	Nettoyage et serrage normaux .....	32
<b>Avant utilisation</b> .....	<b>15</b>	<b>Remisage</b> .....	<b>33</b>
Huile et carburant .....	15	<b>Dépannag</b> .....	<b>34</b>
Mélange d'essence et d'huile .....	17	<b>Période d'entretien</b> .....	<b>35</b>
Mise en marche et arrêt .....	19	<b>Spécifications</b> .....	<b>36</b>
Instruction de la gâchette d'accélérateur .....	22		



## Introduction

Thank you for purchasing a BAD BOY product.

BAD BOY, its distributors, and dealers want you to be completely satisfied with your new product. Please feel free to contact your local Authorized Service Dealer for help with service, genuine BAD BOY parts, or other information you may require.

Whenever you contact your Authorized Service Dealer or the factory, always know the serial number of your product. This number will help the Service Dealer or Service Representative provide exact information about your specific product. You will find the model and serial number located in a unique place on the product (Product Description on page 11).

For your convenience, write the product model name and serial number in the space to the below.

<p><b>Model Name</b> _____</p> <p><b>Serial No.</b> _____</p>
---

Read this manual carefully to learn how to operate and maintain your product correctly. Reading this manual will help you and others avoid personal injury and damage to the product.

Although BAD BOY designs, produces and markets safe, state of the art products, you are responsible for using the product properly and safely. You are also responsible for training persons who you allow to use the product about safe operation.

The BAD BOY warning system in this manual identifies potential hazards and has special safety messages that help you and others avoid personal injury, even death.

DANGER, WARNING and CAUTION are signal words used to identify the level of hazard. However, regardless of the hazard, be extremely careful.

**DANGER** signals an extreme hazard that will cause serious injury or death if the recommended precautions are not followed.

**WARNING** signals a hazard that may cause serious injury or death if the recommended precautions are not followed.

**CAUTION** signals a hazard that may cause minor or moderate injury if the recommended precautions are not followed. Two other words are also used to highlight information. "**Important**" calls attention to special mechanical information and "**Note**" emphasizes general information worthy of special attention.

## Introducción

Gracias por su compra de un producto BAD BOY.

BAD BOY, sus distribuidores y concesionarios desean que usted esté completamente satisfecho con su nuevo producto. No dude en contactar a su distribuidor de servicio autorizado para obtener asistencia en el servicio, partes genuinas de BAD BOY u otra información que usted pueda requerir.

Cada vez que usted contacte a su distribuidor de servicio autorizado o la fábrica, siempre tenga disponible el número de serie de su producto. Este número ayudará al distribuidor de servicio o al representante de servicio para proveer la información exacta sobre su producto específico. Usted encontrará el modelo y el número de serie localizado en un lugar único en el producto (Descripción del producto en la página 11).

Para su conveniencia, escriba el nombre de modelo del producto y el número de serie en el espacio de abajo.

<p><b>Nombre del modelo</b> _____</p> <p><b>Nº de serie</b> _____</p>
---

Lea cuidadosamente este manual para aprender sobre la manera de operar y efectuar el mantenimiento del producto correctamente. Leer este manual le ayudará a usted y a otros a evitar lesiones personales y daños al producto.

Aunque BAD BOY diseña, produce y comercializa productos seguros y de la más reciente tecnología, usted será el responsable por usarlos de la manera apropiada y segura. Usted también será responsable por la capacitación de las personas a las que usted permita usar el producto para la operación segura.

El sistema de advertencia de BAD BOY en este manual identifica los peligros potenciales y tiene mensajes de seguridad especiales que le asistirán a usted y a otros en evitar lesiones personales, o incluso la muerte.

PELIGRO, ADVERTENCIA y PRECAUCIÓN son las palabras de señalización usadas para identificar el nivel del peligro. Sin embargo, independientemente del peligro, sea extremadamente cuidadoso.

Las señales **PELIGRO** indican un peligro extremo, que causará lesiones serias o la muerte si las precauciones recomendadas no se siguen.

Las señales **ADVERTENCIA** indican un peligro que puede causar lesiones serias o la muerte si las precauciones recomendadas no se siguen.

Las señales **CUIDADO** indican un peligro que puede causar lesiones menores o moderadas si las precauciones recomendadas

## Introduction

Nous vous remercions d'avoir acheté un produit BAD BOY.

BAD BOY, ses distributeurs et ses concessionnaires tiennent à votre complète satisfaction de ce nouveau produit. Veuillez contacter votre concessionnaire d'entretien agréé pour toute assistance en matière d'entretien, de pièces BAD BOY d'origine ou pour tout renseignement dont vous pourriez avoir besoin. Que vous contactiez votre concessionnaire agréé ou l'usine, prévoyez le numéro de modèle et de série du produit. Ce numéro aidera le concessionnaire ou le représentant à vous donner les informations exactes relatives à votre produit. Vous trouverez le numéro de modèle et de série dans un endroit spécial, sur le produit. (Description du produit page 11). Pour référence ultérieure, notez cette information dans l'espace ci-dessous.

<p><b>Nom de modèle</b> _____</p> <p><b>N° de série</b> _____</p>
---

Veillez lire attentivement ce manuel afin d'apprendre comment utiliser correctement votre produit. La lecture de ce manuel permettra d'éviter, à vous et aux autres, des accidents corporels et des dommages au produit. Bien que BAD BOY conçoive, produise et commercialise des produits sûrs et de pointe, il est de votre responsabilité d'utiliser votre nouveau produit correctement et de façon sûre. (Vous être également responsable de la formation sur l'utilisation en toute sécurité par toute personne à qui vous en autoriserez l'utilisation.)

Le système d'avertissement de BAD BOY dans ce manuel identifie les dangers potentiels et comprend des messages de sécurité spéciaux permettant d'éviter des blessures, voire la mort. DANGER, AVERTISSEMENT et ATTENTION sont les mots utilisés pour identifier le niveau de danger. Cependant, quel que soit le niveau de danger, soyez extrêmement prudent.

**DANGER** signale un danger extrême à l'origine de blessures graves, voire mortelles, si les précautions recommandées ne sont pas respectées.

**AVERTISSEMENT** signale un danger à l'origine de blessures graves, voire mortelles, si les précautions recommandées ne sont pas respectées.

**ATTENTION** signale un danger à l'origine de blessures mineures





## Safety

### Operator Safety

1. Read and understand this Owner's/Operator's Manual before using this product. Be thoroughly familiar with the proper use of this product.
2. Never allow children to operate the String Trimmer. It is not a toy. Never allow adults to operate the unit without first reading the Owner's/Operator's Manual.
3. Always wear eye protection that complies with ANSI (American National Standards Institute) Z87-1. [#7-1]
4. Always wear hearing protection. [#7-2]
5. Always wear heavy, long pants, a long sleeved shirt, boots and gloves. Do not wear loose clothing, jewelry, short pants, sandals, or go barefoot. Secure hair so it is above shoulder length.
6. Never operate this String Trimmer when you are tired, ill, or under the influence of alcohol, drugs or medication.
7. Never start or run the engine inside a closed room or building. Breathing exhaust fumes can cause death. [#7-3]
8. Keep handles clean of oil, fuel and dirt.

### String Trimmer Safety

1. Make sure the String Trimmer is assembled correctly and that the Cutting attachment is correctly installed and securely fastened as instructed in the Assembly section.
2. Inspect the String Trimmer before each use. Replace damaged parts. Check for fuel leaks. Make sure all fasteners are in place and tightened securely. Follow the maintenance instructions beginning on page 26.
3. Make sure the cutting head does not rotate at engine idle speed. Refer to Idle Speed Adjustment, page 26.
4. Inspect the cutting head and replace any parts that are cracked, chipped or damaged before using the String Trimmer.
5. Make sure the debris shield is installed and positioned correctly before using the String Trimmer.
6. Never use a cutting head or replacement parts that are not approved by BAD BOY.
7. Maintain the String Trimmer according to the recommended maintenance intervals and procedures in the Maintenance section on page 26.

no se siguen. También se usan otras palabras para destacar la información. “**Importante**” llama la atención sobre información mecánica especial y “**Nota**” enfatiza la información general que merezca atención especial.

## Seguridad

### Seguridad del operador

1. Lea y comprenda este manual del propietario u operador antes de usar el producto. Familiaríces completamente con el uso apropiado de este producto.
2. Nunca permita que los niños operen la recortadora. Ésto no es un juguete. Nunca permita que los adultos operen la unidad sin leer primero el manual del propietario u operador.
3. Siempre use una protección ocular que cumpla con ANSI (Instituto de Estándares Nacionales Americanos) Z87-1. [#7-1]
4. Siempre use protección auditiva. [#7-2]
5. Siempre use pantalones largos, pesados, camisa de manga larga, botas y guantes. No use ropa suelta, joyas, pantalones cortos, sandalias ni ande descalzo. Tómese el cabello de manera que no pase la longitud de los hombros.
6. Nunca opere esta recortadora cuando esté cansado, enfermo o bajo la influencia del alcohol, las drogas o medicinas.

ou modérées si les précautions recommandées ne sont pas respectées. Deux autres termes sont également utilisés pour mettre des informations en évidence. “**Important**” attire l'attention sur des informations mécaniques spéciales et “**Remarque**” met l'accent sur des généralités méritant une attention spéciale.

## Sécurité

### Sécurité de l'utilisateur

1. Lisez et assimilez ce manuel du propriétaire/de l'utilisateur avant d'utiliser ce produit. Familiarisez-vous bien avec l'utilisation correcte de ce matériel.
2. Ne laissez jamais des enfants utiliser coupe-bordures. Ce n'est pas un jouet. Ne laissez jamais des adultes utiliser la machine sans qu'ils aient lu le manuel du propriétaire /de l'utilisateur.
3. Portez toujours des lunettes de protection conformes à Z87-1 de l'ANSI (American National Standards Institute). [#7-1]
4. Portez des protège-oreilles. [#7-2]
5. Portez toujours un pantalon épais, des manches longues, des bottes et des gants. Ne portez jamais de vêtements amples, de bijoux, de shorts, de sandales et ne soyez jamais pieds nus. Arrangez vos cheveux pour qu'ils ne descendent pas en dessous des épaules.

7. Nunca arranque ni opere el motor dentro de una sala o edificio cerrado. Respirar los humos del escape puede causar la muerte. [#7-3]
8. Mantenga las manijas limpias de aceite, combustible y suciedad.

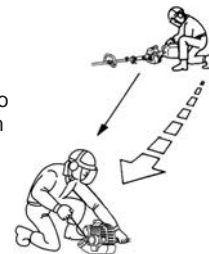
### Seguridad de la recortadora

1. Asegúrese que la recortadora sea ensamblada correctamente, y que el accesorio de corte sea instalado correctamente y asegurado de la manera que se instruye en la sección de montaje.
2. Inspeccione la recortadora antes de cada uso. Reemplace las partes dañadas. Verifique escape de combustible. Asegúrese que todos los seguros estén en posición y firmemente asegurados. Siga las instrucciones de mantenimiento que comienzan en la página 26.
3. Asegúrese que la cabeza de corte no rote a la velocidad de ralentí del motor. Refiérase al ajuste de la velocidad del ralentí, página 26.
4. Inspeccione la cabeza de corte y reemplace las partes que no estén quebradas, picadas o dañadas antes de usar la recortadora.
5. Asegúrese que la pantalla de la cabeza de corte sea instalada y posicionada correctamente antes de usar la recortadora.

6. N'utilisez jamais ce coupe-bordures si vous êtes fatigué, malade ou sous l'influence d'alcool, de drogue ou de médicaments.
7. Ne mettez jamais le moteur en marche ou ne le faites jamais tourner dans une salle ou un bâtiment fermé. Respirer des gaz d'échappement peut être mortel. [#7-3]
8. Eviter de salir les poignées avec de l'huile, du carburant ou de la terre.

### Sécurité du coupe-bordures

1. Assurez-vous que le coupe-bordures est correctement monté et que le dispositif de coupe est correctement monté et bien fixé, conformément au paragraphe sur le montage.
2. Avant chaque utilisation, inspectez le coupe-bordures et remplacez les pièces endommagées. Assurez-vous qu'il n'y a pas de fuites de carburant. Assurez-vous que toute la visserie est en place et bien serrée. Suivez les instructions d'entretien commençant à la page 26.
3. Assurez-vous que la tête rotative ne fonctionne pas quand le moteur est au ralenti. Référez-vous à Réglage du ralenti page 26.
4. Avant d'utiliser le coupe-bordures, vérifiez la tête rotative et remplacez toutes les pièces qui sont fendues, ébréchées ou endommagées.



10 ft (3m) Minimum  
10 pies (3m) mínimo  
3m (10pi.) Minimum

8. Shut off the engine and be certain the cutting head has completely stopped rotating before inverting the String Trimmer, performing maintenance on or working on the machine.
9. If running problems or excessive vibration occur, stop immediately and inspect the unit for the cause. If the cause cannot be determined or is beyond your ability to correct, return the String Trimmer to your servicing dealer for repair.
10. The Exhaust gases are extremely hot. Keep flammable materials and objects at least 3ft. (1m) away from the direction that the exhaust gases are coming out of the muffler. Do not cover the exhaust gases with any items. There is a high risk of materials and objects catching fire and getting burned.
11. During the operation and idling of the unit, the engine is very hot. Also, for a while after the engine stops, the engine is still hot. Do not place the engine near flammable materials such as dried grass. There is a high risk of materials catching fire. Similarly, touching the engine can cause severe burns.

6. Nunca use una cabeza de corte o partes de reemplazo que no estén aprobadas por BAD BOY.
7. Efectúe el mantenimiento de la recortadora de acuerdo con los intervalos y procedimientos de mantenimiento recomendados en la sección de mantenimiento de la página 26.
8. Apague el motor y asegúrese que la cabeza de corte haya dejado de rotar completamente antes de invertir la recortadora/desbrozadora, para efectuar el mantenimiento o trabajar en la máquina.
9. Si hay problemas de operación o se produce vibración excesiva, detenga inmediatamente e inspeccione la unidad para localizar la causa. Si la causa no puede ser determinada o está más allá de su capacidad para corregirla, retorne la recortadora a su distribuidor de servicio para repararla.
10. Los gases de escape son extremadamente calientes. Mantenga los materiales y objetos inflamables al menos de 3 pies (1m) de distancia de la dirección en que los gases de escape que salen de silenciador. No cubra el escape de gases con ningún artículo. Existe un alto riesgo de que los materiales y objetos se enciendan y se quemen.
11. Durante la operación y el ralentí de la unidad, el motor está muy caliente. También, tiempo después que el motor se detenga, el motor estará bastante caliente. No coloque el motor cerca de

5. Avant d'utiliser le coupe-bordures, assurez-vous que le carter de protection est bien installé.
6. N'utilisez jamais une tête rotative ou des pièces de rechange qui ne soient pas approuvées par BAD BOY.
7. Effectuez l'entretien du coupe-bordures conformément aux intervalles d'entretien recommandés et aux procédures détaillées au chapitre Entretien commençant à la page 26.
8. Avant d'inverser la fonction coupe-bordures, d'effectuer l'entretien ou de travailler sur la machine, éteignez le moteur et assurez-vous que la tête rotative est à l'arrêt complet.
9. En cas de problèmes de fonctionnement ou de vibrations excessives, arrêtez immédiatement la machine et inspectez-la pour en trouver la cause. Si la cause ne peut pas être déterminée ou si vous ne pouvez pas la corriger, renvoyez le coupe-bordures à votre concessionnaire pour réparation.
10. Les gaz d'échappement sont extrêmement chauds. Gardez les matériaux inflammables, les personnes et les animaux à 1 m (3 pi.) de la direction d'échappement du silencieux. Ne bloquez pas les gaz d'échappement d'objets. Il existe un risque de blocage du feu et de brûlure.
11. Pendant le fonctionnement et le ralenti, le moteur est très chaud. En outre, pendant un certain temps après l'arrêt du moteur, le moteur est chaud. Ne placez pas le moteur à proximité de

## Fuel Safety

1. Gasoline is highly flammable and must be handled and stored carefully. Use a container approved for fuel to store gasoline and/or fuel/oil mixture.
2. Mix and pour fuel outdoors, where there are no sparks or flames.
3. Do not smoke near fuel or String Trimmer, or while using the String Trimmer.
4. Do not overfill the fuel tank. Stop filling 1/4-1/2 in. (6 mm-13 mm) from the top of the tank.
5. Wipe up any spilled fuel before starting the engine.
6. Move the String Trimmer at least 10ft. (3m) away from the fueling location before starting the engine.
7. Do not remove the fuel tank cap while the engine is running, or right after stopping the engine.
8. Allow the engine to cool before refueling.
9. Drain the tank and run the engine dry before storing the unit.
10. Store fuel and String Trimmer away from open flame, sparks and excessive heat. Make sure fuel vapors cannot reach sparks or open flames from water heaters, furnaces, electric motors, etc.

materiales inflamables como pasto seco. Existe un alto riesgo de que estos materiales se enciendan. De igual manera al tocar el motor se corre el riesgo de quemarse.

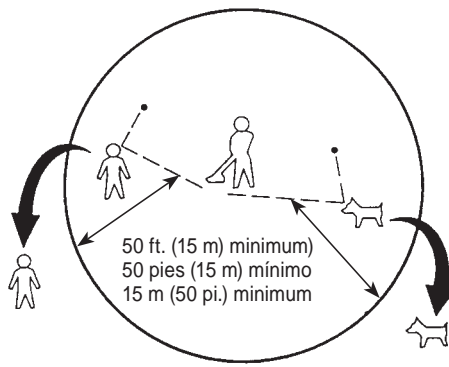
## Seguridad del combustible

1. La gasolina es altamente inflamable y debe ser manipulada y almacenada cuidadosamente. Use un recipiente aprobado para combustible para almacenar la gasolina y/o la mezcla de combustible/aceite.
2. Mezcle y vierta el combustible en exteriores, donde no hayan chispas ni llamas.
3. No fume cerca del combustible o de la recortadora, o mientras no usa la recortadora.
4. No llene en exceso el depósito de combustible. Detenga el llenado a 1/4-1/2 en. (6 mm-13 mm) desde la parte superior del depósito.
5. Limpie el combustible salpicado antes de arrancar el motor.
6. Mueva la recortadora al menos 10 pies (3m) de la localización del combustible antes de arrancar el motor.
7. No extraiga la tapa de combustible mientras el motor está operando, ni inmediatamente después de detener el motor.
8. Permita que el motor se enfríe antes de rellenarlo de combustible.

materiaux inflammables tels que de l'herbe sechee. Il y a un risque d'incendie. De même toucher le moteur c'est risquer de se brûler.

## Sécurité du carburant

1. L'essence est hautement inflammable et doit être manipulée et stockée avec précaution. Utilisez un bidon approuvé pour le stockage d'essence et/ou de mélange carburant/huile.
2. Mélangez et versez le carburant à l'extérieur, à l'écart des étincelles et des flammes.
3. Ne fumez pas à côté d'un bidon de carburant ou du coupe-bordures ou lorsque vous utilisez le coupe-bordures.
4. Ne remplissez pas trop le réservoir de carburant. Arrêtez le remplissage entre 6mm - 13mm (1/4-1/2 po.) du haut du réservoir.
5. Essuyez tout carburant renversé avant de mettre le moteur en marche.
6. Éloignez le coupe-bordures d'au moins 3m (10pi.) de l'emplacement de remplissage en carburant avant de mettre le moteur en marche.
7. Ne retirez pas le bouchon du réservoir de carburant quand le moteur tourne ou immédiatement après l'arrêt du moteur.
8. Laissez le moteur se refroidir avant de refaire le plein.



## String Trimmer Operating Safety

1. THIS STRING TRIMMER CAN CAUSE SERIOUS INJURIES. Read the instructions carefully. Be familiar with all controls and the proper use of the String Trimmer.
2. Make sure the 3 mm hex wrench has been removed from the gearcase and boss adapter before you start the engine.
3. Avoid using the String Trimmer near rocks, gravel, stones and similar material which can become dangerous projectiles.
4. Inspect your work area before you begin. Remove objects such as broken glass, nails, wire and rocks which can become dangerous projectiles if thrown by the String Trimmer. Remove string, rope or similar materials which can become entangled in the cutting head.
5. Keep children, bystanders and animals outside a 50 ft. (15 m) radius from the operator and String Trimmer.
6. If you are approached while operating the String Trimmer, stop the engine and cutting head rotation.
7. Never allow children to operate the String Trimmer.
8. Use the String Trimmer only in daylight or good artificial light.
9. Never operate the String Trimmer without proper guards or other protective safety devices in place.
10. Always keep the String Trimmer on the right side of your body.
11. Do not raise the cutting head above waist level.
12. Do not put hands or feet near or under any rotating parts. Keep clear at all times. Keep all parts of your body away from the rotating cutting attachment and hot surfaces such as the muffler.
13. Keep firm footing and balance. Do not overreach.
14. Use the right tool for the job. Do not use the String Trimmer for any job that is not recommended by BAD BOY.

9. Drene el depósito y opere el motor seco antes de almacenar la unidad.
10. Almacene el combustible y la recortadora/desbrozadora alejados de fuego, chispas y el calor excesivo. Asegúrese que los vapores de combustible no alcance a las chispas ni el fuego de los calentadores, hornos, motores eléctricos, etc.

## Seguridad de operación de la recortadora

1. ESTA RECORTADORA PUEDE CAUSAR LESIONES SERIAS. Lea cuidadosamente las instrucciones. Familiarícese con todos los controles y el uso apropiado de la recortadora.
2. Asegúrese que la llave hexagonal de 3 mm haya sido removida de la caja de engranaje y el adaptador de protuberancia antes de arrancar el motor.
3. Evite usar la recortadora cerca de rocas, desechos, piedras y materiales similares, que pueden convertirse en proyectiles peligrosos.
4. Inspeccione su área de trabajo antes de comenzar. Extraiga los objetos, tales como vidrios rotos, clavos, alambres y rocas, que pueden transformarse en proyectiles peligrosos si son lanzados por la recortadora. Remueva las cadenas, cuerdas o materiales similares que puedan enredarse en al cabeza de corte.
5. Mantenga a los niños, los observadores y los animales fuera de un radio de 50 pies (15m) del operador y la recortadora.
6. Si alguien se aproxima a usted mientras opera la recortadora, detenga el motor y la rotación de la cabeza de corte.
7. Nunca permita que los niños operen la recortadora.
8. Use la recortadora solamente con luz solar o con buena luz artificial.
9. Nunca opere la recortadora sin las protecciones apropiadas u otros dispositivos de seguridad de protección en posición.
10. Siempre mantenga la recortadora al lado derecho de su cuerpo.
11. No levante la cabeza de corte sobre el nivel de la cintura.
12. No ponga las manos ni los pies cerca o bajo de las partes de rotación. Manténgalo despejado en todo momento. Mantenga todas las partes de su cuerpo alejadas del accesorio de corte rotatorio y las superficies calientes, tales como el silenciador.
13. Mantenga una posición de pie firme y balanceada. No sobrepase el alcance.
14. Use la herramienta correcta para el trabajo. No use la recortadora para ningún trabajo que no sea recomendado por BAD BOY.

9. Videz le réservoir de carburant et faites tourner le moteur jusqu'à épuisement du carburant avant de ranger l'appareil.
10. Remisez le carburant et le coupe-bordures à l'écart des flammes nues, des étincelles et à l'abri de la chaleur excessive. Assurez-vous que les vapeurs ne peuvent pas atteindre d'étincelles de chauffe-eau, de chaudières, de moteurs électriques, etc.

## Sécurité de fonctionnement du coupe-bordures

1. CE COUPE-BORDURES PEUT CAUSER DES BLESSURES GRAVES. Lisez les instructions avec attention. Ayez connaissance de toutes les commandes et de l'utilisation correcte du coupe-bordures.
2. Assurez-vous que la clé hexagonale de 3 mm a été ôtée du renvoi d'angle et de l'adaptateur du moyeu avant de mettre le moteur en marche.
3. Évitez d'utiliser le coupe-bordures près de pierres, gravier, cailloux et matériaux similaires pouvant devenir des projectiles dangereux.
4. Avant de commencer, inspectez la zone de travail. Otez tous les objets tels que les bris de verre, clous, câbles et pierres qui peuvent devenir des projectiles dangereux s'ils sont projetés par le coupe-bordures. Otez toutes les ficelles, cordes ou toutes matières similaires qui peuvent s'emmêler dans la tête rotative.
5. Ne laissez pas les enfants, les personnes tierces et les animaux pénétrer dans un rayon de 15 m (50 pi.) autour de l'utilisateur et du coupe-bordures.
6. Si vous êtes approché alors que vous utilisez le coupe-bordures, arrêtez le moteur et la tête rotative.
7. Ne laissez jamais des enfants utiliser le coupe-bordures.
8. N'utilisez le coupe-bordures qu'à la lumière du jour ou sous un éclairage artificiel adéquat.
9. N'utilisez jamais le coupe-bordures sans les protections et autres dispositifs de sécurité appropriés.
10. Gardez toujours le coupe-bordures à votre côté droit.
11. Ne levez pas la tête rotative au-dessus du niveau de votre taille.
12. N'approchez pas vos mains ou vos pieds près de ou sous toute pièce rotative. Écartez-vous toujours. N'approchez jamais les mains ou les pieds des pièces mobiles. Ne vous approchez pas des surfaces chaudes telles que le silencieux.
13. Placez bien vos pieds en équilibre. N'essayez pas d'augmenter votre portée.
14. Utilisez l'outil convenant à la tâche. N'utilisez pas le coupe-bordures pour un travail pour lequel il n'est pas recommandé par BAD BOY.

# Safety and Instruction Decals

## Símbolos Adhesivos de Seguridad

## Étiquettes de sécurité et instructions



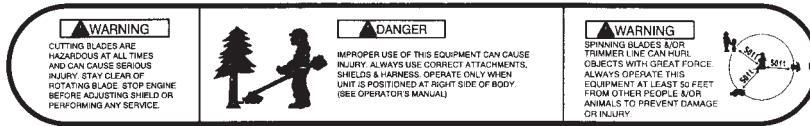
Safety decals and instructions are easily visible to the operator and are located near any area of potential danger. Replace any decal that is damaged or lost.

Los símbolos Adhesivos de Seguridad son de fácil visibilidad y están localizados cerca de los lugares de peligro. Vuelva a poner cualquier símbolo adhesivo en caso de que esté deteriorado o haya sido despegado/s.

Les étiquettes de sécurité et instructions sont facilement visibles par l'utilisateur et sont situées près de toute zone de danger potentiel. Remplacez toute étiquette endommagée ou perdue.



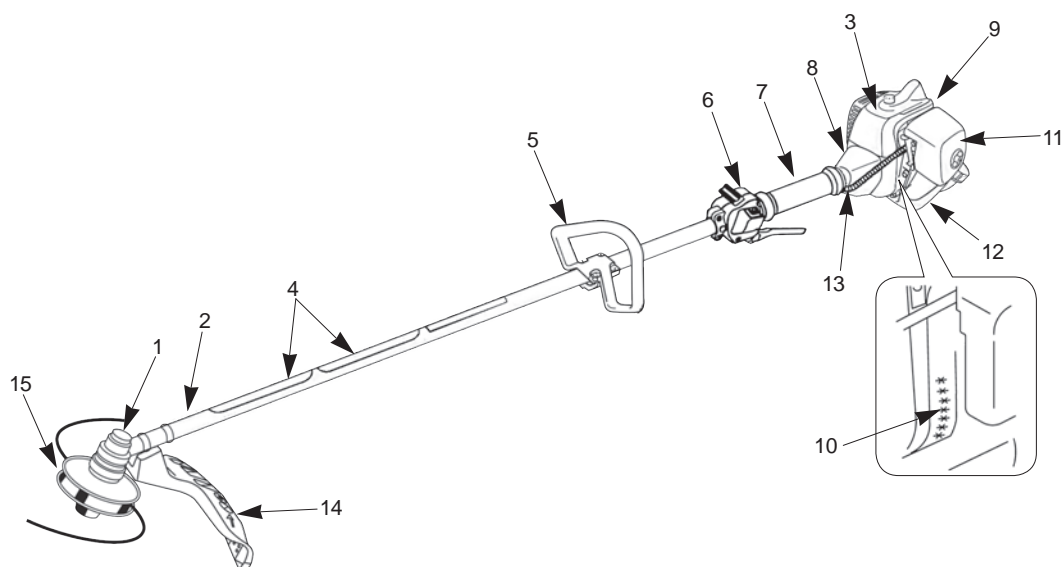
**ON SHAFT**  
**Sobre el Eje**  
**SUR LE ARBRE**  
**(Part No.221501)**



**ON SHAFT**  
**Sobre el Eje**  
**SUR LE ARBRE**  
**(Part No.221502)**



**Product description**  
**Descripción del Producto**  
**Description du produit**



1. Gearcase
2. Shaft Assembly
3. Model Name
4. Safety Decal
5. Loop handle
6. Throttle Trigger and Stop Switch
7. Shaft Grip
8. Clutch Drum Housing
9. Engine

10. Serial Number (on side of engine)
11. Air Filter
12. Fuel Tank
13. Throttle Cable and Stop Switch Wires
14. Debris Shield
15. Trimmer head

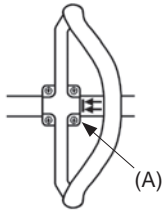
1. Caja de Engranajes
2. Conjunto Eje
3. Nombre del Modelo
4. Adhesivos de Seguridad
5. Manillar en Forma
6. Gatillo del Acelerador e Interruptor de Parada
7. Empuñadura del Eje
8. Cáter del Tambor del Embrague
9. Motor

10. Número de Serie (en el costado del motor)
11. Filtro de Aire
12. Depósito de Combustible
13. Cable del Acelerador y Cable del Interruptor de Parada
14. Protector de Desechos
15. Cabeza de Corte

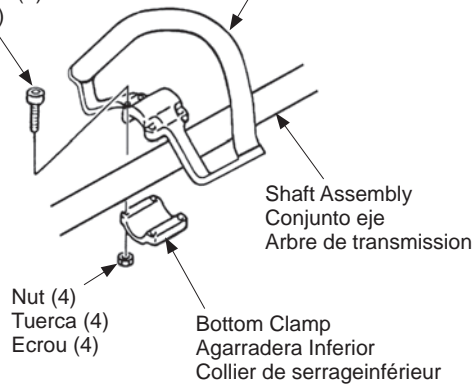
1. Renvoi d'angle
2. Arbre de transmission
3. Nom du modèle
4. Etiquette de sécurité
5. Poignée avant
6. Gâchette d'accélérateur et bouton d'arrêt
7. Poignée de arbre
8. Carter du tambour d'embrayage
9. Moteur

10. Numéro de série (sur le côté du moteur)
11. Filtre à air
12. Réservoir de carburant
13. Câble d'accélérateur et câbles du bouton d'arrêt
14. Pare-débris
15. Tête de coupe

[#12-1]



[#12-2]

Screw (4)  
Tornillo (4)  
Vis (4)Loop Handle  
Manillar en Forma  
Poignée avant

[#12-3]



## Assembly Loop Handle Installation

Loop handle must be assembled gearcase side from the arrow (A). [#12-1]

1. Place the loop handle and the bottom clamp on the shaft assembly. [#12-2]
2. Install the four screws and nuts. Leave the screws finger-tight.
3. Reposition the loop handle up or down the shaft assembly to the most comfortable position, but don't over to the arrow mark. [#12-3]
4. Tighten the screws and nuts.

## Montaje Instalación del manillar en forma

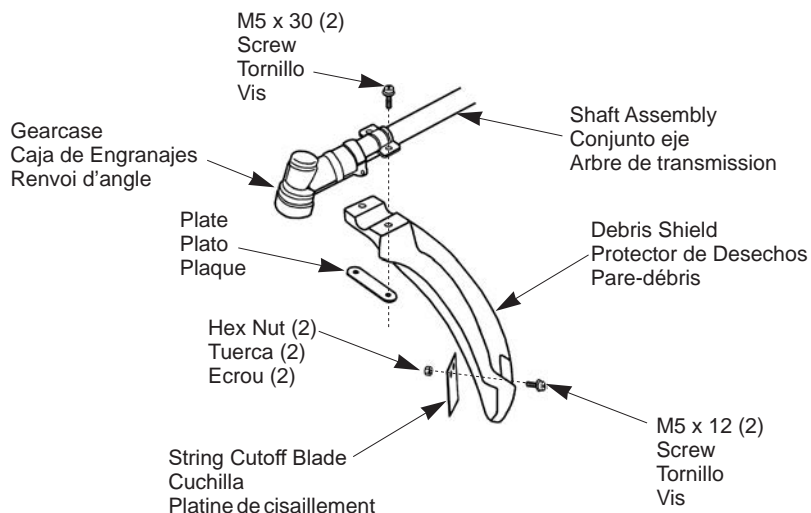
La empuñadura circular debe montarse en el lateral del cárter a partir de la flecha (A). [#12-1]

1. Coloque el manillar en forma y el agarradera Inferior en el eje. [#12-2]
2. Instale los cuatro tornillos y nueces. Deje los tornillos a prueba del dedo.
3. Coloque de nuevo el Manillar en Forma o abajo el conjunto eje a el la posición más cómoda, pero no te acerques a la marca de la flecha. [#12-3]
4. Apriete los tornillos y nueces.

## Montage Montage de la poignée avant

La poignée doit être assemblée au côté du renvoi d'angle à partir de la flèche (A). [#12-1]

1. Placez l'poignée avant et le collier de serrage inférieur sur le arbre de transmission. [#12-2]
2. Installez les quatre vis et les écrou. Quittez les vis étanchées au doigt.
3. Replacez l'poignée avant en haut ou en bas l'arbre de transmission à le la position la plus confortable, mais ne passez pas à la flèche. [#12-3]
4. Serrez les vis et les écrou.



## Installing Debris Shield

### ⚠ WARNING

#### POTENTIAL HAZARD

- Foreign objects can be thrown by the String Trimmer.

#### WHAT CAN HAPPEN

- Contact with thrown objects can cause personal injury.

#### HOW TO AVOID THE HAZARD

- Never operate the String Trimmer without the debris shield in place.

### ⚠ CAUTION

#### POTENTIAL HAZARD

- The cutoff blade is sharp.

#### WHAT CAN HAPPEN

- Contact with cutoff blade could cause serious cuts or personal injury.

#### HOW TO AVOID THE HAZARD

- Keep hands, feet and clothing away from cutoff blade.

1. Fasten the string cutoff blade to the debris shield with two M5 x 12 screws and hex nuts as shown.
2. Attach the debris shield to the shaft assembly with the two M5 x 30 screws and plate as shown.

## Montaje del Protector de Desechos

### ⚠ ADVERTENCIA

#### PELIGRO POTENCIAL

- Objetos no deseados pueden ser lanzados por la recortadora.

#### QUÉ PUEDE OCURRIR

- Los objetos lanzados pueden causar heridas daños personales.

#### CÓMO EVITAR EL PELIGRO

- No realice ningún trabajo sin el protector de desechos de la recortadora en lugar correcto.

### ⚠ CUIDADO

#### PELIGRO POTENCIAL

- La cuchilla está muy afilada.

#### QUÉ PUEDE OCURRIR

- El contacto con la lámina podría causar cortes serios o daños corporales.

#### CÓMO EVITAR EL PELIGRO

- Guarde las manos, los pies, y la ropa ausente de la lámina.

1. Coloque la cuchilla que limita la longitud del nylon utilizando el tornillo de M5x12 bloqueado con la uerca.
2. Fije el protector de desechos a el conjunto eje con dos tornillos M5x30 y el plato.

## Montage de la Pare-débris

### ⚠ AVERTISSEMENT

#### DANGER POTENTIEL

- Des objets étrangers peuvent être projetés Par le coupe-bordures.

#### CE QUI PEUT SE PASSER

- Une personne qui reçoit un objets projeté peut être blessée.

#### COMMENT ÉVITER LE DANGER

- Ne jamais utiliser le coupe-bordure sans la pare-débris.

### ⚠ ATTENTION

#### DANGER POTENTIEL

- La lame à tronçonner est affûtée.

#### CE QUI PEUT SE PASSER

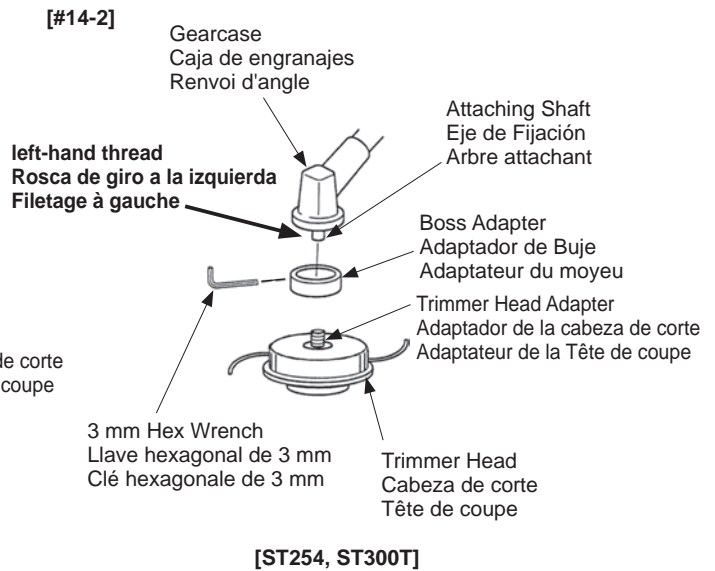
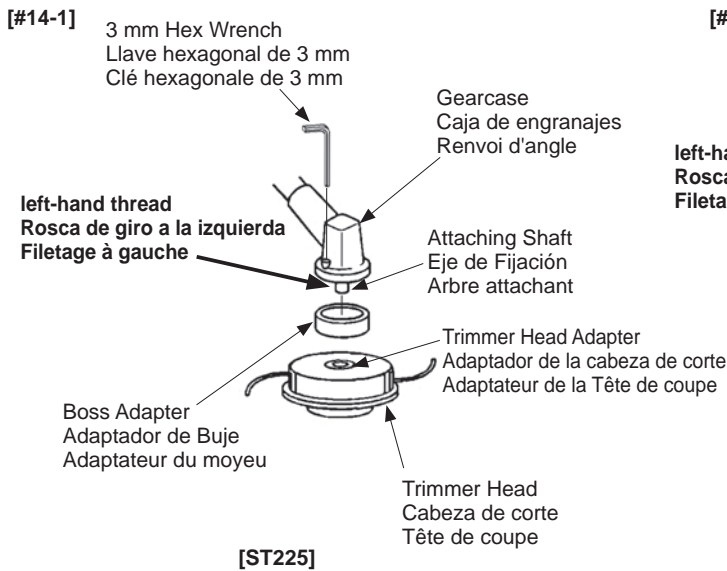
- Le contact avec cette lame peut entraîner des blessures graves.

#### COMMENT ÉVITER LE DANGER

- Maintenez vos mains, pieds et vêtements éloignés des lames à tronçonner.

1. Fixez la platine de cisaillement sur la pare-débris en utilisant la vis M5x12 et l'ecrou carre.
2. Fixez la pare-débris à l'arbre de transmission avec deux vis M5x30 et la plaque (reportez-vous à l'illustration).





## Installing Trimmer Head [#14-1, #14-2]

**IMPORTANT:** The boss adapter must be installed on the attaching shaft between the gearcase and the trimmer head as shown. Attaching shaft is left-hand thread.

1. Install the boss adapter onto the attaching shaft out of the gearcase.
2. Align the hole in the boss adapter with the hole in the gearcase.
3. Insert the 3mm hex wrench into the holes in the boss adapter and gearcase to lock the attaching shaft.
4. Thread the trimmer head adapter to the attaching shaft, then tighten the trimmer head firmly by hand.

**Note:** The attaching shaft is left-hand thread.

5. Remove the 3mm hex wrench from the boss adapter and gearcase.

### ⚠ WARNING

#### POTENTIAL HAZARD

- If the trimmer head is not adequately tightened, it can come loose from the String Trimmer during use.

#### WHAT CAN HAPPEN

- This may cause damage to property or personal injury.

#### HOW TO AVOID THE HAZARD

- Make sure the trimmer head is securely fastened to the attaching shaft in the gearcase.

## Cabeza de Corte [#14-1, #14-2]

**IMPORTANTE:** El adaptador de buje debe ser instalado en el eje de fijación entre el caja de engranajes y el cabeza de corte como mostrado. Y eje de fijación es rosca de giro a la izquierda.

1. Instale el adaptador de buje en el eje de fijación del caja de engranajes.
2. Alinee el orificio del adaptador de buje con el hueco guía de la caja de engranajes.
3. Inserte la llave hexagonal de 3mm en el orificio del adaptador de buje y el hueco guía de la caja de engranajes para bloquear el eje de fijación.
4. Enhebre el eje de fijación a el adaptador de la cabeza de corte, luego apriete el cabeza de la corte firme-mente a mano.

**Nota:** La eje de fijación es rosca de giro a la izquierda.

5. Retire la llave hexagonal de 3mm del adaptador de buje y de la caja de engranajes.

### ⚠ ADVERTENCIA

#### PELIGRO POTENCIAL

- Si la cabeza de corte no está apretada adecuadamente, puede soltarse de la recortadora durante su utilización.

#### QUÉ PUEDE OCURRIR

- Esto puede provocar daños sobre propiedades o daños corporales.

#### CÓMO EVITAR EL PELIGRO

- Asegúrese de que la cabeza de corte está sujeta de forma segura al eje de fijación de la caja de engranajes.

## Montage du tête du coupe [#14-1, #14-2]

**IMPORTANT :** l'adaptateur du moyeu doit être, installé sur le arbre attachant entre le renvoi d'angle et le tete de coupe comme montré. Et arbre attachant est la filetage à gauche.

1. Installez l'adaptateur du moyeu sur l'arbre attachant sur le renvoi d'angle.
2. Aligner le trou situé sur le côté de l'adaptateur du moyeu avec la rainure de guidage dans le renvoi d'angle.
3. Insérez la clé hexagonale de 3mm dans les orifices de l'adaptateur de moyeu et du renvoi d'angle pour verrouiller l'arbre attachant.
4. Introduire l'adaptateur de la tête de coupe à l'arbre attachant, puis serrer la tête de coupe a la main.

**Remarque:** La arbre attachant est la filetage à gauche.

5. Retirer la clé hexagonale de 3 mm de l'adaptateur du moyeu du renvoi d'angle.

### ⚠ AVERTISSEMENT

#### DANGER POTENTIEL

- Si la tête du coupe n'est pas bien serrée, en cours d'utilisation, elle peut se détacher du coupe-bordures.

#### CE QUI PEUT SE PASSER

- Ceci peut causer des dommages de la propriété ou blesser des personnes.

#### COMMENT ÉVITER LE DANGER

- Assurez-vous que la tête du coupe est bien serrée à la pièce de fixation dans le renvoi d'angle.

# Before Operation

## Oil and Fuel

### DANGER

#### POTENTIAL HAZARD

- In certain conditions gasoline is extremely flammable and highly explosive.

#### WHAT CAN HAPPEN

- A fire or explosion from gasoline can burn you, others, and cause property damage.

#### HOW TO AVOID THE HAZARD

- Use a funnel and fill the fuel tank outdoors, in an open area, when the engine is cold. Wipe up any gasoline that spills.
- Do not fill the fuel tank completely full. Add gasoline to the fuel tank until the level is 1/4 - 1/2in. (6mm-13mm) below the bottom of the filler neck. This empty space in the tank allows gasoline to expand.
- Never smoke when handling gasoline, and stay away from an open flame or where gasoline fumes may be ignited by a spark.
- Store gasoline in an approved container and keep it out of the reach of children.

1. Do not smoke near fuel.
2. Mix and pour fuel outdoors and where there are no sparks or flames.

### WARNING

#### POTENTIAL HAZARD

- Gasoline contains gasses that can build up pressure inside a gas tank.

#### WHAT CAN HAPPEN

- Fuel can be sprayed on you when removing gas cap.

#### HOW TO AVOID THE HAZARD

- Remove fuel cap slowly to avoid injury from fuel spray.

3. Always shut off the engine before refueling. Never remove the fuel tank cap while the engine is running or immediately after stopping the engine.
4. Always open the fuel tank cap slowly to release any possible overpressure inside the tank.

# Antes de Utilizar

## Aceite y Combustible

### PELIGRO

#### PELIGRO POTENCIAL

- En ciertas condiciones la gasolina es un producto extremadamente inflamable y altamente explosiva.

#### QUÉ PUEDE OCURRIR

- Un fuego o una explosión puede quemarle a Usted o a terceras personas y puede dañar objetos de la propiedad.

#### CÓMO EVITAR EL PELIGRO

- Use un embudo y proceda a llenar el depósito de combustible en el exterior, en espacios abiertos, cuando el motor este fría. Limpie la gasolina derramada.
- No llene completamente el depósito. Añada gasolina en el depósito de gasolina hasta que esta llegue a 1/4 - 1/2 en. (6mm - 13mm) por debajo del cuello superior de llenado.
- Este espacio vacío en el depósito de gasolina deja que la gasolina se expanda.
- No fume nunca cuando manipule gasolina, y alejese de cualquier fuego abierto cuando manipule gasolina o el contenedor y manténgalo fuera del alcance de niños.

1. No fume cerca del combustible.
2. Mezcle y vierta el combustible en espacios abiertos y donde no haya fuego o llamas.

### ADVERTENCIA

#### PELIGRO POTENCIAL

- La gasolina contiene gases volátiles que pueden producir presión en el interior del depósito de combustible.

#### QUÉ PUEDE OCURRIR

- El combustible puede salir disparado cuando Usted abre la tapa del depósito.

#### CÓMO EVITAR EL PELIGRO

- Quite la tapa del depósito de combustible despacio para evitar que sufra cualquier daño a causa del combustible.

3. Siempre apague el motor antes de proceder al llenado de combustible. Nunca quite la tapa del depósito de combustible mientras el motor este funcionando o inmediatamente después de haber parado el motor.
4. Habra siempre la tapa del combustible despacio para que la posible presión acumulada en el interior del depósito salga de una manera segura.

# Avant utilisation

## Huile et carburant

### DANGER

#### DANGER POTENTIEL

- Dans certaines conditions, l'essence est très inflammable et présente de grands risques d'explosion.

#### CE QUI PEUT SE PASSER

- Un feu ou une explosion dus au carburant peut vous brûler, brûler les autres et causer des dommages matériels.

#### COMMENT ÉVITER LE DANGER

- Utilisez un entonnoir et remplissez le réservoir de carburant à l'extérieur, dans une zone découverte, alors que le moteur est froid. Essuyez tout le carburant qui se serait renversé.
- Ne fumez jamais lorsque vous manipulez un carburant et restez éloigné d'un feu nu ou de tout endroit où le carburant peut être enflammé par une étincelle.
- Ne remplissez pas totalement le réservoir de carburant. Ajoutez le carburant dans le réservoir de carburant jusqu'à atteindre un niveau de 6 mm - 13 mm (1/4 - 1/2 po.) du haut du réservoir. Cet espace vide dans le réservoir permet au carburant de se dilater.
- Stockez le carburant dans un contenant approuvé et ne le laissez pas à la portée des enfants.

1. Ne fumez pas près de carburant.
2. Mélangez et versez le carburant à l'extérieur, dans un endroit éloigné d'étincelles ou de flammes.

### AVERTISSEMENT

#### DANGER POTENTIEL

- L'essence contient des gaz qui peuvent accumuler de la pression à l'intérieur du réservoir de carburant.

#### CE QUI PEUT SE PASSER

- Du carburant peut être pulvérisé lorsque vous ôtez le bouchon de carburant.

#### COMMENT ÉVITER LE DANGER

- Ôtez lentement le bouchon de carburant afin d'éviter des blessures dues à la vaporisation de carburant.

3. Éteignez toujours le moteur avant de remettre du carburant. N'ôtez jamais le bouchon du réservoir de carburant alors que le moteur est en marche ou aussitôt après avoir arrêté le moteur.
4. Ouvrez toujours lentement le bouchon du réservoir de carburant pour libérer petit à petit toute surpression possible à l'intérieur du réservoir.

10ft (3 m) Minimum  
10 pies (3 m) mínimo  
3m (10pi.) Minimum



5. Do not overfill the fuel tank. Stop filling 1/4-1/2 in. (6mm-13mm) from the top of the tank.
6. Tighten the tank fuel cap carefully but firmly after refilling.
7. Wipe up any spilled fuel before starting the engine.
8. Move the String Trimmer at least 10 ft. (3m) away from the fueling location and fuel storage container before starting the engine.

### Recommended Oil Type

Only use a two-stroke engine oil formulated for use in high-performance, air-cooled two-stroke engines. BAD BOY brand two-stroke oil is formulated for use in high-performance, air-cooled two-stroke engines.

**IMPORTANT: Do not use National Marine Manufacturer's Association (NMMA) or BIA certified oils. This type of two-stroke engine oil does not have the proper additives for air-cooled, two-stroke engines and can cause engine damage.**

**Do not use automotive motor oil. This type of oil does not have the proper additives for air-cooled, two-stroke engines and can cause engine damage.**

### Recommended Fuel Type

Use clean, fresh lead-free gasoline, including *oxygenated* or *reformulated* gasoline, with an octane rating of 89 or higher. To ensure freshness, purchase only the quantity of gasoline that can be used in 30 days. Use of lead-free gasoline results in fewer combustion chamber deposits and longer spark plug life. Use of premium grade fuel is not necessary or recommended.

5. No sobrellene el depósito de combustible. Pare de verter combustible al llegar a 1/4-1/2 en. (6mm -13mm) del borde superior del depósito.
6. Apriete la tapa del depósito de combustible con cuidado pero de manera segura después de haberlo rellenado.
7. Seque cualquier vertido de combustible que pudiera haberse vertido antes de proceder al llenado.
8. Aleje la recortadora como mínimo 10 pies (3m) del lugar de llenado de combustible y almacenaje del contenedor de combustible antes de arrancar el motor.

### Tipo de Aceite Recomendado

Úsese solamente en aceite para motor de dos tiempos formulado para uso en motores de dos tiempos enfriados por aire de alto rendimiento. El aceite de 2 tiempos de marca BAD BOY ha sido formulado para uso en motores de dos tiempos enfriados por aire, de alto rendimiento.

**IMPORTANTE: No use aceites certificados por la Asociación de Fabricantes Marinos Nacional (NMMA) o BIA. Este tipo de aceite de motor de 2 tiempos no tiene los aditivos apropiados para los motores de 2 tiempos enfriados por aire y puede causar daños al motor.**

**No use aceite para automóviles. Este tipo de aceites no contiene los aditivos adecuados necesarios para el uso en motores de dos tiempos refrigerados por aire y pueden causar daños en el motor.**

### Tipo de combustible recomendado

Use gasolina sin plomo fresca y limpia, incluyendo gasolina *oxigenada* o *reformada*, con octanaje de 89 o mayor. Para asegurar la frescura, compre sólo la cantidad de gasolina que pueda ser usada dentro de 30 días. El uso de gasolina libre de plomo resulta en menores depósitos en la cámara de combustión y una vida de la bujía más prolongada. El uso de combustible de grado Premium no es necesario ni recomendado.

5. Ne remplissez pas trop le réservoir de carburant. Arrêtez de le remplir à 6mm-13mm (1/4-1/2 po.) du haut du réservoir.
6. Serrez bien le bouchon du réservoir de carburant, après avoir fait le remplissage.
7. Essuyez tout carburant renversé avant de démarrer le moteur.
8. Déplacez le coupe-bordures à au moins 3m (10 pi.) du lieu de remplissage et du contenant de carburant, avant de démarrer le moteur.

### Type d'huile recommandé

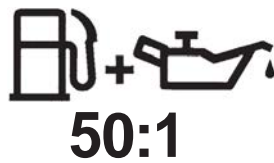
Pour le mélange de carburant, n'utilisez que de l'huile deux temps BAD BOY 50 : 1 ou une huile de qualité élaborée pour les moteurs deux temps à hautes performances, à refroidissement par air.

**IMPORTANT: N'utilisez pas d'huiles certifiées Marine Manufacturer's Association (NMMA) ou BIA. Ces types d'huile moteur deux temps ne comportent pas les additifs convenant aux moteurs deux temps à refroidissement par air et risquent d'endommager le moteur.**

**N'utilisez pas d'huile moteur automobile. Ce type d'huile moteur ne comporte pas les additifs convenant aux moteurs deux temps à refroidissement par air et risque d'endommager le moteur.**

### Type de carburant recommandé

Utilisez de l'essence sans plomb fraîche et propre, y compris de l'essence *oxygénée* ou *reformulée*, avec un niveau d'octane supérieur ou égal à 89. Afin d'assurer la fraîcheur de l'essence, ne l'achetez qu'en une quantité nécessaire pour 30 jours. L'utilisation d'essence sans plomb réduit les dépôts dans la chambre de combustion et allonge la durée de vie de la bougie. L'utilisation d'une essence super n'est ni nécessaire ni recommandée.



50:1

### Use of Fuel Additives

**IMPORTANT:** NEVER USE ALCOHOL, GASOHOL CONTAINING MORE THAN 10% ALCOHOL BECAUSE ENGINE FUEL SYSTEM DAMAGE COULD RESULT.

DO NOT USE FUEL ADDITIVES OTHER THAN THOSE MANUFACTURED FOR FUEL STABILIZATION DURING STORAGE SUCH AS BAD BOY'S STABILIZER/CONDITIONER OR A SIMILAR PRODUCT. BAD BOY'S STABILIZER/CONDITIONER IS A PETROLEUM DISTILLATE BASED CONDITIONER/STABILIZER.

BAD BOY DOES NOT RECOMMEND STABILIZERS WITH AN ALCOHOL BASE SUCH AS ETHANOL, METHANOL OR ISOPROPYL. ADDITIVES SHOULD NOT BE USED TO TRY TO ENHANCE THE POWER OR PERFORMANCE OF MACHINE.

### Mixing Gasoline and Oil

**IMPORTANT:** The engine used on this String Trimmer is of a two-stroke design. The internal moving parts of the engine, i.e., crankshaft bearings, piston pin bearings and piston to cylinder wall contact surfaces, require oil mixed with the gasoline for

lubrication. Failure to add oil to the gasoline or failure to mix oil with the gasoline at the appropriate ratio will cause major engine damage which will void your warranty.

For your fuel premix, use BAD BOY Premium two-stroke Oil Mix, or equivalent ISO-L-EGD & JASO FD oil with a minimum 89 octane high quality gasoline. BAD BOY two-stroke oil is specially formulated to meet the requirements of high-performance, low-emission air-cooled two-stroke engines. Use of other oils may lead to service issues which may not be covered by your warranty.

### Fuel Mixture

The fuel: oil ratio is 50 parts gasoline to 1 part oil or 50:1.

**Note:** Never use a mixing ratio less than 50:1 regardless of the oil package mixing instructions. Ratios less than 50:1, (for example, 60:1, 80:1, 100:1), reduce the amount of lubrication to the internal moving parts of the engine and can cause damage.

### Uso de aditivos de combustible

**IMPORTANTE:** NUNCA USE ALCOHOL, GASOHOL QUE CONTenga MÁS DE 10% DE ALCOHOL A QUE ESTO PODRÍA RESULTAR EN DAÑO AL SISTEMA DE COMBUSTIBLE DEL MOTOR.

NO USE ADITIVOS DE COMBUSTIBLE DISTINTOS DE AQUELLOS MANUFACTURADOS PARA LA ESTABILIZACIÓN DEL COMBUSTIBLE DURANTE EL ALMACENAMIENTO, TALES COMO EL ESTABILIZADOR/ACONDICIONADOR DE BAD BOY O UN PRODUCTO SIMILAR. EL ACONDICIONADOR/ESTABILIZADOR DE BAD BOY ES UN DESTILADO DE PETRÓLEO.

BAD BOY NO RECOMIENDA ESTABILIZADORES CON BASE DE ALCOHOL TALES COMO ETANOL, METANOL O ISOPROPILO. NO SE DEBERÍAN USAR ADITIVOS PARA INTENTAR MEJORAR LA POTENCIA O EL RENDIMIENTO DE LA MÁQUINA.

### Mezcla de Gasolina y Aceite

**IMPORTANTE:** El motor usado en la recortadora está diseñado como motor de dos tiempos. Las partes móviles internas del motor, ejemplo: los cojinetes del cigüeñal, cojinetes del pistón y el pistón, y las superficies de las paredes del cilindro, requieren aceite mezclado con gasolina como lubricante.

La ausencia por error de mezclar aceite con gasolina o el no añadir una proporción adecuada de aceite con la gasolina causará un daño al motor que no está cubierta en la garantía.

Para su mezcla previa de combustible, use la mezcla de aceite de 2 tiempos Premium de BAD BOY, o equivalente al aceite ISO-L-EGD y JASO FD con gasolina de alta calidad de mínimo de 89 octanos. El aceite de 2 tiempos de BAD BOY está formulado especialmente para satisfacer los requerimientos de los motores de 2 tiempos enfriados por aire, de baja emisión y de alto rendimiento. El uso de otros aceites puede llevar a problemas de servicio que podrían no ser cubiertos por su garantía.

### Mezcla de combustible

Combustible: La relación es de 50 partes de gasolina por 1 parte de aceite o 50:1.

**Nota:** Nunca use una relación de mezcla de menos de 50:1 independientemente de las instrucciones de mezcla del paquete de aceite. Las relaciones de menos de 50:1 (por ejemplo; 60:1, 80:1, 100:1) reducen la cantidad de lubricación a las partes móviles internas del motor y pueden causar daños.

### Utilisation d'additifs de carburants

**IMPORTANT:** JAMAIS UTILISER D'ALCOOL, GASOLE CONTENANT PLUS DE 10% DE L'ALCOOL PARCE CARBURANT SYSTÈME POURRAIT ÊTRE ENDOMMAGÉE.

N'UTILISEZ JAMAIS D'ADDITIFS AUTRES QUE CEUX FABRIQUÉS POUR LA STABILISATION DU CARBURANT LORS DU STOCKAGE, TEL LE STABILISATEUR/CONDITIONNEUR DE BAD BOY OU UN PRODUIT SIMILAIRE. LE STABILISATEUR/CONDITIONNEUR DE BAD BOY EST UN STABILISATEUR/CONDITIONNEUR À BASE DE DISTILLAT DE PÉTROLE.

BAD BOY NE RECOMMANDE PAS DE STABILISATEURS À BASE D'ALCOOL TELS QUE L'ÉTHANOL, LE MÉTHANOL OU L'ISOPROPYLE. N'UTILISEZ PAS D'ADDITIFS POUR TENTER D'AMÉLIORER LA PUISSANCE OU LES PERFORMANCES DE LA MACHINES.

### Mélange d'essence et d'huile

**IMPORTANT:** Le moteur utilisé avec ce coupe-bordures est à deux temps. Les pièces mobiles internes du moteur, à savoir, le vilebrequin, les roulements, les paliers des axes de piston et les surfaces de contact entre le piston et la paroi, nécessitent un mélange d'huile avec l'essence pour la lubrification.

L'absence d'apport d'huile à l'essence ou le mélange d'huile avec l'essence dans des proportions inadéquates provoquera de graves dégâts au moteur et annule la garantie. Pour le pré-mélange de carburant, utilisez l'huile deux temps BAD BOY Premium Mix, ou son équivalent, ISO-L-EGD & JASO FD avec une qualité supérieure minimum de 89 octanes. L'huile 2-temps BAD BOY est spécialement formulée pour répondre aux exigences des moteurs 2-temps de haute performance et à faible taux d'émission d'air.

L'utilisation d'autres huiles peut engendrer des problèmes de maintenance qui ne seront peut être pas couverts par la garantie.

### Mélange de carburant

Le rapport d'huile est de 50 parties d'essence pour une partie d'huile, soit 50 : 1.

**Remarque:** N'utilisez jamais un rapport de mélange inférieur à 50 : 1, quelles que soient les instructions de mélange figurant sur le bidon d'huile. Un rapport inférieur à 50 : 1 (60 : 1, 80 : 1, 100 : 1, par exemple) réduit la lubrification des pièces internes du moteur et risque d'endommager celui-ci.



Gasoline	50:1 Two-stroke oil	Gasolina	Aceite de 2 tiempos, 50:1	Essense	50:1 huile du 2-temps
1 gallon	2.6 oz.	1 gallón	2.6 onzas.	1 gallon	2.6 oz.
2 gallons	5.1 oz.	2 gallóns	5.1 onzas.	2 gallons	5.1 oz.
5 gallons	12.8 oz.	5 gallóns	12.8 onzas.	5 gallons	12.8 oz.
1 litre	20 mL	1 litro	20 mL	1 litre	20 mL
5 litres	100 mL	5 litros	100 mL	5 litres	100 mL

### Fuel Mixture Chart

Refer to the chart above.

### Mixing Instructions

**IMPORTANT: Never mix gasoline and oil directly in the String Trimmer fuel tank.**

1. Always mix fuel and oil in a clean container approved for gasoline.
2. Mark the container to identify it as fuel mix for the String Trimmer.
3. Use regular unleaded gasoline and fill the container with half the required amount of gasoline.
4. Pour the correct amount of oil into the container then add the remaining amount of gasoline.
5. Close the container tightly and shake it momentarily to evenly mix the oil and the gasoline before filling the fuel tank on the String Trimmer.

6. When refilling the String Trimmer fuel tank, clean around the fuel tank cap to prevent dirt and debris from entering the tank during cap removal.
7. Always shake the premix fuel container momentarily before filling the fuel tank.
8. Always use a spout or funnel when fueling to reduce fuel spillage.
9. Fill the tank only to within 1/4-1/2 in. (6mm-13mm) from the top of the tank. Avoid filling to the top of the tank filler neck.

#### ⚠ CAUTION

- The fuel should be used within 1 month from the date of mix.

### Diagrama de mezclas de combustible

Consulte la tabla de arriba.

### Instrucciones sobre la Mezcla

**IMPORTANTE: No mezcle nunca el aceite con la gasolina en el depósito de combustible de la recortadora directamente.**

1. Siempre mezcle el combustible y el aceite en un contenedor limpio adecuado para gasolina.
2. Señale el contenedor para identificarlo como contenedor para la mezcla de gasolina con aceite para la recortadora.
3. Use gasolina regular sin plomo y llene el contenedor con la mitad de gasolina requerida.
4. Vierta la correcta cantidad de aceite en el contenedor y después el resto de la cantidad de gasolina.
5. Cierre el contenedor de manera segura y agítelo por un instante para conseguir que el aceite se mezcle con la gasolina de manera apropiada antes de llenar el depósito de la recortadora.

6. Cuando rellene el depósito de combustible de la recortadora, limpie alrededor de la tapa del depósito para evitar que cualquier suciedad o partícula entre en el depósito de combustible cuando quitemos la tapa.
7. Siempre agite la pre-mezcla del contenedor de la mezcla antes de proceder al llenado del depósito.
8. Siempre use un embudo para proceder al llenado del depósito así evitará que se desparrame.
9. Llene solo hasta 1/4 - 1/2 en. (6mm-13mm) de la parte superior del depósito. Evite llenar el depósito hasta el cuello de llenado.

#### ⚠ CUIDADO

- El combustible debe usarse dentro de 1 mes a partir de la fecha de mezcla.

### Tableau de mélange de carburant

Reportez-vous au tableau ci-dessus.

### Instructions de mélange

**IMPORTANT: Ne mélangez jamais l'essence et l'huile directement dans le réservoir de carburant du coupe-bordures.**

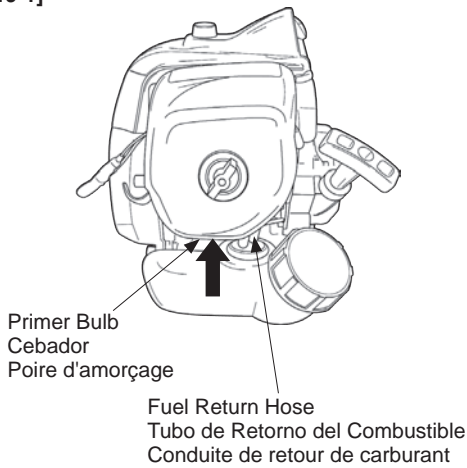
1. Mélangez toujours le carburant et l'huile dans un récipient propre approuvé pour l'essence.
2. Marquez le bidon pour l'identifier comme mélange pour le coupe-bordures.
3. Remplissez le récipient d'essence sans plomb ordinaire jusqu'à la moitié de la quantité d'essence nécessaire.
4. Ajoutez la quantité correcte d'huile et ensuite le reste d'essence.
5. Fermez le bidon et secouez-le pour mélanger l'huile et l'essence avant de remplir le réservoir du coupe-bordures.

6. Lors du remplissage du réservoir de carburant du coupe-bordures, nettoyez autour du bouchon pour éviter que la poussière et les débris ne pénètrent dans le réservoir lors du retrait du bouchon.
7. Secouez toujours le bidon de mélange de carburant momentanément avant de remplir le réservoir de carburant.
8. Utilisez toujours un bec verseur ou un entonnoir lors du plein pour éviter un déversement.
9. Ne remplissez le réservoir qu'à 6 - 13 mm (1/4 - 1/2 po.) du haut du réservoir. Évitez de remplir le réservoir jusqu'en haut.

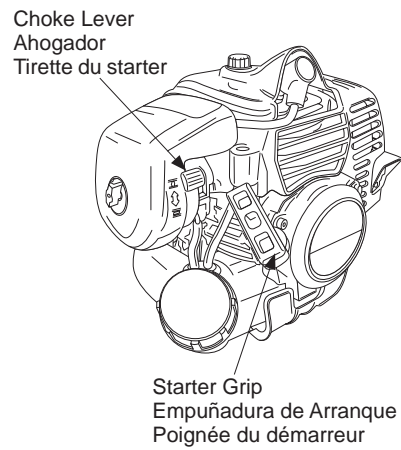
#### ⚠ ATTENTION

- Le carburant doit être utilisé dans un délai d'un mois à compter de la date de mélange.

[#19-1]



[#19-2]



## Starting and Stopping

### Before Starting The Engine

1. Fill the fuel tank as instructed in the Before Operation section of this manual (page 15).
2. Rest the String Trimmer on the ground.
3. Make sure the cutting attachment is clear of any broken glass, nails, wire, rocks or other debris.
4. Keep all bystanders, children and animals away from the working area.

### Cold Starting Procedure

This engine is equipped with a fuel primer and a choke system. To start a "cold" engine properly, perform the following procedure:

1. Pump the primer bulb at the bottom of the carburetor until fuel can be seen flowing through the fuel return hose to the fuel tank. (Flowing fuel should be almost clear, not foamy or full of bubbles.) [#19-1]
2. Move the choke lever to the closed (  $\text{I}$  ) position. And move the control lever to the high speed side approximately half way from the low speed side. [#19-2, #20-1]

## Arranque y Parada

### Antes de Arrancar el Motor

1. Llene el depósito de combustible de la manera indicada en la sección "Antes de Utilizar" este manual (página 15).
2. Deje la recortadora apoyada sobre el suelo.
3. Asegúrese de que el dispositivo de corte esta libre de toda partícula como por ejemplo, cristales rotos, clavos, cables, rocas o otra clase de desechos.
4. Mantenga a personas, niños y animales alejados del area de trabajo.

### Procedimiento para el Arranque en Frio

El carburador de este motor cuenta con un sistema cebador. Para arrancar un motor "en frio" de manera adecuada, siga el siguiente procedimiento:

1. Bombear el cebador hasta que el combustible pueda verse a través del tubo de combustible y que este se dirija al depósito de combustible. (La corriente de combustible deberá verse casi claramente, que no esté lleno de burbujas de aire.) [#19-1]
2. Cierre la palanca del ahogador llevándola a la posición de cerrada (  $\text{I}$  ). Y mueva la palanca de control al lado de alta velocidad aproximadamente a media pulgada del lado de baja velocidad. [#19-2, #20-1]

## Mise en marche et arrêt

### Avant de mettre le moteur en marche

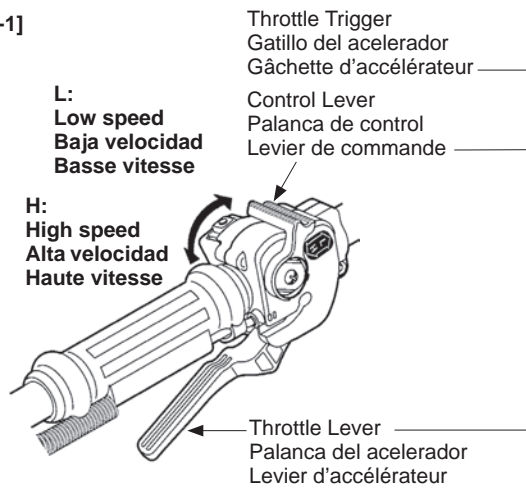
1. Remplissez le réservoir de carburant comme indiqué au chapitre Avant utilisation de ce manuel. (page 15).
2. Mettez le coupe-bordures par terre.
3. Assurez-vous que la zone ne comporte pas de verre cassé, de clous, de fils, de clous, de câbles, de cailloux ou d'autres débris.
4. Ne laissez pas les passants, enfants et animaux s'approcher de la zone de travail.

### Mise en marche du moteur à froid

Le carburateur de ce moteur est équipé d'une poire d'amorçage et d'un starter. Pour mettre en marche un moteur "à froid" correctement, veuillez suivre la procédure suivante:

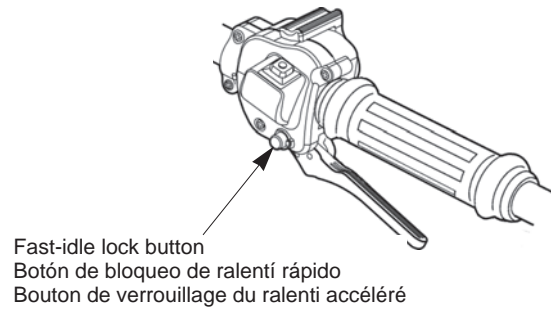
1. Pompez la poire d'amorçage jusqu'à ce que l'essence soit visible et s'écoule dans la conduite de retour de carburant dans le réservoir. (L'essence d'écoulant doit être presque transparente, sans mousse ni pleine de bulles d'air.) [#19-1]
2. Mettez la tirette du starter du démarreur en position fermée (  $\text{I}$  ). Et déplacer le levier de commande du côté à vitesse élevée d'environ 1,2cm à partir du côté basse vitesse. [#19-2, #20-1]

[#20-1]



3. Move the control lever to the middle position.
4. Grasp the throttle lever then push the fast-idle lock button. Release your hand with holding the fast-idle lock button to lock the fast-idle. (#20-2)
5. Pull the starter grip.
6. After the engine starts, squeeze and release the throttle lever to return it to the idle position, then move the choke lever to the open (☰) position.  
If the engine stops running before you move the choke lever to the open (☰) position:  
Go ahead and open the choke, pull the starter grip with the throttle trigger at Fast-idle position.

[#20-2]



### ⚠ WARNING

#### POTENTIAL HAZARD

- The components of your recoilstarter assembly are under high spring tension. If improperly disassembled these parts may strike you with considerable force, possibly causing personal injury.

#### WHAT CAN HAPPEN

- Contact with the parts can cause severer personal injury.

#### HOW TO AVOID THE HAZARD

- Never attempt to disassemble your recoil starter assembly yourself. Always consult your authorized BAD BOY dealer for repair by qualified service technicians.

### ⚠ CAUTION

- Do not pull the Starter rope all the way out.

3. Mueva la palanca de control a la posición media.
4. Sujete la palanca del acelerador y luego presione el botón de bloqueo de ralentí rápido. Libere su mano manteniendo presionado el botón de bloqueo de ralentí rápido para bloquear el ralentí rápido. (#20-2)
5. Tire de la empuñadura de arranque.
6. Después que el motor haya arrancado, accione y afloje el palanca del acelerador para dejar que vuelva a la posición de ralentí. Entonces lleve la palanca del ahogador a la posición de abierta (☰).  
Si el motor se detiene antes de mover la palanca del ahogador a la posición abierta (☰):  
Siga y abra el ahogador, tire de la palanca de arranque con el gatillo del acelerador puesto en posición en ralentí rápido.

### ⚠ ADVERTENCIA

#### PELIGRO POTENCIAL

- Los componentes de su recoilstarter montaje están bajo alta tensión del muelle. Si incorrectamente desmontado estas piezas usted maystrike con una fuerza considerable, posiblemente causando injury personal.

#### QUÉ PUEDE OCURRIR

- El contacto con las partes puede causar severas lesiones personales.

#### CÓMO EVITAR EL PELIGRO

- Nunca intente desmontar el retroceso conjunto del arranque usted mismo. Siempre consulte a su autorizado BAD BOY distribuidor para su reparación por personal cualificado.

### ⚠ CUIDADO

- No tire el cordel de arranque hasta el fin.

3. Déplacez le levier de commande en position médiane.
4. Saisissez le levier d'accélérateur puis appuyez sur le bouton de verrouillage du ralenti accéléré. Relâchez la main en maintenant le bouton de verrouillage du ralenti accéléré pour verrouiller le ralenti accéléré. (#20-2)
5. Tirez sur la poignée de démarrage operation.
6. Quand le moteur tourne, serrez et relâchez le câble de le levier d'accélérateur pour lui permettre de retourner en position de ralenti. Puis tournez la tirette du starter en position Ouvert (☰).  
Si le moteur s'arrête de tourner avant que vous mettiez la tirette du starter en position ouvert (☰):  
Ouvrez la tirette du starter, tirez sur la poignée du démarreur, tout en maintenant le câble de la gâchette d'accélérateur en position ralenti accéléré.

### ⚠ AVERTISSEMENT

#### DANGER POTENTIEL

- Les composants de votre recoilstarter Assemblée sont sous tension de ressort élevée. Se il est mal démonté ces pièces vous maystrike avec une force considérable, pouvant entraîner enjuillet personnel.

#### CE QUI PEUT SE PASSER

- Contact avec les pièces peut causer sévère blessures.

#### COMMENT ÉVITER LE DANGER

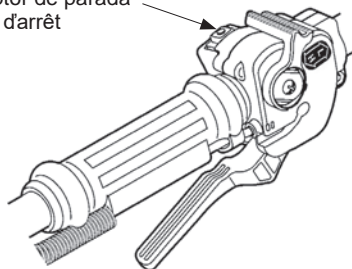
- Ne tentez jamais de démonter votre reculer ensemble démarreur-vous. Consultez toujours votre autorisée BAD BOY revendeur pour réparation par un personnel qualifié Les techniciens de service.

### ⚠ ATTENTION

- Ne tirez pas sur le cordon du démarreur jusqu'au bout.



Stop Switch  
Interruptor de parada  
Bouton d'arrêt



### Hot Restart

To start an engine that is already warmed up (hot restart), or if the ambient temperature exceeds 68°F (20°C):

1. Pump the primer bulb at the bottom of the carburetor until fuel can be seen flowing through the fuel return hose to the fuel tank. (Flowing fuel should be almost clear, not foamy or full of bubbles.)
2. Move the choke lever to the open (☰) position.
3. Leave the throttle trigger in the idle position and pull the starter grip.
4. If the engine fails to start after three to four pulls, follow the instruction in the Cold Starting Procedure section (page 19).  
If the engine fails to start after you follow the above procedures, contact an authorized BAD BOY dealer.

### To Stop The Engine

1. Release the throttle lever.
2. Push the stop switch of the throttle trigger until the engine will stop.

### Arranque en Caliente

Para volver a arrancar el motor una vez de que éste caliente (arranque en caliente) o si la temperatura ambiente supera los 68°F (20°C).

1. Bombear el cebador hasta que el combustible puede verse a través del tubo de combustible y que este se dirige al depósito de combustible. (La corriente de combustible deberá verse casi claramente, que no esté lleno de burbujas de aire.)
2. Ponga la palanca del ahogador en la posición de abierta (☰).
3. Deje el gatillo del acelerador en la posición de ralentí y tire de la empuñadura de arranque.
4. Si el motor no arranca después de tres o cuatro intentos, siga las instrucciones del Procedimiento para el Arranque en Frio en la sección de arriba (página 19).

Si el motor tampoco arrancase siguiendo el procedimiento arriba descrito, póngase en contacto con el concesionario de BAD BOY.

### Para Parar El Motor

1. Suelta la palanca del acelerador.
2. Presione el interruptor de parada del gatillo del acelerador hasta que el motor se detenga.

### Redémarrage à chaud

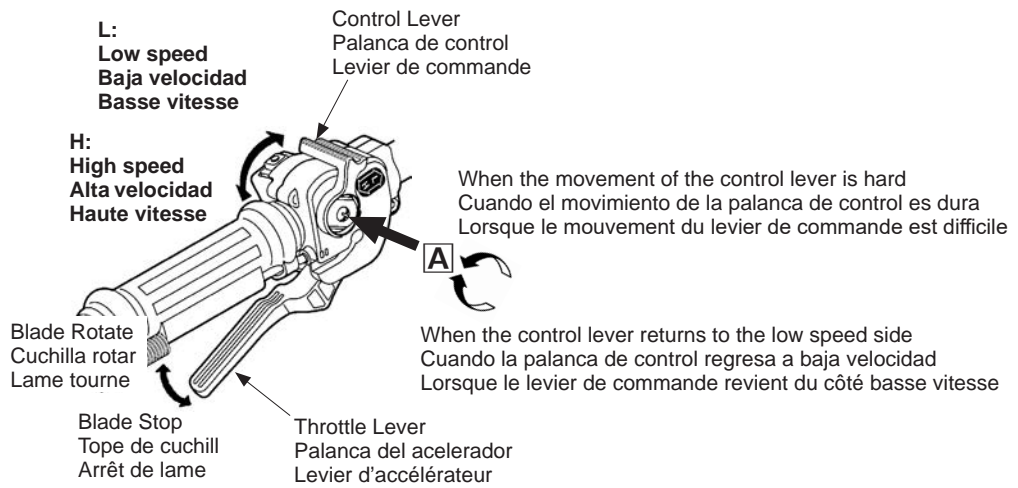
Pour démarrer un moteur qui est déjà réchauffé (redémarrage à chaud), ou si la température ambiante est supérieure à 20°C (68°F):

1. Pompez la poire d'amorçage jusqu'à ce que l'essence soit visible et s'écoule dans la conduite de retour de carburant dans le réservoir. (L'essence d'écoulant doit être presque transparente, sans mousse ni pleine de bulles d'air.)
2. Mettez la tirette du starter en position ouverte (☰).
3. Laissez la gâchette d'accélérateur à mi-régime et tirez la poignée du démarreur.
4. Si le moteur ne démarre pas après trois à quatre tentatives, suivez les instructions dans le Mise en marche du moteur à froid Section Procédure (page 19).

Si le moteur ne démarre pas après que vous avez suivi la procédure, contactez un concessionnaire agréé BAD BOY.

### Arrêt du moteur

1. Relâchez le levier d'accélérateur.
2. Appuyez sur le bouton d'arrêt de la gâchette d'accélérateur jusqu'à ce que le moteur s'arrête.



## Instruction of the throttle trigger

### Start the blade rotation

1. Grasp the throttle lever.
2. Move the control lever to high speed side slowly.
3. Then engine speed increase gradually, and the blade starts rotation.
4. Adjust the blade rotational speed by the control lever.

**Note: Engine speed does not increase by grasping the throttle lever if the control lever is positioned at low speed side fully.**

### Stop the blade rotation

1. The engine speed will slow to idling by moving the control lever to low speed position fully, or releasing the throttle lever.
2. If you did not change the control lever position, engine speed will return to the original adjusted speed when grasping the throttle lever again.

**Note: If the control lever returns to the low speed side during operation, turn the screw **A** clockwise. Over tighten causes movement failure of the control lever. So careful tightening is required.**

## Instrucción del gatillo del acelerador

### Comience la rotación de la cuchilla

1. Sujete la palanca del acelerador.
2. Mueva la palanca de control al lado de alta velocidad lentamente.
3. Luego, la velocidad del motor aumenta gradualmente y la cuchilla comienza a girar.
4. Ajuste la velocidad de rotación de la cuchilla con la palanca de control.

**Nota: La velocidad del motor no aumenta al agarrar la palanca del acelerador si la palanca de control se coloca completamente en el lado de baja velocidad.**

### Pare la rotación de la cuchilla

1. La velocidad del motor bajará a ralentí moviendo la palanca de control a la posición de baja velocidad por completo o soltando la palanca del acelerador.
2. Si no cambió la posición de la palanca de control, la velocidad del motor se convertirá en la velocidad original ajustada cuando vuelva a agarrar la palanca del acelerador.

**Nota: Si la palanca de control regresa al lado de velocidad baja durante la operación, ajuste el tornillo **A** en sentido de las manecillas del reloj. Ajustar de más causa fallas en el movimiento de la palanca de control. Por lo cual un ajuste cuidadoso es requerido.**

## Instruction de la gâchette d'accélérateur

### Démarrer la rotation de la lame

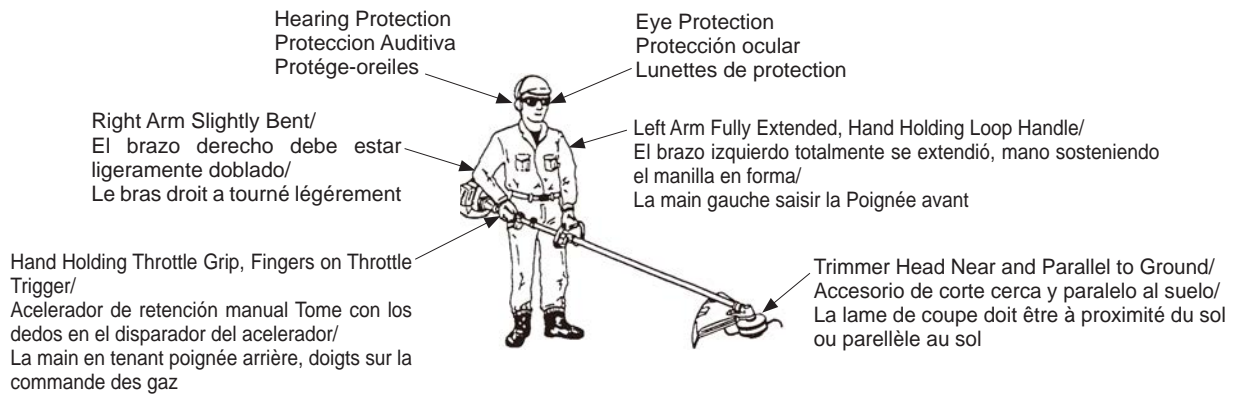
1. Saisissez le levier d'accélérateur.
2. Déplacez lentement le levier de commande sur le côté haute vitesse.
3. Ensuite, le régime moteur augmente progressivement et la lame commence à tourner.
4. Réglez la vitesse de rotation de la lame à l'aide du levier de commande.

**Remarque: La vitesse du moteur n'augmente pas en saisissant le levier d'accélérateur. Si le levier de commande est complètement positionné du côté basse vitesse.**

### Arrêter la rotation de la lame

1. Le régime moteur sera réduit au ralenti en déplaçant complètement le levier de commande en position de vitesse lente ou en relâchant le levier d'accélérateur.
2. Si vous n'avez pas modifié la position du levier de commande, le régime du moteur revient à la vitesse initiale lorsque vous saisissez à nouveau le levier d'accélérateur.

**Remarque: Si le levier de commande revient du côté basse vitesse pendant le fonctionnement, tournez la vis **A** dans le sens des aiguilles d'une montre. Un serrage excessif entraîne une défaillance du mouvement du levier de commande. Un serrage minutieux est donc nécessaire.**



## Operation

### ⚠ WARNING

#### POTENTIAL HAZARD

- Foreign objects can be thrown by the String Trimmer.

#### WHAT CAN HAPPEN

- Contact with thrown objects can cause personal injury.

#### HOW TO AVOID THE HAZARD

- Never operate the String Trimmer without the debris shield in place.

### ⚠ CAUTION

- Read the Safety instructions on page 7 concerning proper use of the String Trimmer.

## String Trimmer Operating Position

Before using the String Trimmer, check the following:

1. Make sure the 3mm hex wrench has been removed from the gearcase and boss adapter before you start the engine.
2. The String Trimmer should be on the operator's right side.
3. The operator's right hand should be holding the shaft grip, with his or her fingers on the throttle trigger. The right arm should be slightly bent.
4. The left hand should be holding the loop handle with the fingers and thumb fully enclosed around the grip. The left arm should be extended. Reposition the loop handle up or down the shaft assembly if necessary for a comfortable position.
5. The String Trimmer weight should be evenly distributed between the arms. The trimmer head should be near and parallel to the ground.

## Uso

### ⚠ ADVERTENCIA

#### PELIGRO POTENCIAL

- Objetos no deseados pueden ser lanzados por la recortadora.

#### QUÉ PUEDE OCURRIR

- Los objetos lanzados pueden causar heridas daños personales.

#### CÓMO EVITAR EL PELIGRO

- No realice ningún trabajo sin el protector de la recortadora en lugar correcto.

### ⚠ CUIDADO

- Lea las instrucciones de seguridad en la página 7 con respecto al uso de la recortadora.

## Posición de funcionamiento del Recortadora

Antes de utilizar el recortadora, verifique lo siguiente:

1. Asegúrese que la herramienta de retención de (llave hexagonal de 3 mm) ha sido removido de la caja de engranaje y el adaptador de protuberancia antes de arrancar el motor.
2. El recortadora debe estar en el lateral derecho del operario.
3. La mano derecha del operario debe sujetar el agarre del eje, con los dedos en el gatillo del acelerador. El brazo derecho debe estar ligeramente doblado.
4. La mano izquierda debe sujetar el manillar en forma de bucle con los dedos y el pulgar completamente cerrados alrededor del agarre. El brazo izquierdo puede extenderse. Coloque de nuevo el Manillar en Forma o abajo el conjunto eje a el la posición más cómoda.
5. El peso del recortadora debe distribuirse por igual entre los brazos. El accesorio de corte debe estar cerca y paralelo al suelo.

## Utilisation

### ⚠ AVERTISSEMENT

#### DANGER POTENTIEL

- Des objets étrangers peuvent être projetés par le coupe-bordures.

#### CE QU'IL PEUT SE PASSER

- Entrer en contact avec des objets projetés peut causer des blessures corporelles.

#### COMMENT ÉVITER LE DANGER

- N'utilisez jamais le coupe-bordures sans que soit montée sa pare-débris.

### ⚠ ATTENTION

- Veuillez lire les instructions de sécurité page 7, concernant l'utilisation correcte du coupe-bordures.

## Position d'utilisation d'un coupe-bordures

Avant d'utiliser le coupe-bordures, effectuez les vérifications suivantes:

1. Assurez-vous que l'outil de retenue (la clé hexagonale de 3 mm) a été ôté du renvoi d'angle et de l'adaptateur du moyeu, avant de mettre le moteur en marche.
2. Le coupe-bordures doit être placé sur le côté droit de l'utilisateur.
3. La main droite de l'utilisateur doit tenir la poignée de arbre, avec les doigts sur la gâchette d'accélérateur. Le bras droit a tourné légèrement.
4. La main gauche doit tenir la poignée avant gauche avec les doigts et le pouce enserrant complètement la poignée. Le bras gauche doit être étendue. Remplacez l'poignée avant en haut ou en bas l'arbre de transmission à le la position la plus confortable.
5. Le poids coupe-bordures devrait être distribute également entre les armes. L'attachement coupant devrait être proche et placer parallèlement à la terre.

6. Accelerate and hold the engine at cutting speed before entering the material to be cut.
7. Always release the throttle trigger and allow the engine to return to idle speed when not cutting.
8. Stop the String Trimmer engine when moving between work sites.

**⚠ CAUTION**

- Always wear gloves and protective clothing when operating the String Trimmer.

- If the trimmer head becomes jammed, stop the engine immediately.
- Make certain all moving parts have stopped and disconnect the spark plug before inspecting the equipment for damage.
- Never use a String Trimmer that has chipped, cracked or broken trimmer head.

6. Acelere y mantenga el motor a la velocidad de corte antes de introducir hierba para cortarla.
7. Suelte siempre el accionador del acelerador y deje que el motor vuelva a la velocidad de ralentí cuando no esté cortando.
8. Pare el motor cuando se desplace de un lugar de trabajo a otro.

**⚠ CUIDADO**

- Siempre use guantes y ropa de protección cuando opere la recortadora.

- Si el accesorio de corte se atasca, detenga inmediatamente el motor.
- Cerciórese que todas las partes móviles se hayan detenido y desconecte la bujía antes de inspeccionar los equipos por daños.
- Nunca use una recortadora que tenga un accesorio de corte picado, quebrado o roto.

6. Accélérer et maintenir le moteur à la vitesse de coupe avant de vous approcher de l'herbe à couper.
7. Lorsque vous ne coupez pas, libérez toujours la manette de gaz et permettez au moteur de revenir à la vitesse de ralenti.
8. Lorsque vous changez de site de travail, arrêtez toujours le moteur du coupe-bordures.

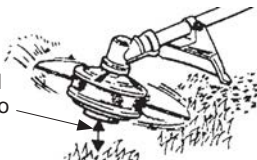
**⚠ ATTENTION**

- Lorsque vous utilisez le coupe-bordures, portez toujours des gants et des vêtements de protection.

- Si la tête de coupe se bloque, arrêtez immédiatement le moteur.
- Assurez-vous que toutes les pièces en mouvement se sont arrêtées et débranchez la bougie d'allumage avant de vérifier si le matériel est endommagé.
- N'utilisez jamais un coupe-bordures dont une pièce de coupe ou de pare est écaillée, fendue ou cassée.

[#25-1]

Three inches (7.6 cm) Above Ground  
Tres pulgadas (7.6 cm) sobre el suelo  
7.6 cm (3 pouces) au-dessus du sol



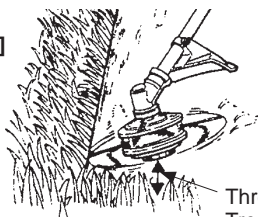
**CORRECT**  
**CORRECTO**  
**CORRECTE**

[#25-2]



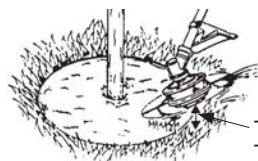
**INCORRECT**  
**INCORRECTO**  
**INCORRECTE**

[#25-3]



Three inches (7.6 cm) Above Ground  
Tres pulgadas (7.6 cm) sobre el suelo  
7.6 cm (3 pouces) au-dessus du sol

[#25-4]



Three inches (7.6 cm) Above Ground  
Tres pulgadas (7.6 cm) sobre el suelo  
7.6 cm (3 pouces) au-dessus du sol

[#25-5]



## Cutting with Trimmer Head

- The tip of the line does the cutting. The line should stay extended while cutting. [#25-1]
- Do not force the line into the material. Forcing the line will cause it to slap against the material, increasing line usage and causing poor cutting results. [#25-2]

### Trimming

Hold the bottom of the trimmer head about 3in. (7.6 cm) above the ground and at an angle. Allow only the tip of the line to make contact. [#25-3]

### Scaling

To remove unwanted vegetation, hold the trimmer head about 3in. (7.6 cm) above the ground and at an angle. Allow the tip of the line to strike the ground cutting the vegetation off at the surface. [#25-4]

### Mowing

Keep the line parallel to the ground and use a gentle side-to-side motion. [#25-5]

## Cortando con el cabeza de corte

- La punta del cable es la parte que produce el corte. El cable debe estar extendido cuando está cortando. [#25-1]
- No haga presión con el cable sobre el material a cortar. Si fuerza el cable producirá que este golpee el material, teniendo que utilizar más cable y consiguiendo peores resultados. [#25-2]

### Cortando

Mantenga la parte inferior del cabezal cortador de entre tres pulgadas (7.6cm) sobre el suelo con un cierto ángulo de inclinación. Deje que la punta del cable efectúe el corte y no otra parte. [#25-3]

### Recortando

Para cortar vegetación no deseada, mantenga el cabezal cortador de entre tres pulgadas (7.6cm) sobre el suelo y con un cierto ángulo de inclinación. Deje que la punta del cable que golpee la superficie haciendo que esta parte del cable corte la vegetación de la superficie deseada. [#25-4]

### Pega Segar

Mantenga el cable paralelo a la superficie del suelo y haga un movimiento de lado a lado sin brusquedades. [#25-5]

## Couper avec un tête de coupe

- Le coupage est fait par le fil. Le fil doit rester tendu pendant le coupage. [#25-1]
- Ne forcez pas le fil dans la matière. Forcer le fil le ferait battre contre la matière, nécessitant d'en utiliser plus et obtenant de mauvais résultats de coupage. [#25-2]

### Taille

Tenez la tête du coupe-bordures à environ 7,6 cm (3pouces) du sol, à angle droit. Ne laissez que le fil entrer en contact. [#25-3]

### Désherbage

Pour ôter les mauvaises herbes, tenez la tête du coupe-bordures à environ 7,6 cm (3 pouces) du sol et à angle droit. Laissez le bout du fil toucher le sol et couper la végétation de la surface. [#25-4]

### Tonte

Gardez le fil parallèle au sol et faites de lents mouvements latéraux. [#25-5]



## Maintenance

Maintenance, replacement or repair of emission control devices and systems may be performed by any repair establishment or individual; however, warranty repairs must be performed by a dealer or service center authorized by BAD BOY Mowers.

The use of parts that are not equivalent in performance and durability to authorized parts may impair the effectiveness of the emission control system and may have a bearing on the outcome of a warranty claim.

Maintenance on today's low-emission engines is even more critical for longest life and best performance. Particularly critical are air and fuel filters, spark plug heat range, cooling air intake area and proper gaps of coil and plug.

### Idle Speed Adjustment

This String Trimmer equipped with non-adjustable fuel mixture carburetor. The engine idle speed is the only adjustment for the operator.

#### ⚠ WARNING

- Idle speed adjustment should be checked each time the unit is operated.

## Mantenimiento

El mantenimiento, reemplazo o reparación de los dispositivos y sistemas de control de emisiones puede ser efectuado por un taller especializado o individuo; sin embargo, las reparaciones bajo la garantía deben ser efectuadas por un distribuidor o centro de servicio autorizado por BAD BOY Mowers.

El uso de las partes que no sean equivalentes en rendimiento y durabilidad a las partes autorizadas puede inhabilitar la efectividad del sistema de control de emisiones y pueden tener un efecto sobre el resultado del reclamo de la garantía.

El mantenimiento de los motores actuales de bajas emisiones es incluso más decisivo para lograr una vida útil más larga y un mejor rendimiento. Especialmente cruciales son los filtros de aire y de combustible, el valor térmico de la bujía, la zona de entrada de aire de refrigeración y los huelgos adecuados de la bobina y la bujía.

### Ajuste de la Velocidad del Ralentí

Esta recortadora está equipada con un carburador para mezcla de combustible no ajustable. La velocidad del ralentí es la única parte ajustable por el operario.

#### ⚠ ADVERTENCIA

- Ajuste de la velocidad del ralentí debe ser revisado cada vez que se utiliza la unidad.

## Entretien

L'entretien, le remplacement ou la réparation des dispositifs et des systèmes de contrôle des émissions peuvent être effectués par tout établissement de réparation ou particulier, cependant, les réparations sous garantie doivent être effectuées par un concessionnaire ou un centre d'entretien agréé par BAD BOY Mowers.

L'utilisation de pièces qui ne sont pas équivalentes en performance et durabilité aux pièces homologuées risque de compromettre l'efficacité du système de contrôle de la pollution d'avoir une incidence sur le résultat d'une réclamation sous garantie.

Entretien sur les moteurs à faible émission d'aujourd'hui est encore plus critique pour la plus longue vie et une meilleure performance. Particulièrement critique sont des filtres à air et de carburant, étincelle gamme prise de chaleur, refroidissement zone d'admission d'air et les lacunes propres de la bobine et la bougie.

### Réglage du ralenti

Ce coupe-bordures est équipé d'un carburateur de mélange de carburant non réglable. La vitesse de ralenti du moteur est le seul réglage effectué par l'utilisateur.

#### ⚠ AVERTISSEMENT

- Réglage du ralenti doit être vérifié à chaque fois que l'appareil est exploité.

#### ⚠ WARNING

##### POTENTIAL HAZARD

- Engine must be running to make carburetor adjustments.
- When engine is running, cutting head is rotating and other parts are moving.

##### WHAT CAN HAPPEN

- Contact with rotating cutting head or other moving parts could cause serious personal injury or death.

##### HOW TO AVOID THE HAZARD

- Keep hands, feet and clothing away from cutting head and other moving parts.
- Keep all bystanders and pets away from unit while making carburetor adjustments.

The cutting head may be rotating during idle speed adjustment. Wear the recommended personal protective equipment and observe all safety instructions.

Keep hands and body away from the cutting head.

#### ⚠ ADVERTENCIA

##### PELIGRO POTENCIAL

- El motor debe estar en funcionamiento para proceder a ajustes.
- Cuando el motor está en funcionamiento, las partes conectadas están en movimiento.

##### QUÉ PUEDE OCURRIR

- Un contacto directo con la herramienta suplemento o con otras partes en movimiento pueden causar una grave lesión en las personas o la muerte.

##### CÓMO EVITAR EL PELIGRO

- Mantenga manos, pies y la vestimenta alejada del la herramienta-suplemento y otras partes en movimiento.
- Mantenga a terceras personas y a animales fuera del alcance de la unidad mientras haga ajustes.

El accesorio de corte puede que esté en movimiento durante el ajuste de la velocidad del ralentí. Use el equipo de protección personal recomendado y tenga en cuenta todas las instrucciones sobre seguridad.

Mantenga manos y cuerpo fuera del alcance de la herramienta incorporada (cuchilla, etc).

#### ⚠ AVERTISSEMENT

##### DANGER POTENTIEL

- Pour effectuer les réglages du carburateur, le moteur doit être en marche.
- Lorsque le moteur est en marche, la tête rotative tourne et les autres pièces sont en mouvement.

##### CE QUI PEUT SE PASSER

- Entrer en contact avec la tête rotative ou d'autres pièces en mouvement peut causer des blessures corporelles graves ou même la mort.

##### COMMENT ÉVITER LE DANGER

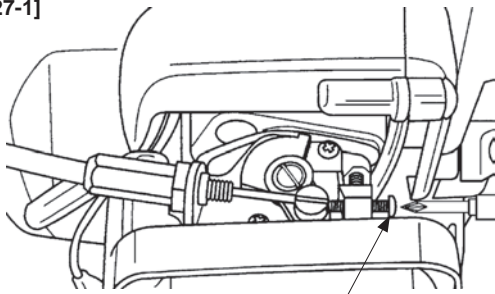
- Tenez toujours les mains, les pieds et les vêtements loin de la tête rotative et des autres pièces mobiles.
- Lorsque vous effectuez des réglages du carburateur, éloignez les spectateurs et les animaux de la machine.

La tête rotative peut tourner au cours du réglage du réglage du ralenti.

Veillez porter l'équipement de protection individuelle recommandé et suivre toutes les instructions de sécurité.

Gardez vos mains et votre corps loin de la tête rotative.

[#27-1]



Idle Speed Adjustment Screw  
Tornillo de ajuste de la velocidad del ralentí  
Vis de réglage de vitesse de ralentí

When the throttle trigger is released, the engine should return to an idle speed between 2700-3300 RPM, or just below the clutch engagement speed. The cutting head must not rotate/move and the engine should not stall (stop running) at engine idle speed.

To adjust the engine idle speed, rotate the idle speed adjustment screw on the carburetor. [#27-1]

- Turn the idle speed screw in (clockwise) to increase the engine idle speed.
- Turn the screw out (counter-clockwise) to decrease the engine idle speed.

**If idle speed adjustment is necessary, and after adjustment the cutting head rotates or the engine stalls, stop using the String Trimmer immediately!**

Contact your local authorized BAD BOY Dealer for assistance and servicing.

Cuando el gatillo del acelerador no está siendo presionado, el motor deberá volver a la velocidad de ralentí. La velocidad correcta del ralentí es de 2700-3300 RPM (o justo por debajo de la velocidad del embrague). La herramienta conectada no tienen que estar en movimiento y el motor no debe calarse (pararse) a la velocidad de ralentí.

Para ajustar la velocidad del ralentí, gire el tornillo de ajuste del ralentí localizado sobre el carburador. [#27-1]

- Gire el tornillo de ajuste del ralentí (hacia la derecha) para incrementar la velocidad del ralentí del motor.
- Gire el tornillo de ajuste del ralentí (hacia la izquierda) para disminuir la velocidad del ralentí del motor.

**Si el ajuste de la velocidad del ralentí es necesario, y si después de su ajuste la herramienta cortadora incorporada a la unidad gira o el motor se cala, ¡pare la recortadora inmediatamente!**

Póngase en contacto con el concesionario autorizado por BAD BOY para que le asista.

Lorsque la gâchette d'accélérateur est libérée, le moteur doit revenir à une vitesse de ralentí comprise entre 2700 - 3300 min<sup>-1</sup> ou juste en-dessous de la vitesse d'engagement de l'embrayage.

Quand le moteur est au ralentí, la tête rotative ne doit pas tourner et le moteur ne doit pas caler (doit s'arrêter de marcher).

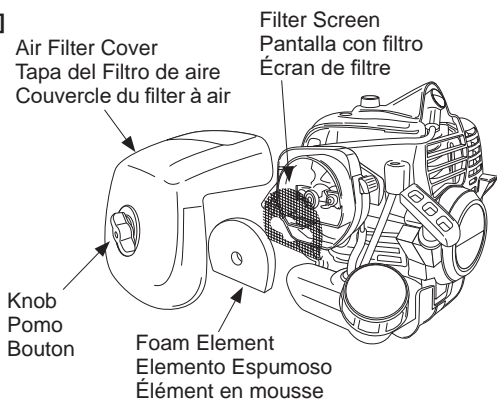
Pour régler le ralentí du moteur, faire tourner la vis de réglage du ralentí sur le carburateur. [#27-1]

- Tournez la vis de ralentí vers l'intérieur (dans le sens des aiguilles d'une montre) pour augmenter la vitesse de ralentí du moteur.
- Tournez la vis vers l'extérieur (dans le sens contraire des aiguilles d'une montre) pour diminuer la vitesse de ralentí du moteur.

**Si un réglage du ralentí est nécessaire, et si après le réglage, la tête rotative tourne toujours ou si le moteur cale, arrêtez immédiatement d'utiliser le coupe-bordures !.**

Contactez votre concessionnaire agréé BAD BOY local pour assistance et entretien.

[#27-2]



Air Filter Cover  
Tapa del Filtro de aire  
Couvercle du filtre à air

Filter Screen  
Pantalla con filtro  
Écran de filtre

Knob  
Pomo  
Bouton

Foam Element  
Elemento Espumoso  
Élément en mousse

## Air Filter

### Maintenance Interval

- The air filter should be cleaned **daily**, or more often when working in extremely dusty conditions.
- Replace after every 100 hours of operation.

### Air Filter Cleaning [#27-2]

1. Loosen the knob and remove the air filter cover.
2. Remove the foam element and filter screen from the air filter body.
3. Clean the foam element and filter screen with warm, soapy water. Let the screen and element dry completely.
4. Apply a light coat of motor oil (SAE 30 or equivalent viscosity) to the foam element and squeeze out all excess oil.
5. Reassemble the filter screen and foam element to the air filter body.
6. Reinstall the air filter cover and tighten the knob.

## Filtro de Aire

### Periodos en los que es Necesario Verificar

- El filtro del aire debe ser limpiado **diariamente**, o más a menudo cuando se trabaja en un entorno en donde haya mucho polvo.
- Repóngalo cada 100 horas de trabajo.

### Limpieza del Filtro del Aire [#27-2]

1. Suelte el pomo y quite la tapa del filtro de aire.
2. Quite el elemento de material espumoso y la pantalla con filtro.
3. Limpie el elemento de material espumoso y la pantalla con filtro con agua templada ligeramente enjabonada. Dejelo secar completamente.
4. Aplique una ligera capa de aceite de motor (SAE 30 o equivalente viscosidad ) al elemento espumoso y quite el exceso de aceite haciendo presión sobre el mismo.
5. Vuelva a montar el elemento espumoso y la pantalla con filtro.
6. Vuelva a instalar la tapa del filtro de aire y apriete el pomo.

## Filtre à air

### Intervalle d'entretien

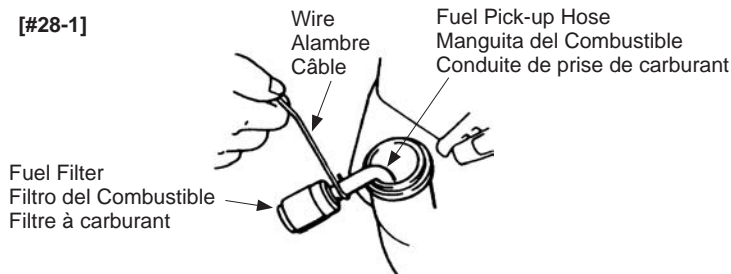
- Le filtre à air doit être nettoyé **tous les jours** plus souvent en cas de travail dans des conditions extrêmement poussiéreuses.
- Remplacez-le après 100 heures d'utilisation.

### Nettoyage du filtre à air [#27-2]

1. Desserrez le bouton et retirez le couvercle du filtre à air.
2. Otez l'élément en mousse et l'écran de filtre.
3. Nettoyez l'élément en mousse et l'écran de filtre avec de l'eau chaude savonneuse. Laissez-le sécher complètement.
4. Appliquez une couche légère d'huile de moteur SAE 30 sur l'élément en mousse et pressez celui-ci pour en ôter tout l'excès d'huile.
5. Réassemblez l'élément en mousse et l'écran de filtre.
6. Remettez le couvercle du filtre à air et serrez le bouton.



[#28-1]



## Fuel Filter

### Maintenance Interval

- The fuel filter should be replaced after every 100 hours of operation.
- Fuel filters needing more frequent replacement may indicate debris in fuel tank.

### Fuel Filter Replacement [#28-1]

The fuel filter is attached to the end of the fuel pick-up hose inside the fuel tank. To replace the fuel filter:

1. Make sure the fuel tank is empty.
2. Remove the fuel cap.
3. Using a wire hook, gently pull the fuel filter out through the fuel filler opening. Use caution not to "fishhook" the fuel hose. Replace immediately if punctured!
4. Grasp the fuel hose next to the fuel filter fitting and remove the filter, but do not release the hose.
5. While still holding on to the fuel hose, attach the new fuel filter.
6. Drop the new fuel filter back into the fuel tank.
7. Make sure that the fuel filter is not stuck in a corner of the tank, and that the fuel hose is not doubled over (kinked) before refueling.

## Filtro de Combustible

### Periodos en los que es Necesario Verificar

- El filtro del combustible debe ser cambiado cada 100 horas de trabajo.
- Filtros de combustible que necesitan una sustitución más frecuente puede indicar los residuos en el depósito de combustible.

### Cambio del Filtro de Combustible [#28-1]

El filtro del combustible está fijado en el extremo de la manguita para el combustible, dentro del depósito. Para cambiar el filtro del combustible:

1. Asegúrese que el depósito de combustible está vacío.
2. Quitar la tapa del depósito de combustible.
3. Usando un gancho de alambre, saque cuidadosamente el filtro del combustible a través de la boca del depósito. Tenga cuidado de no dañar el tubo de combustible. Cámbielo inmediatamente si está pinchado.
4. Agarre la manguita del combustible que esta cerca del filtro de combustible y quite el filtro del combustible, pero no suelte la manguita.
5. Mientras tiene la manguita con la mano, reponga el nuevo filtro.
6. Ponga el nuevo filtro en la posición original dentro del depósito.
7. Asegúrese de que el filtro no está atascado en la esquina del depósito, y de que la manguita del combustible no esta doblada antes de rellenar el depósito de combustible.

## Filtre à carburant

### Intervalle d'entretien

- Le filtre à carburant doit être remplacé après 100 heures d'utilisation.
- Les filtres à carburant nécessitant un remplacement plus fréquent peut indiquer les débris dans le réservoir de carburant.

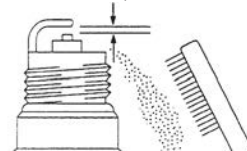
### Remplacement du filtre à carburant [#28-1]

Le filtre à carburant est fixé à l'extrémité de la conduite de prise de carburant dans le réservoir de carburant. Pour remplacer le filtre à carburant:

1. Assurez-vous que le réservoir de carburant est vide.
2. Retirez le bouchon de carburant.
3. À l'aide d'un fil de fer croché, retirez avec précaution le filtre à carburant par son ouverture. Faites attention de ne pas "hameçon" le conduit de prise de carburant. Remplacer immédiatement en cas de perforation!
4. Saisissez la conduite de carburant à côté du raccord du filtre à carburant et retirez le filtre, sans relâcher la conduite.
5. Tout en tenant la conduite de carburant, fixez le filtre à carburant neuf.
6. Remettez en place le filtre à carburant dans le réservoir de carburant.
7. Assurez-vous que le filtre à carburant n'est pas coincé dans un coin du réservoir et que la conduite de carburant n'est pas vrillée avant de remplir le réservoir.

[#28-2]

.024" - .028" (0.6 - 0.7mm)  
 .024" - .028en (0.6 - 0.7mm)  
 0.6 - 0.7 mm (0.024 - 0.028po.)



## Spark Plug

### Maintenance Interval

- The spark plug should be removed from the engine and checked after each 25 hours of operation.
- Replace the spark plug after every 100 hours of operation.

### Spark Plug Maintenance [#28-2]

1. Twist the high tension lead boot on the spark plug back and forth a couple of times to loosen the boot, then pull the boot off of the spark plug.
2. Remove the spark plug.
3. Clean the electrodes with a stiff brush.
4. Adjust the electrode air gap to .024-.028 in. (0.6-0.7 mm).
5. Replace the spark plug if it is oil-fouled, damaged, or if the electrodes are worn down.
6. Do not overtighten the spark plug when installing. The tightening torque is 95-148 in-lbs. (10.7-16.6 N·m).
7. Always use only the specific heat range of spark plug. This is particularly critical with today's low-emission engines. For best results, use the exact replacement.

## Bujía

### Periodos en los que es Necesario Verificar

- La bujía debe ser desmontada del motor y debe ser verificada cada 25 horas de trabajo.
- Cambie la bujía cada 100 horas de trabajo.

### Mantenimiento de la Bujía [#28-2]

1. Mueva la pipa de alta tensión de la bujía de atrás adelante una cuantas veces para que está se aligere y saquela fuera de la bujía.
2. Quite la bujía.
3. Limpie los electrodos con un cepillo duro.
4. Ajuste la distancia del electrodo de tal manera que quede de entre .024-.028 en. (0.6 - 0.7 mm) de distancia.
5. Cambie la bujía si está sobre engrasada, dañada o si los electrodos están desgastados.
6. No apriete demasiado la bujía cuando la monte sobre el motor. La fuerza de torque es de 95-148 en-lbs. (10.7 - 16.6 N·m).
7. Use siempre sólo el rango de calor específico de bujía. Esto es particularmente crítico con baja emisión de hoy motores. Para obtener los mejores resultados, utilice el exacto reemplazo.

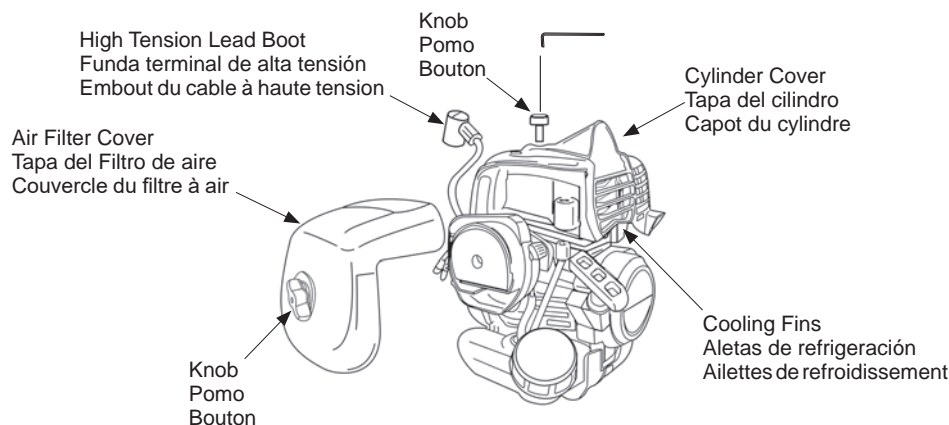
## Bougie

### Intervalle d'entretien

- La bougie doit être retirée du moteur et vérifiée toutes les 25 heures d'utilisation.
- Remplacez la bougie toutes les 100 heures d'utilisation.

### Entretien de la bougie [#28-2]

1. Le moteur étant à température ambiante, tournez le capuchon du conducteur haute tension de la bougie plusieurs fois d'avant en arrière pour le desserrer, retirez-le ensuite de la bougie.
2. Retirez la bougie.
3. Une fois la bougie retirée, les électrodes peuvent être nettoyées avec une brosse dure.
4. Réglez l'écartement des électrodes entre 0,6 - 0,7mm (0,024-0,028 po.).
5. Remplacez la bougie si elle est salie d'huile, endommagée ou si les électrodes sont usées.
6. Ne serrez pas trop la bougie en la posant. Le couple de serrage est de 10,7-16,6 N.m (95- 148 po.lbs.).
7. Toujours utiliser la gamme de chaleur spécifique de la bougie. Ceci est particulièrement critique à faible émission d'aujourd'hui moteurs. Pour de meilleurs résultats, utilisez la exacte remplacement.



## Cylinder Cooling Fins

### Maintenance Interval

- The cylinder cooling fins should be cleaned after every 25 hours of operation, or once a week, whichever comes first.
- Air must flow freely around and through the cylinder cooling fins to prevent engine overheating. Leaves, grass, dirt and debris buildup on the fins will increase the operating temperature of the engine, which can reduce engine performance and shorten engine life.

### Cooling Fin Cleaning

1. With the engine at ambient (room) temperature, loosen the knob and remove the air filter cover.
2. Twist the high tension lead boot on the spark plug back and forth a couple of times to loosen the boot, then pull the boot off of the spark plug.
3. Loosen the knob and lift off the cylinder cover.
4. Clean all dirt and debris from the cooling fins and from around the cylinder base.
5. Do not overlook cleaning of the cooling air intake area below the crankcase and above the fuel tank! This area must be free of debris and obstruction for the engine to cool properly.
6. Reinstall the cylinder cover and the air filter cover.

## Aletas del cilindro de refrigeración

### Intervalo de mantenimiento

- Las aletas del cilindro de refrigeración deben limpiarse cada 25 horas de funcionamiento o una vez a la semana, lo que se produzca primero.
- El aire debe fluir libremente alrededor y a través de las aletas del cilindro de refrigeración para evitar que el motor se recaliente. La acumulación de hojas, césped, suciedad y desechos en las aletas aumentará la temperatura de funcionamiento del motor, lo que puede reducir el rendimiento del motor y acortar la vida del motor.

### Limpeza de las aletas de refrigeración

1. Con el motor a la temperatura ambiente (de la sala), suelte el pomo y remueva la tapa del filtro de aire.
2. Tuerza la funda terminal de alta tensión sobre la bujía hacia la frente y atrás un par de veces para aflojar la funda y entonces sacarla de la bujía.
3. Afloje el pomo y levante la tapa del cilindro.
4. Limpie toda la suciedad de las aletas refrigeradoras y de la base del cilindro.
5. No descuide la limpieza de la zona de entrada del aire de refrigeración situada debajo del cárter del cigüeñal y sobre el depósito de combustible. Para que el motor funcione correctamente, esta zona debe estar libre de residuos y obstrucciones.
6. Reinstale la tapa del cilindro y las tapa del filtro de aire.

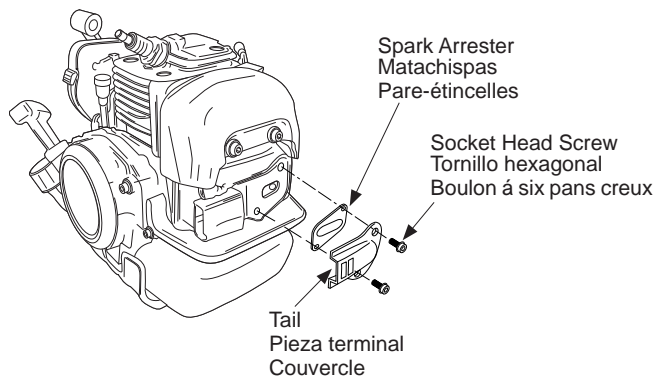
## Ailettes de refroidissement du cylindre

### Intervalle d'entretien

- Les ailettes de refroidissement doivent être nettoyées toutes les 25 heures de fonctionnement ou une fois par semaine, à la première des échéances.
- L'air doit s'écouler librement dans et autour des ailettes de refroidissement afin d'éviter une surchauffe du moteur. L'accumulation de feuilles, d'herbe, de poussière et de débris sur les ailettes augmente la température de fonctionnement du moteur, ce qui en réduit les performances et la durée de vie.

### Nettoyage des ailettes de refroidissement du cylindre

1. Lorsque le moteur est à température ambiante, desserrez le bouton et ôtez le couvercle de filtre à air.
2. Tournez l'embout du câble à haute tension attaché à la bougie de gauche à droite à plusieurs reprises, pour le décoincer et détachez l'embout de la bougie.
3. Desserrez le bouton et levez le capot du cylindre.
4. Nettoyez toute la poussière et tous les débris des ailettes de refroidissement et autour de la base du cylindre.
5. Ne négligez pas le nettoyage de l'air de refroidissement zone apport en dessous du carter et au-dessus du réservoir de carburant! Cette zone doit être libre de débris et de obstruction pour le moteur refroidir correctement.
6. Réinstallez les capot du cylindre et couvercle du filtre à air.



## Spark Arrester

### ⚠ WARNING

#### POTENTIAL HAZARD

- Muffler surface becomes hot when String Trimmer is in operation and remains hot for some time after the engine is shut off.

#### WHAT CAN HAPPEN

- Contact with hot muffler surfaces could cause a burn.

#### HOW TO AVOID THE HAZARD

- Make sure the muffler is cool before inspecting and cleaning the spark arrester.

### Maintenance Interval

- The spark arrester should be inspected and cleaned after every 25 hours of use.
- Replace the screen if it cannot be thoroughly cleaned, or if it is damaged.

## Spark Arrester Maintenance

1. With the engine at ambient (room) temperature, loosen the knob and remove the air filter cover.
2. Twist the high tension lead boot on the spark plug back and forth a couple of times to loosen the boot, then pull the boot off of the spark plug.
3. Loosen the knob and lift off the cylinder cover.
4. Remove and clean the tail, gasket and spark arrester with a safety solvent and a stiff brush. If any part cannot be thoroughly cleaned, it must be replaced.
5. Reinstall the spark arrester and tail onto the muffler, then reinstall and tighten the two socket head screws.
6. Reinstall the cylinder cover and the air filter cover.

## Matachispas

### ⚠ ADVERTENCIA

#### PELIGRO POTENCIAL

- La superficie del silenciador se calienta cuando la recortadora está en operación y permanece caliente por algún tiempo después que el motor se ha apagado.

#### QUÉ PUEDE OCURRIR

- El contacto con la superficie del silenciador caliente podría causar una quemadura.

#### CÓMO EVITAR EL PELIGRO

- Asegúrese que el silenciador esté frío antes de inspeccionar y limpiar la protección contra chispas.

### Intervalo de mantenimiento

- Debería examinar y limpiar el matachispas después de cada 25 horas de uso.
- Cambie el filtro si no puede limpiarlo a fondo o si está dañado.

## Mantenimiento del matachispas

1. Con el motor a la temperatura ambiente (de la sala), suelte el pomo y remueva la tapa del filtro de aire.
2. Tuerza la funda terminal de alta tensión sobre la bujía hacia la frente y atrás un par de veces para aflojar la funda y entonces sacarla de la bujía.
3. Afloje el pomo y levante la tapa del cilindro.
4. Retire y limpie la pieza terminal, la junta y el matachispas con un disolvente de seguridad y un cepillo duro. En caso de no poder limpiar por completo alguna pieza, debe cambiarla.
5. Vuelva a instalar el matachispas y la pieza terminal en el silenciador, a continuación coloque y apriete los dos tornillos hexagonales.
6. Reinstale la tapa del cilindro y las tapa del filtro de aire.

## Pare-étincelles

### ⚠ AVERTISSEMENT

#### DANGER POTENTIEL

- La surface du silencieux devient chaude quand le coupe-bordures fonctionne et elle reste chaude pendant encore quelques temps après que le moteur est arrêté.

#### CE QUI PEUT SE PASSER

- Entrer en contact avec les surfaces chaudes d'un silencieux peut causer des brûlures.

#### COMMENT ÉVITER LE DANGER

- Assurez-vous que le silencieux est refroidi avant de vérifier et de nettoyer le pare-étincelles.

### Intervalle d'entretien

- Le pare-étincelles doit être vérifié et nettoyé après 25 heures d'utilisation.
- Remplacez le tamis s'il ne peut être totalement nettoyé ou s'il est endommagé.

## Entretien du pare-étincelles

1. Lorsque le moteur est à température ambiante, desserrez le bouton et ôtez le couvercle de filtre à air.
2. Tournez l'embout du câble à haute tension attaché à la bougie de gauche à droite à plusieurs reprises, pour le décoincer et détachez l'embout de la bougie.
3. Desserrez le bouton et levez le capot du cylindre.
4. Ôtez le couvercle, le joint et le pare-étincelles et nettoyez-les avec une brosse dure et un solvant de nettoyage. Remplacez les pièces qui ne peuvent plus être nettoyées.
5. Réinstallez le pare-étincelles et le couvercle sur le silencieux, et vissez et serrez les deux boulons à six pans creux.
6. Réinstallez les capot du cylindre et couvercle du filtre à air.

## Exhaust Muffler

### Maintenance Interval

The muffler should be inspected and cleaned after each 100 hours of use.

### Muffler Maintenance

1. With the engine at ambient (room) temperature, loosen the knob and remove the air filter cover.
2. Twist the high tension lead boot on the spark plug back and forth a couple of times to loosen the boot, then pull the boot off of the spark plug.
3. Loosen the knob and lift off the cylinder cover.
4. Remove the spark arrester (see spark arrester maintenance), Clean the muffler with a stiff brush.

**IMPORTANT: Don't use solvent for cleaning inside of muffler, because of the catalytic converter in muffler.**

**Be careful not to allow any dirt or debris to fall into the exhaust port, as this can cause engine damage.**

5. Reinstall the spark arrester and tail onto muffler, then reinstall and tighten the two socket head screws.
6. Reinstall the cylinder cover and the air filter cover.

## Silenciador de escape

### Intervalo de mantenimiento

El silenciador debe ser inspeccionado y limpiado después de 100 horas de uso.

### Mantenimiento del silenciador

1. Con el motor a la temperatura ambiente (de la sala), suelte el pomo y remueva la tapa del filtro de aire.
2. Tuerza la funda terminal de alta tensión sobre la bujía hacia la frente y atrás un par de veces para aflojar la funda y entonces sacarla de la bujía.
3. Afloje el pomo y levante la tapa del cilindro.
4. Remueva la matachispas (refiérase al mantenimiento de la matachispas). Limpie el silenciador con un cepillo duro.

**IMPORTANTE: No usar solvente para la limpieza interna del silenciador, ya que el conversor catalítico está dentro del silenciador.**

**Tomar cuidado para no dejar que suciedad o residuos caigan dentro del conducto de escape, puesto que esto puede causar daños al motor.**

5. Reinstale la trampa de chispas y la cola en el silenciador y entonces reinstale y ajuste los dos tornillos de cabeza hueca.
6. Reinstale el tape del cilindro y las tapa del filtro de aire.

## Silencieux d'échappement

### Intervalle d'entretien

Le silencieux doit être vérifié et nettoyé toutes les 100 heures d'utilisation.

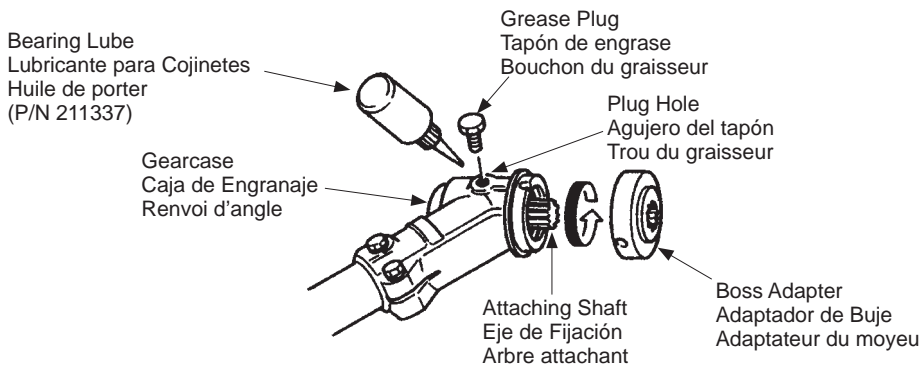
### Entretien du silencieux

1. Lorsque le moteur est à température ambiante, desserrez le bouton et ôtez le couvercle de filtre à air.
2. Tournez l'embout du câble à haute tension attaché à la bougie de gauche à droite à plusieurs reprises, pour le décoincer et détachez l'embout de la bougie.
3. Desserrez le bouton et levez le capot du cylindre.
4. Ôtez le pare-étincelles (voir Entretien du pare-étincelles), et nettoyez le silencieux avec une brosse dure.

**IMPORTANT: Ne jamais utiliser un solvant pour le nettoyage de l'intérieur du silencieux, afin de ne pas abimer le pot catalytique dans le silencieux. Faites attention à ne pas laisser rentrer de débris ou de la poussière dans la lumière d'échappement. Cela pourrait abimer le moteur.**

5. Réinstallez le pare-étincelles et le couvercle sur le silencieux, et vissez et serrez les deux boulons à six pans creux.
6. Réinstallez les capots du cylindre et couvercle du filtre à air.





## Gearcase

### Maintenance Interval

The gearcase should be checked for lubrication after each 30 hours of use.

### Gearcase Lubrication

Remove the cutting attachment and the boss adapter.

Clean any dirt and debris from the area between the boss adapter and the gearcase. Remove the grease plug from the side of the gearcase.

While rotating the attaching shaft, inject lithium-base bearing lube (P/N 211337) through the plug hole until the gearcase is full. Reinstall the boss adapter and grease plug.

## General Cleaning and Tightening

### ⚠ WARNING

#### POTENTIAL HAZARD

- When engine is running, cutting head is rotating and other parts are moving.

#### WHAT CAN HAPPEN

- Contact with rotating cutting head or other moving parts could cause serious personal injury or death.

#### HOW TO AVOID THE HAZARD

- Always turn off your String Trimmer before you clean or perform any maintenance on it.

The BAD BOY String Trimmer will provide maximum performance for many, many hours if it is maintained properly. Good maintenance includes regular checking of all fasteners for correct tightness, and cleaning the entire machine.

## Caja de Engranaje

### Periodos en los que es Necesario Verificar

La caja del engranajes debe ser verificada cada 30 horas de trabajo para proceder a su lubricación.

### Lubricación de la Caja de Engranajes

Desmonte la pieza cortante y el adaptador de buje. Limpie cualquier suciedad u objeto indeseado de la área que hay entre el adaptador de buje y la caja de engranajes. Suelte el tapón del engrasado localizado a un lado de la caja de engranajes. Mientras gira el eje de fijación, inyecte lubricante de base de litium para cojinetes (P/N 211337) a través del agujero de engrase hasta que la caja de engranje esté llena. Vuelva a colocar el adaptador de buje y el tapón de engrase.

## El general limpiando y apretándose

### ⚠ ADVERTENCIA

#### PELIGRO POTENCIAL

- Cuando el motor está en funcionamiento, las herramienta cortadora y otras partes están en movimiento.

#### QUÉ PUEDE OCURRIR

- Un contacto con las pieza ajustada al rotor u otras partes de la unidad pueden causar serias lesiones en las personas o la muerte.

#### CÓMO EVITAR EL PELIGRO

- Pare siempre el motor de la recortadora de proceder a su limpieza o cualquier tipo de mantenimiento en la unidad.

La recortadora de BAD BOY ofrece un máximo rendimiento durante muchas, muchas horas si se aplica un trabajo de mantenimiento adecuado. Un correcto trabajo de mantenimiento incluye una verificación regular de que todas las piezas están ajustadas correctamente, así como la limpieza de la maquina en su conjunto.

## Renvoi d'angle

### Intervalle d'entretien

Le renvoi d'angle doit être vérifié pour lubrification, après 30 heures d'utilisation.

### Lubrification du renvoi d'angle

Retirez le dispositif de coupe et l'adaptateur du moyeu. Nettoyez toute la terre et les débris de la zone entre l'adaptateur du moyeu et le renvoi d'angle. Retirez le bouchon du graisseur sur le côté du renvoi d'angle. Tout en faisant tourner arbre attachant d'assemblage, injectez de l'huile de porter à base de lithium (P/N 211337) dans le trou du graisseur jusqu'à ce que le renvoi d'angle soit rempli. Réinstallez l'adaptateur du moyeu et le bouchon du graisseur.

## Nettoyage et serrage normaux

### ⚠ AVERTISSEMENT

#### DANGER POTENTIEL

- Quand le moteur tourne, le dispositif de coupe tourne et les autres pièces sont en mouvement.

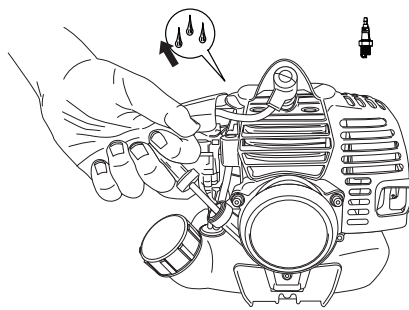
#### CE QUI PEUT SE PASSER

- Entrer en contact avec la tête rotative ou une autre pièce en mouvement peut causer une blessure personnelle grave ou même la mort.

#### COMMENT ÉVITER LE DANGER

- Éteignez toujours votre coupe-bordures avant de le nettoyer ou de faire des opérations d'entretien.

Le coupe-bordures BAD BOY fournira une performance maximum pour de nombreuses heures s'il est correctement entretenu. Un bon entretien comprend la vérification régulière du bon serrage de toutes les pièces de fixation et le nettoyage de la machine entière.



## Storage

### ⚠ CAUTION

#### POTENTIAL HAZARD

- Oil may squirt out of the spark plug opening when you pull the starter grip.

#### WHAT CAN HAPPEN

- Oil can cause eye injuries.

#### HOW TO AVOID THE HAZARD

- Protect your eyes and keep your face away from the spark plug opening.

For long term storage of the String Trimmer:

1. Empty the fuel tank into a suitable fuel storage container.
2. Pump the primer bulb on the carburetor until all fuel is discharged through the clear fuel return hose.
3. Run the engine to remove any fuel that may remain in the carburetor.
4. Perform all regular maintenance procedures and any needed repairs.
5. Remove the spark plug and squirt a very small amount of oil into the cylinder.
6. Pull the starter grip once.
7. Slowly pull the starter grip to bring the piston to the top of the cylinder (TDC).
8. Reinstall the spark plug.
9. Store the String Trimmer in a dry place away from excessive heat, sparks or open flame.

## Almacenaje

### ⚠ CUIDADO

#### PELIGRO POTENCIAL

- Puede que una cantidad de aceite le salpique desde la apertura de la bujía cuando intente tirar de la empuñadura del arranque.

#### QUÉ PUEDE OCURRIR

- El aceite puede producir lesiones oculares.

#### CÓMO EVITAR EL PELIGRO

- Proteja sus ojos y mantenga su cara alejada de la apertura de la bujía.

Para proceder a almacenar la recortadora durante un largo periodo de tiempo:

1. Vacíe el depósito del combustible y vierta el contenido en un contenedor para su adecuado almacenaje.
2. Bombee la pera de cebado en el carburador hasta que todo combustible se descarga a través del tubo de retorno del combustible.
3. Ponga en funcionamiento el motor para vaciar totalmente el combustible que pueda haber en el carburador.
4. Proceda a efectuar todas las labores de mantenimiento regulares y a la reparación de cualquiera de sus partes que necesiten dicha reparación.
5. Desmonte la bujía y vierta una pequeñísima cantidad de aceite de motor en el cilindro.
6. Tire de la empuñadura de arranque una vez.
7. Tire de la empuñadura de arranque despacio para que el pistón se posicione en el borde superior del cilindro (TDC).
8. Vuelva a colocar la bujía.
9. Almacene la recortadora en lugar seco y lejos de toda fuente de calor, llamas o fuego.

## Remisage

### ⚠ ATTENTION

#### DANGER POTENTIEL

- Lorsque vous tirez sur la poignée du démarreur, de l'huile peut gicler sur l'orifice de bougie.

#### CE QUI PEUT SE PASSER

- L'huile peut causer une blessure aux yeux.

#### COMMENT ÉVITER LE DANGER

- Protégez vos yeux et n'approchez pas votre visage de l'orifice de bougie.

Pour un remisage à long terme du coupe-bordures:

1. Videz le réservoir de carburant dans un bidon de stockage de carburant adapté.
2. Pompez la poire d'amorçage sur le carburateur jusqu'à ce que le carburant soit chassée dans la conduite de retour de carburant.
3. Faites tourner le moteur pour retirer le carburant restant dans le carburateur.
4. Effectuez toutes les procédures d'entretien régulier et toutes les réparations nécessaires.
5. Retirez la bougie et appliquez une petite quantité d'huile dans le cylindre.
6. Tirez une fois sur la corde du démarreur.
7. Tirez lentement la poignée du démarreur pour amener le piston en haut du cylindre.
8. Remplacez la bougie.
9. Remisez le coupe-bordures dans un endroit sec, à l'abri de la chaleur excessive, des étincelles ou d'une flamme nue.

# Troubleshooting

## Problemas

## Dèpannag

ENGLISH

ESPAÑOL

FRANÇAIS

Problem Problema Problème	Cause Causa Cause	Action Qué se debe hacer Mesure correctrice
<p>Engine will not start</p> <p>El motor no arranca</p> <p>Ne moteur ne démarre pas</p>	<ul style="list-style-type: none"> <li>• Empty fuel tank</li> <li>• Primer bulb wasn't pushed enough</li> <li>• Engine flooded</li> <li>• Depósito de combustible vacío</li> <li>• Cebador no fue empujado bastante</li> <li>• El motor está inundado</li> <li>• Le réservoir de carburant est vide</li> <li>• La poire d'amorçage n'a pas été pressée suffisamment</li> <li>• Le moteur est noyé</li> </ul>	<ul style="list-style-type: none"> <li>• Fill fuel tank</li> <li>• Press primer bulb until fuel flows through fuel return hose</li> <li>• Use warm engine starting procedure</li> <li>• Llène el depósito</li> <li>• Presione cebador hasta flujos de combustible por tubo de retorno del combustible</li> <li>• Siga el procedimiento de arranque de motor en caliente</li> <li>• Remplissez le réservoir de carburant</li> <li>• Pressez la poire d'amorçage jusqu'à ce que le carburant s'écoule dans la conduite de retour de carburant</li> <li>• Reportez-vous à la procédure de démarrage à chaud</li> </ul>
<p>Engine will not Idle</p> <p>Problema de ralentí</p> <p>Le moteur ne fonctionne pas au ralentí</p>	<ul style="list-style-type: none"> <li>• Idle speed set incorrectly</li> <li>• La velocidad del ralentí es incorrecta</li> <li>• La vitesse du ralenti n'a pas été correctement réglée</li> </ul>	<ul style="list-style-type: none"> <li>• Set idle speed</li> <li>• Vuelva a ajustar el ralentí</li> <li>• Réglez la vitesse du ralenti</li> </ul>
<p>Engine lacks power or stalls when cutting</p> <p>Al motor le falta fuerza, se ahoga/cala cuando corta</p> <p>Le moteur manque de puissance ou cale lors de coupe</p>	<ul style="list-style-type: none"> <li>• Throttle wire has come loose</li> <li>• Dirty air filter</li> <li>• Clogged spark arrester or exhaust port</li> <li>• El cable del acelerador no está tensado</li> <li>• El filtro de aire está sucio</li> <li>• Protector contra chispas u orificio de escape tapados</li> <li>• Le câble de la manette des gaz est desserré</li> <li>• Le filtre à air est sale</li> <li>• Le pare-étincelles est bouché ou L'orifice d'échappement</li> </ul>	<ul style="list-style-type: none"> <li>• Tighten throttle wire</li> <li>• Clean or replace air filter</li> <li>• Clean spark arrester or exhaust port</li> <li>• Tense el cable del acelerador</li> <li>• Limpie el filtro de aire o cámbielo</li> <li>• Limpie el protector contra chispas u orificio de escape</li> <li>• Serrez le câble de la manette des gaz</li> <li>• Nettoyez ou remplacez le filtre à air</li> <li>• Nettoyez le pare-étincelles ou l'orifice d'échappement</li> </ul>

If further assistance is required, contact your local authorized BAD BOY dealer.

Si necesita mayor ayuda póngase en contacto con el concesionario autorizado por BAD BOY.

Pour toute assistance, veuillez contacter votre concessionnaire agréé BAD BOY local.



# Maintenance Period

## Período de mantenimiento

### Période d'entretien

	Maintenance Mantenimiento Entretien	Daily Diario Quotidien	Every 25 hours Cada 25 horas Toutes les 25 heures	Every 50 hours Cada 50 horas Toutes les 50 heures	Every 100 hours Cada 100 horas Toutes les 100 heures
	Check and replenish fuel Verificación y relleno de combustible Vérifiez et ajoutez de l'essence	●			
	Check for fuel leakage Verificación por filtración de combustible Vérifiez qu'il n'y a pas de fuite de carburant	●			
	Check bolts, nuts and screws for tightness or missing/ Verificación de los pernos, tuercas y tornillos por apriete o falta/ Vérifiez que les boulons, écrous et vis sont tous serrés et qu'il n'en manque aucun	●			
	Check engine idle speed adjustment Comprobar el ajuste de ralentí del motor Vérifiez le réglage de la vitesse de ralenti du moteur	●			
■	Clean air filter element Limpie el elemento de filtro de aire Nettoyez le filtre à air	●			
	Clean spark plug and adjust electrode gap Limpie la bujía y ajuste la luz del electrodo Nettoyez le pare-étincelles et réglez l'écartement des électrodes		●		
■	Remove dust and dirt from cylinder fins Remueva el polvo y la suciedad de las aletas del cilindro Retirer la poussière et la saleté des ailettes d'échappement		●		
●	Clean spark arrester Limpie el matahispa Nettoyez le pare-étincelles		●		
	Tighten bolts and nuts Apriete de los pernos y tuercas Serrez les boulons et les écrous			●	
●	Remove carbon deposits in exhaust port Remueva los depósitos de carbón en el orificio de escape Retirer les résidus de carbone de l'orifice d'échappement			●	
	Replace fuel filter Reemplace el filtro de combustible Remplace le filtre à carburant				●
●	Remove carbon deposits on piston head and combustion chamber/ Remueva los depósitos de carbón en la culata y la cámara de combustión/ Retirer les résidus de carbone de la tête du piston et de la chambre de combustion				●
●	Remove carbon deposits in transfer port Remueva los depósitos de carbón en los orificios de transferencia Retirer les résidus de carbone des orifices de transfert				●
	Replace fuel tube, fuel tank cap gasket/ Reemplace el tubo de combustible, la empaquetadura de la tapa del depósito de combustible/ Remplace le tube de carburant et le joint torique du bouchon du réservoir de carburant	It is recommended to replace every 3 years Se recomienda reemplazar cada 3 años C'est recommandé pour remplacer chaque 3 années			

●: Service to be performed by an authorized BAD BOY dealer.

■: Service more frequently under dusty conditions.

#### NOTE:

The service intervals indicated are to be used as a guide.

Service to be performed more frequently as necessary depending on operating condition.

Use BAD BOY standard 50:1 two-stroke engine oil.

●: El servicio debe ser efectuado por un distribuidor de BAD BOY autorizado.

■: Efectúe el servicio más frecuentemente bajo condiciones polvorientas.

#### NOTA:

Los intervalos de servicio indicados deben ser usados como guía.

El servicio debe ser efectuado de manera más frecuente en la medida de lo necesario, dependiendo de la condición de operación.

Use aceite de motor de dos tiempos, 50:1 BAD BOY estándar.

●: L'entretien doit être réalisé par un concessionnaire agréé BAD BOY.

■: Effectuez l'entretien plus souvent lors de conditions de fonctionnement poussiéreuses.

#### REMARQUE:

Les intervalles d'entretien indiqués doivent être utilisés comme indication.

L'entretien sera réalisé plus fréquemment si nécessaire selon les conditions d'utilisation.

Utilisez l'huile pour moteur deux-temps BAD BOY 50:1.

# Specifications Especificaciones Spécifications

	ST225	ST254	ST300T
Weight※1(lbs) Peso seco※1(lbs) Poids ※1(kg)	11.3 (5.1kg) 11.3 (5.1kg) 5.1 (11.3 lbs.)	11.7 (5.3kg) 11.7 (5.3kg) 5.3 (11.7 lbs.)	12.2 (5.6kg) 12.2 (5.6kg) 5.6 (12.2 lbs.)
Engine Displacement (cm <sup>3</sup> ) Desplazamiento del motor (cm <sup>3</sup> ) Cylindrée du moteur (cm <sup>3</sup> )	22.5	25.4	30.1
Anti Vibration Contra vibración Anti Vibration	Dual Isolation-grip and engine mount Aislamiento double-mango y montura del motor Isolement Double-Poignée et Mont de Moteur		
Carburetor Carburador Carburateur	Walbro Diaphragm Type Walbro Tipo de Diafragma Walbro Type de Diaphragme		
Ignition System Encendido Allumage	Solid State Sistema de estado sólido État solide		
Fuel Tank Capacity (qts.) Capacidad del depósito de combustible (qts.) Contenance du réservoir de carburant (L)	0.53 (0.5L) 0.53 (0.5L) 0.5 (0.53 qts.)	0.63 (0.6L) 0.63 (0.6L) 0.6 (0.63 qts.)	0.63 (0.6L) 0.63 (0.6L) 0.6 (0.63 qts.)
Gas to Oil Ratio La gasolina para engrasar la proporción L'essence pour huiler ratio	50:1		
Spark Plug Bujia Bougie	NGK BPM8Y		
Spark plug Gap (in.) Luz entre electrodos (en.) Écartement de bougi (mm)	.024-.028 (0.6-0.7mm) .024-.028 (0.6-0.7mm) 0.6 - 0.7 (.024 - .028 po.)		

※1. Dry weight without Fuel, debris shield and Cutting head.

※1. Peso seco sin combustible, protector de desechos y ni accesorio de corte.

※1. Poids sans carburant, pare-débris et accessoire de coupe.





**BAD BOY**

**[www.badboycountry.com](http://www.badboycountry.com)**

Bad Boy, Inc.

102 Industrial Drive

Batesville, Arkansas 72501