



# **ZT AVENGER** MODELS

---

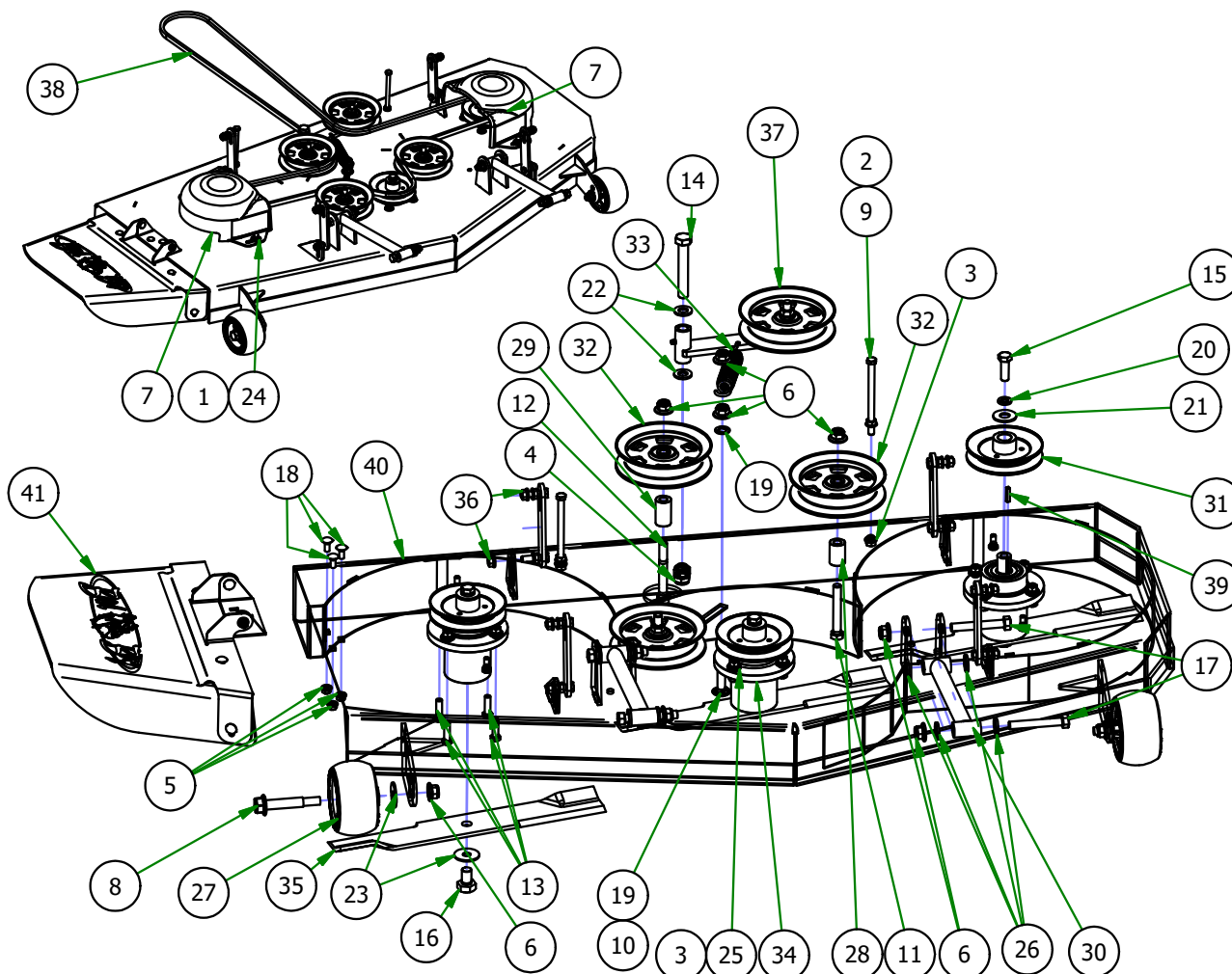
## **ZERO-TURN MOWER OWNER'S PARTS MANUAL**

Before ordering parts please check for the latest parts manual update at [www.badboymowers.com](http://www.badboymowers.com)



# PARTS SECTION: 54" DECK ASSEMBLY

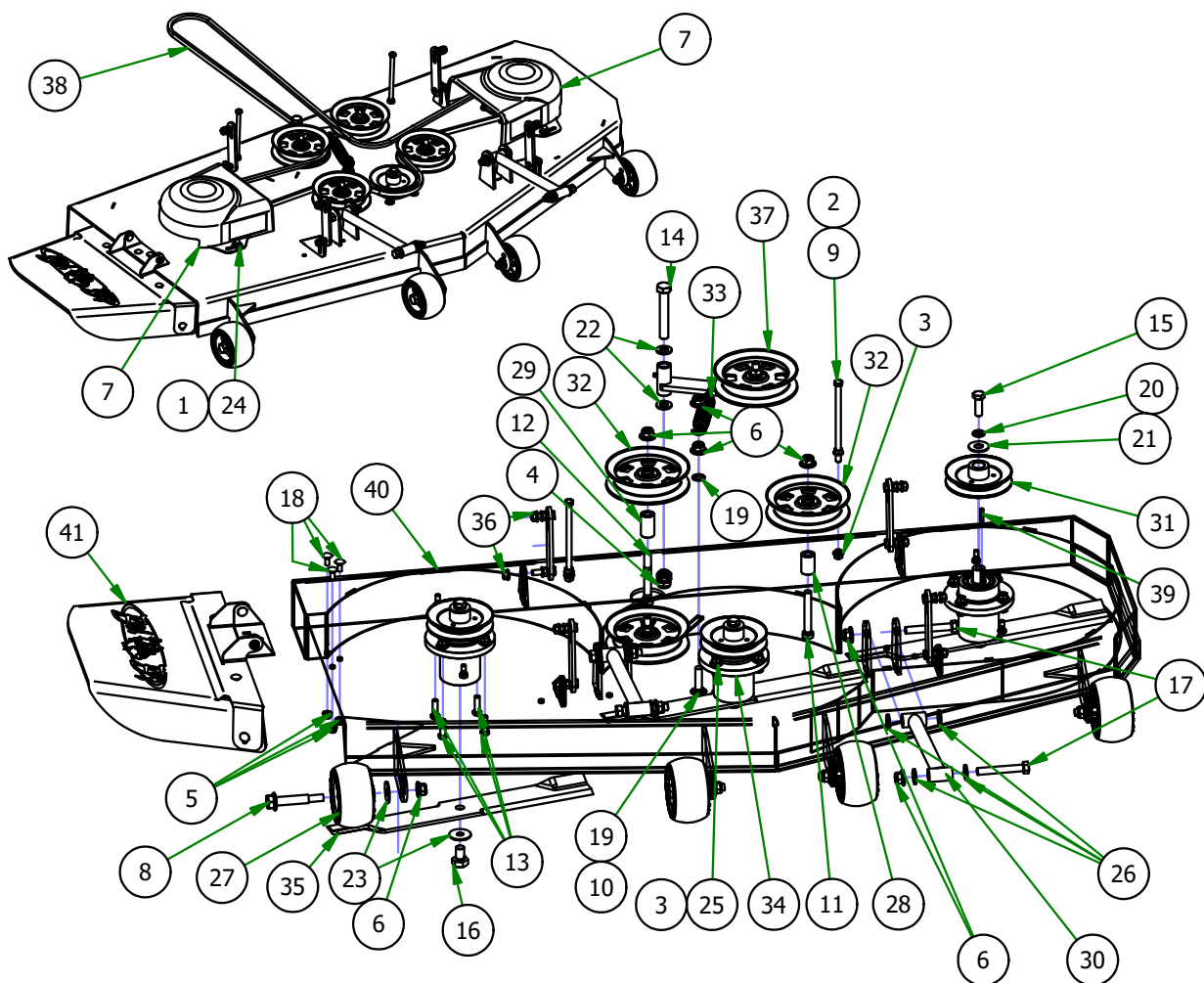
Parts List				Parts List			
ITEM	QTY	PART NUMBER	DESCRIPTION	ITEM	QTY	PART NUMBER	DESCRIPTION
1	4	013-0004-00	Acorn nut-pulley Cover	22	2	019-6017-00	.630 ID Plastic Washer
2	2	013-5201-00	3/8" Flange Nut	23	5	019-6020-00	1/2" Belleville Washer
3	14	013-5202-00	3/8-16 NYLON INSERT FLANGE LOCKNUT (GR.F) ZINC	24	4	019-6050-00	.360 ID Plastic Washer-Black
4	1	013-5301-00	5/8-11 Nylon Insert Jam Half Nut	25	12	019-8044-00	5/16 USS FLAT WASHER (7/8 OD) ZINC
5	3	013-8049-00	5/16-18 NYLON INSERT FLANGE LOCKNUT ZINC	26	8	019-8054-00	.505 Nylon Spacer
6	11	013-8050-00	1/2-13 NYLON INSERT FLANGE LOCKNUT ZINC	27	2	022-1000-00	Deck Wheel
7	2	014-4000-00	Pulley Cover	28	2	025-5338-00	.502 ID X .750 OD X 1.500 Long Spacer
8	2	018-0010-00	Deck Wheel Bolt	29	1	025-5339-00	1 3/4" Pulley Spacer
9	2	018-0065-00	3/8-16 X 5-1/4 HEX CAP SCREW (GR.5) ZINC	30	2	028-0004-00	MZ/ZT Deck Locator
10	1	018-1050-00	1/2 x 2" Carriage Bolt	31	3	033-4890-00	54" MZ Spindle Pulley
11	2	018-2018-00	1/2 x 3 1/2 Flange Bolt Grade 8	32	3	033-7201-25	5-3/4" Idler Pulley
12	1	018-5019-00	1/2" x 4" Bolt (Grade 8)	33	1	034-2020-00	Deck Idler Spring
13	12	018-5040-00	3/8" x 1 1/4" Hex Bolt	34	3	037-2000-00	Spindle Assembly-MZ
14	1	018-5311-00	5/8" x 4" Hex Bolt	35	3	038-0001-00	54" Fusion Blade for ZT/Mav/Outlaw/Revolt
15	3	018-6019-00	1/2"-20 x 1 1/2 - Grade 5 Fine Thread Bolt	36	4	039-2127-17	Deck Hanger Assembly
16	3	018-6020-00	5/8" x 1 1/2" Grade 8 Hex Bolt (Fine)	37	1	039-6945-18	2017 54"/48" Deck Idler Assembly
17	4	018-6054-00	1/2-13 x 3 1/2 GR 5 Hex Bolt	38	1	041-1560-00	B155.75 Deck Belt
18	3	018-8062-00	5/16-18 x 3/4 Carriage Bolt	39	3	042-0010-00	3/16 X 1 SQ MACHINERY KEY 1018 STL ZINC
19	2	019-0007-00	.517 Square Hole Round Washer	40	1	060-2417-00	2017 54" MZ Magnum Deck
20	3	019-5007-00	1/2" Lock Washer	41	1	210-6015-98	MZ Discharge Chute Assembly
21	3	019-5038-00	5/8" Flat Washer				





# PARTS SECTION: 60" DECK ASSEMBLY

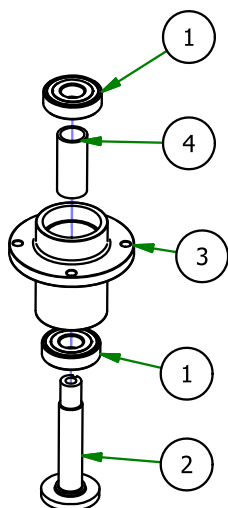
Parts List				Parts List			
ITEM	QTY	PART NUMBER	DESCRIPTION	ITEM	QTY	PART NUMBER	DESCRIPTION
1	4	013-0004-00	Acorn nut-pulley Cover	22	2	019-6017-00	.630 ID Plastic Washer
2	2	013-5201-00	3/8" Flange Nut	23	7	019-6020-00	1/2" Belleville Washer
3	14	013-5202-00	3/8-16 NYLON INSERT FLANGE LOCKNUT (GR.F) ZINC	24	4	019-6050-00	.360 ID Plastic Washer-Black
4	1	013-5301-00	5/8-11 Nylon Insert Jam Half Nut	25	12	019-8044-00	5/16 USS FLAT WASHER (7/8 OD) ZINC
5	3	013-8049-00	5/16-18 NYLON INSERT FLANGE LOCKNUT ZINC	26	8	019-8054-00	.505 Nylon Spacer
6	13	013-8050-00	1/2-13 NYLON INSERT FLANGE LOCKNUT ZINC	27	4	022-1000-00	Deck Wheel
7	2	014-5000-00	Pulley Cover	28	2	025-5338-00	.502 ID X .750 OD X 1.500 Long Spacer
8	4	018-0010-00	Deck Wheel Bolt	29	1	025-5339-00	1 3/4" Pulley Spacer
9	2	018-0073-00	3/8-16 X 6.5 HEX CAP SCREW (GR.5) ZINC	30	2	028-0004-00	MZ/ZT Deck Locator
10	1	018-1050-00	1/2 x 2" Carriage Bolt	31	3	033-4301-00	60" Avenger Deck Pulley
11	2	018-2018-00	1/2 x 3 1/2 Flange Bolt Grade 8	32	3	033-7201-25	5-3/4 Idler Pulley
12	1	018-5019-00	1/2" x 4" Bolt (Grade 8)	33	1	034-2020-00	Deck Idler Spring
13	12	018-5040-00	3/8" x 1 1/4" Hex Bolt	34	3	037-2000-00	Spindle Assembly-MZ
14	1	018-5311-00	5/8" x 4" Hex Bolt	35	3	038-6060-00	60 Inch Fusion Blade
15	3	018-6019-00	1/2"-20 x 1 1/2 - Grade 5 Fine Thread Bolt	36	4	039-2127-17	Deck Hanger Assembly
16	3	018-6020-00	5/8" x 1 1/2" Grade 8 Hex Bolt (Fine)	37	1	039-6945-18	2017 54"/48" Deck Idler Assembly
17	4	018-6054-00	1/2-13 x 3 1/2 GR 5 Hex Bolt	38	1	041-1650-00	B165 Belt
18	3	018-8062-00	5/16-18 x 3/4 Carriage Bolt	39	3	042-0010-00	3/16 X 1 SQ MACHINERY KEY 1018 STL ZINC
19	2	019-0007-00	.517 Square Hole Round Washer	40	1	060-2460-00	60" MZ Deck Welment-Painted
20	3	019-5007-00	1/2" Lock Washer	41	1	210-6015-98	MZ Discharge Chute Assembly
21	3	019-5038-00	5/8" Flat Washer				



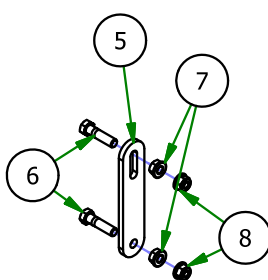


# PARTS SECTION: DECK SUB-ASSEMBLIES

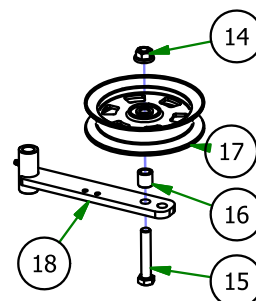
037-2000-00 Parts List				039-6945-18 Parts List			
ITEM	QTY	PART NUMBER	DESCRIPTION	ITEM	QTY	PART NUMBER	DESCRIPTION
1	2	037-6024-00	Spindle Bearing	14	1	013-8050-00	1/2-13 NYLON INSERT FLANGE LOCKNUT ZINC
2	1	037-6025-00	Spindle Shaft	15	1	018-6036-00	1/2-13 X 2-3/4 HEX CAP SCREW (GR.5) ZINC
3	1	037-6027-00	Spindle Housing	16	1	025-5203-00	.51 ID X .75 OD X .75 LGTH SOLID SPACER ZINC
4	1	037-6028-00	Spindle Spacer-Component	17	1	033-8050-00	5" Idler Pulley
039-2127-17 Parts List				039-6945-18 Parts List			
ITEM	QTY	PART NUMBER	DESCRIPTION	ITEM	QTY	PART NUMBER	DESCRIPTION
5	1	039-2127-00	2017 MZ/ZT Deck Hanger	19	6	013-8049-00	5/16" Nylon Flange Nut
6	2	018-6012-00	3/8" x 1 1/2" Hex Bolt	20	6	018-8066-00	5/16" x 7/8" Carriage Bolt
7	2	013-5201-00	3/8" Flange Nut	21	2	019-0002-00	5/16 Fender Washer
8	2	013-5202-00	3/8" Nylock Flange Nut	22	2	019-6042-00	.360 ID Plastic Washer
039-6945-17 Parts List				210-6015-98 Parts List			
ITEM	QTY	PART NUMBER	DESCRIPTION	ITEM	QTY	PART NUMBER	DESCRIPTION
9	1	039-6945-00	Deck Idler	23	1	039-4891-00	Discharge Chute Bracket 48 MZ (Upper)
10	1	025-5203-00	.51 ID X .75 OD X .75 LGTH SOLID SPACER ZINC	24	1	039-4892-00	2017 MZ Discharge Chute Bracket-Lower
11	1	013-8050-00	1/2-13 NYLON INSERT FLANGE LOCKNUT ZINC	25	1	206-6020-00	Chute Hanger 48 MZ
12	1	018-6036-00	1/2-13 X 2-3/4 HEX CAP SCREW (GR.5) ZINC	26	1	210-6014-00	Rubber Discharge Chute MZ (Component)
13	1	033-8050-00	5" Idler Pulley				



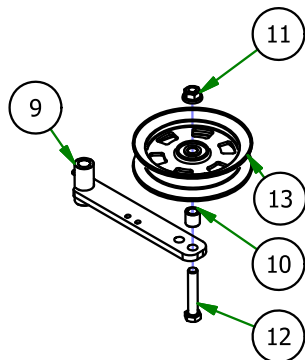
**037-2000-00**  
**Spindle Assembly-MZ**



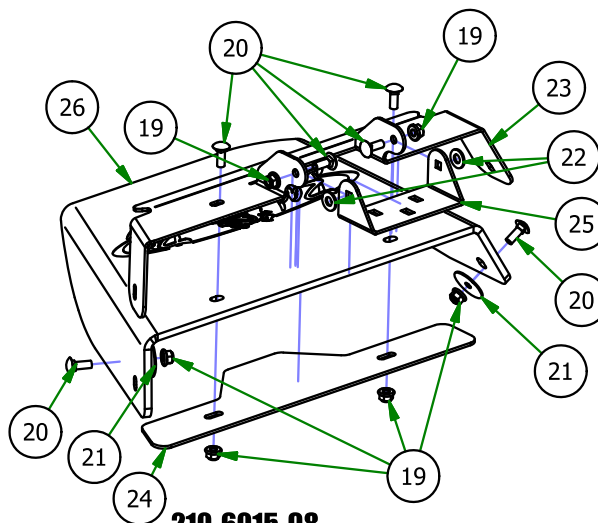
**039-2127-17**  
**Deck Hanger Assembly**



**039-6945-18**  
**2017 54"/48" Deck Idler Assembly**



**039-6945-17**  
**2017 MZ/ZT Deck Idler Assembly**

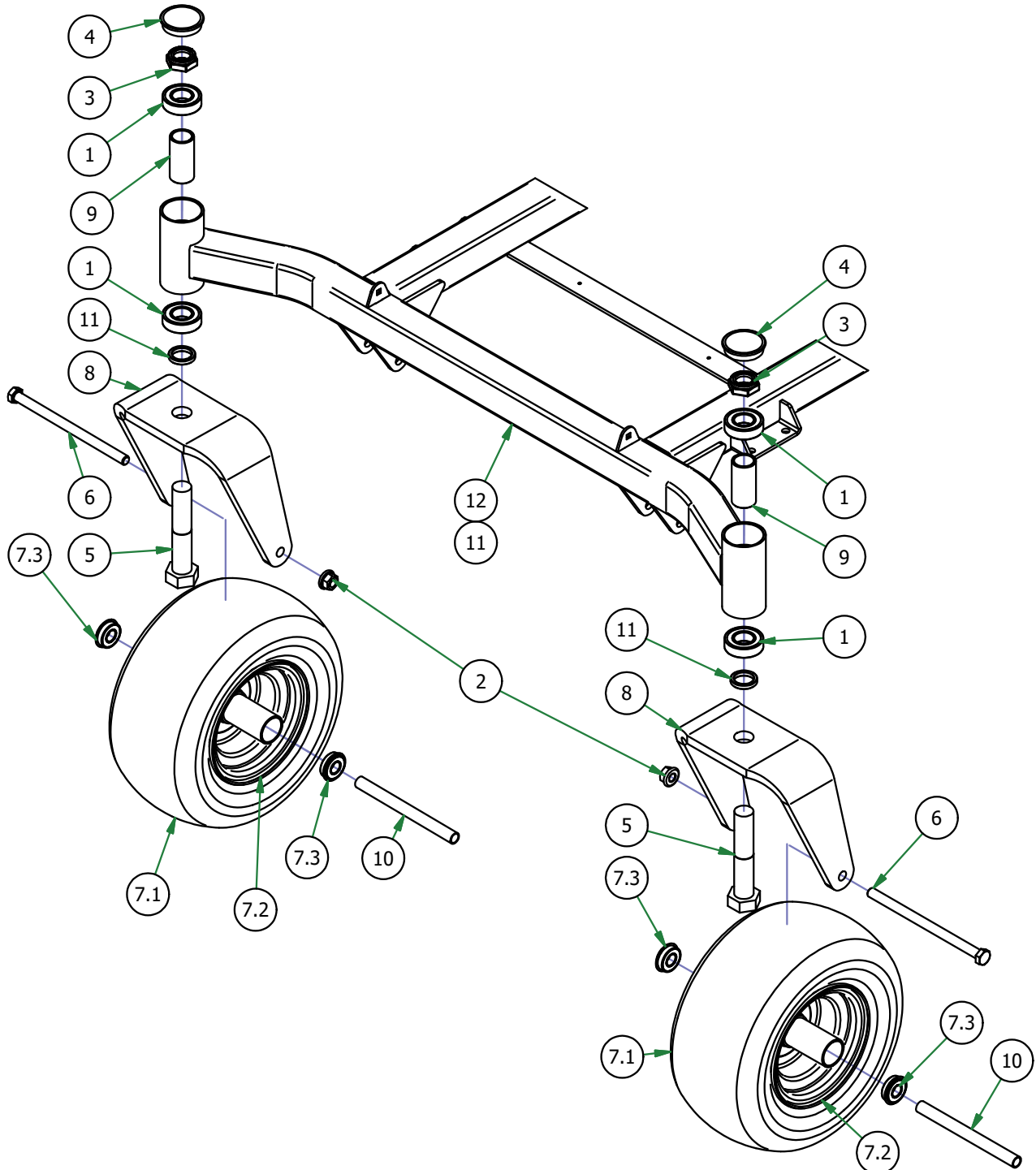


**210-6015-98**  
**MZ Discharge Chute Assembly**



# PARTS SECTION: FRONT FORK ASSEMBLY

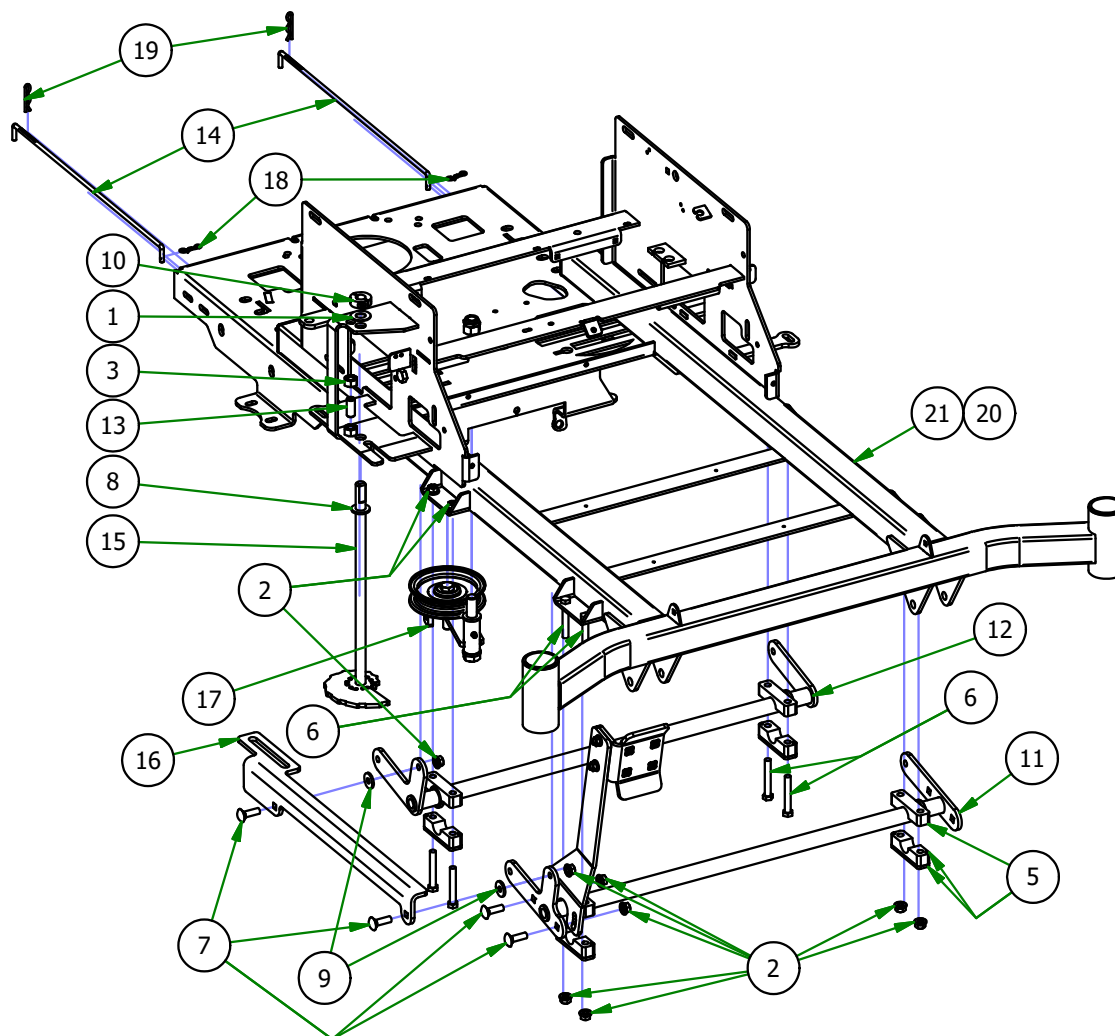
Parts List				Parts List			
ITEM	QTY	PART NUMBER	DESCRIPTION	ITEM	QTY	PART NUMBER	DESCRIPTION
1	4	010-1050-00	1641 BEARING W/2 CONTACT RUBBER SEALS	7.2	1	022-0009-00	Front Tire Rim
2	2	013-8050-00	1/2-13 NYLON INSERT FLANGE LOCKNUT ZINC	7.3	1	022-7009-00	Ball Bearing w/Retainer, 99502H-NR, .625 Bore x 1.375 OD x .4375 Width
3	2	013-9004-00	1" Fine Thread 1/2 Nylock Nut				
4	2	014-2025-00	2017 Bearing Cover	8	2	023-0003-00	2017 ZT Front Fork
5	2	018-0005-00	1-14 x 5 Hex Bolt Grade 8 Zinc Yellow	9	2	025-0003-00	2016 Front Bearing Spacer
6	2	018-0040-00	1/2" x 8 1/2 GR 5 Hex Bolt	10	2	025-5202-00	Front Wheel Spanner
7	2	022-0007-00	12x6-6 Black Tire and Wheel Assembly	11	2	058-1000-00	Spacer, 1x1.375x.25
7.1	1	022-0010-00	12 x 6 - 6 Front Tire	12	1	070-5420-00	2017 MZ/ZT 54"-60" Frame





# PARTS SECTION: DECK HEIGHT CONTROL ASSEMBLY

Parts List				Parts List			
ITEM	QTY	PART NUMBER	DESCRIPTION	ITEM	QTY	PART NUMBER	DESCRIPTION
1	1	013-0080-00	.625 ID x 1.250 OD x .062 THK F/W Nylon	12	1	028-0003-00	Actuator Bar Rear- 2017 MZ/ZT
2	12	013-5202-00	3/8-16 NYLON INSERT FLANGE LOCKNUT (GR.F) ZINC	13	1	028-0008-00	Dial Rod Plunger
3	1	013-7018-00	1/2" Hex Nut	14	2	028-0070-00	Neutral Rod
4	2	013-8050-00	1/2-13 NYLON INSERT FLANGE LOCKNUT ZINC	15	1	028-0070-17	ZT Deck Height Bar Assembly
5	4	017-9076-00	Pillow Block Kit	16	1	031-0510-00	2017 MZ/ZT Actuator Linkage
6	8	018-0028-00	3/8-16 x 2 1/2" Hex Bolt	17	1	039-5944-01	ZT Pump Idler
7	4	018-5043-00	3/8-16 X 1-1/4 CARRIAGE BOLT ZINC	18	2	044-2004-00	Bow Pin
8	1	019-6017-00	.630 ID x 1.122 OD x .142 THK Plastic Washer	19	2	044-2008-00	Neutral Rod Clip
9	2	019-6042-00	.360 ID Plastic Washer	20	1	070-5420-00	ZT 54" and 60" Frame
10	1	025-0002-00	5/8" Split Collar	21	1	070-5420-00	2017 MZ/ZT 54"-60" Frame
11	1	028-0002-00	Actuator Bar Front- 2017 MZ/ZT				

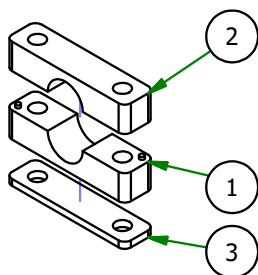




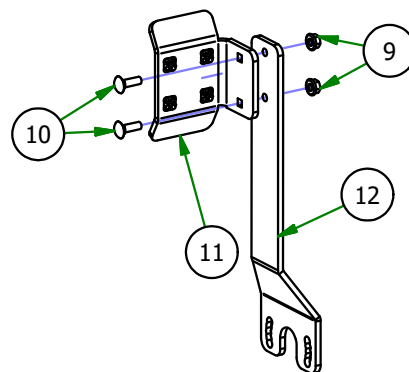


# PARTS SECTION: DECK HEIGHT CONTROL ASSEMBLY (CONT.)

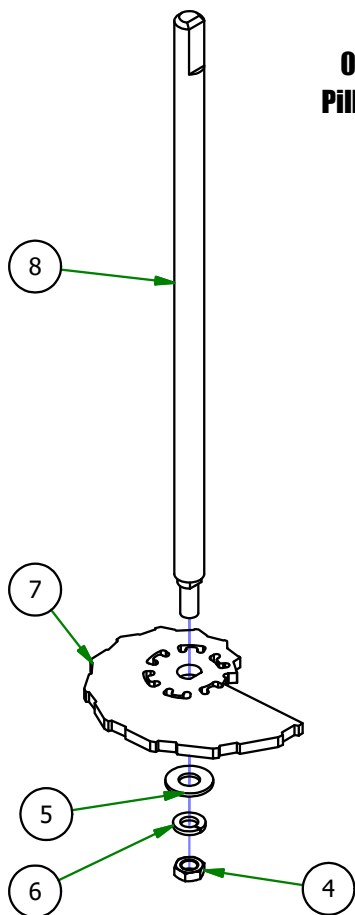
017-0076-00 Parts List				026-0019-01 Parts List			
ITEM	QTY	PART NUMBER	DESCRIPTION	ITEM	QTY	PART NUMBER	DESCRIPTION
1	1	017-9077-00	Pillow Block MZ male	9	2	013-8049-00	5/16-18 NYLON INSERT FLANGE LOCKNUT ZINC
2	1	017-9078-00	Pillow Block MZ female	10	2	018-8065-00	5/16-18 X 1 CARRIAGE BOLT (GR.8) ZINC
3	1	017-9079-00	Pillow Block Strap	11	1	026-0019-00	2017 MZ/ZT Shallow Foot Pedal
028-0070-17 Parts List				039-5944-01 Parts List			
ITEM	QTY	PART NUMBER	DESCRIPTION	ITEM	QTY	PART NUMBER	DESCRIPTION
4	1	013-6051-00	3/8-24 HEX NUT ZINC YELLOW	13	1	013-5301-00	5/8-11 NYLON INSERT JAM LOCKNUT ZINC
5	1	019-5029-00	3/8 FLAT WASHER USS (1" OD) ZINC	14	1	013-8050-00	1/2-13 NYLON INSERT FLANGE LOCKNUT ZINC
6	1	019-5037-00	3/8 SPLIT LOCKWASHER ZINC	15	1	018-5311-00	5/8-11 X 4 HEX CAP SCREW (GR.8) ZINC YELLOW
7	1	026-1100-00	2017 MZ/ZT Cam Plate	16	1	018-6036-00	1/2-13 X 2-3/4 HEX CAP SCREW (GR.5) ZINC
8	1	028-0014-00	2017 Deck Height Dial Rod ZT	17	2	019-6017-00	.635 ID X 1.120 OD X .140 THICK FLAT WASHER NYLON
				18	1	025-7036-00	1/2 SOLID SHAFT COLLAR (W/1 SET SCREW) ZINC
				19	1	033-6001-00	4 3/4" Idler Pulley
				20	1	039-5944-00	Pump Idler Bracket



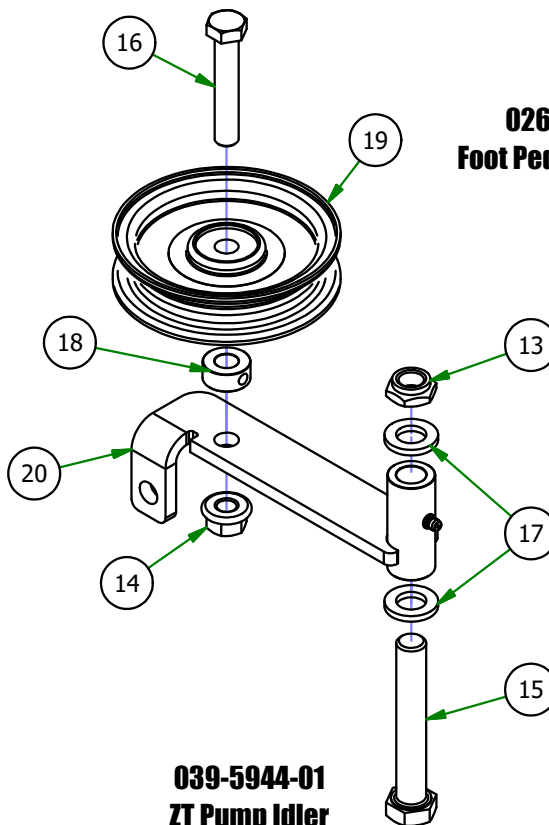
**017-9076-00**  
**Pillow Block Kit**



**026-0019-01**  
**Foot Pedal Assembly**



**028-0070-17**  
**ZT Deck Height Bar Assembly**

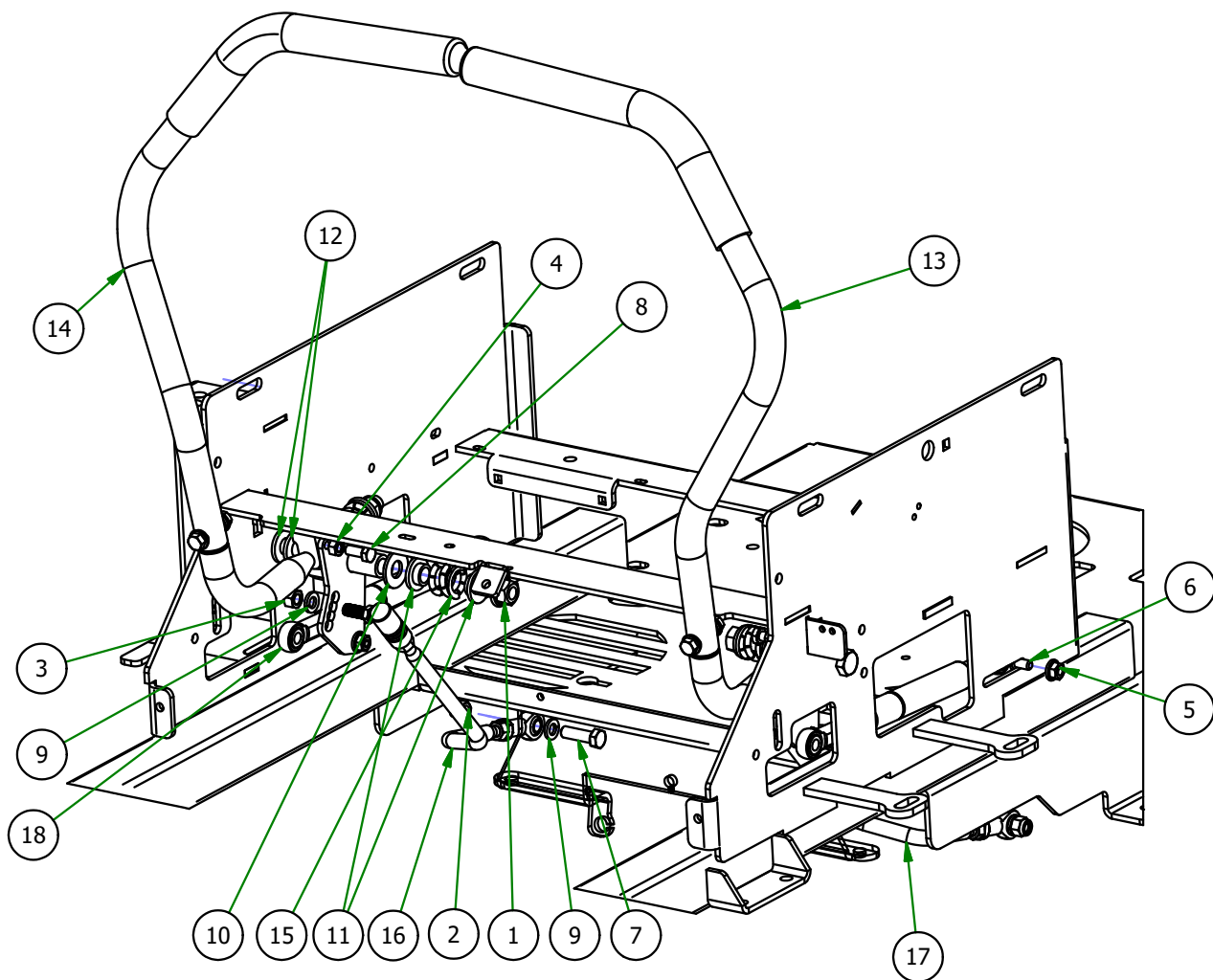


**039-5944-01**  
**ZT Pump Idler**



# PARTS SECTION: STEERING ARMS ASSEMBLY

Parts List				Parts List			
ITEM	QTY	PART NUMBER	DESCRIPTION	ITEM	QTY	PART NUMBER	DESCRIPTION
1	2	013-0010-00	1/2-13 Mechanical Lock Nut	10	2	019-5702-00	1/2" Washer (Grade 8)
2	2	013-5041-00	3/8 Nylock Nut	11	4	019-8027-00	.515 ID Nylon Shoulder Washer
3	2	013-6051-00	3/8" Fine Threaded Jam Nut	12	4	019-8054-00	.505 Nylon Spacer
4	2	013-8043-00	5/16" Nut	13	1	031-0017-01	ZT Steering Arm Assembly, Left Hand
5	2	013-9002-00	5/16" Flange Nut	14	1	031-0018-01	ZT Steering Arm Assembly-Right Hand
6	2	018-2050-00	10mm Damper Ball Stud-Steering	15	2	034-8025-00	Drive Lever Spring
7	2	018-5040-00	3/8" x 1 1/4" Hex Bolt	16	1	035-5450-00	Push Rod-Right
8	2	018-8063-00	5/16" x 3/4" Hex Bolt	17	1	035-5451-00	Push Rod-Left
9	4	019-5037-00	3/8" Lock Washer	18	2	087-0004-00	Steering Damper





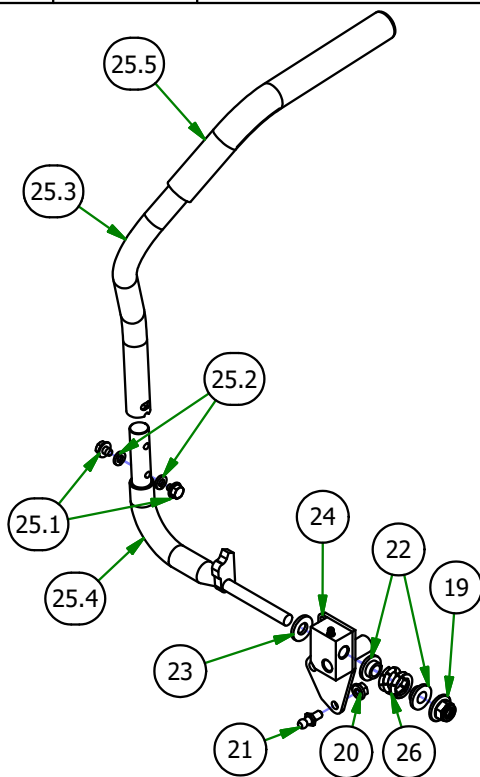


# PARTS SECTION: STEERING ARMS ASSEMBLY (CONT.)

031-0017-01 Parts List				031-0018-01 Parts List			
ITEM	QTY	PART NUMBER	DESCRIPTION	ITEM	QTY	PART NUMBER	DESCRIPTION
19	1	013-8050-00	1/2-13 Nylon Flange Nut	31	1	013-8050-00	1/2-13 Nylon Flange Nut
20	1	013-9002-00	5/16" Flange Nut	32	1	013-9002-00	5/16" Flange Nut
21	1	018-2050-00	10mm Damper Ball Stud-Steering	33	1	018-2050-00	10mm Damper Ball Stud-Steering
22	2	019-8027-00	.515 ID Nylon Shoulder Washer	34	2	019-8027-00	.515 ID Nylon Shoulder Washer
23	1	019-8054-00	.505 Nylon Spacer	35	1	019-8054-00	.505 Nylon Spacer
24	1	031-0017-98	2017 Drive Lever Housing - Left	36	1	031-0018-98	2017 Drive Lever Housing - Right
25	1	031-8850-70	ZT Steering Arm-Left	37	1	031-8851-70	ZT Steering Arm-Right
25.1	2	018-2020-00	5/16-18 1/2 HWH Bolt-Steering	37.1	2	018-2020-00	5/16-18 1/2 HWH Bolt-Steering
25.2	2	019-8051-00	5/16" Lock Washer	37.2	2	019-8051-00	5/16" Lock Washer
25.3	1	031-8850-02	ZT Direction Steering Arm (Left)	37.3	1	031-8851-02	ZT Direction Steering Arm (Right)
25.4	1	031-9020-70	Steering Arm Elbow (Left)	37.4	1	031-9025-70	Steering Arm Elbow (Right)
25.5	1	069-4010-00	Rubber Grip	37.5	1	069-4010-00	Rubber Grip
26	1	034-8025-00	Drive Lever Spring	38	1	034-8025-00	Drive Lever Spring

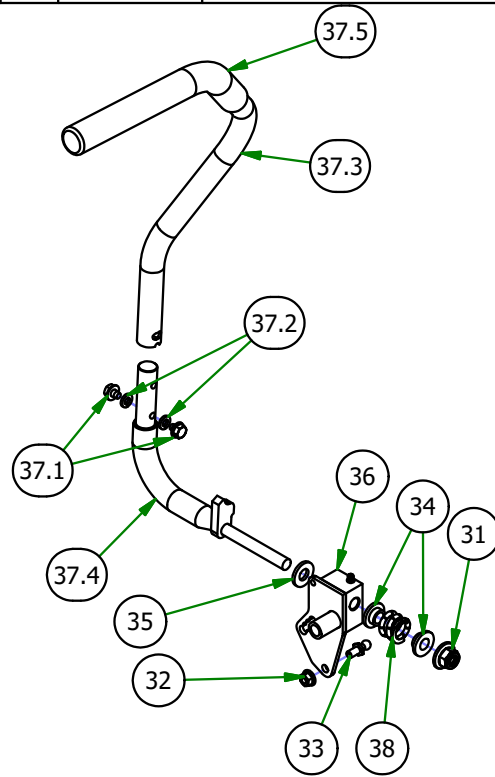
  

035-5450-00 Parts List				035-5451-00 Parts List			
ITEM	QTY	PART NUMBER	DESCRIPTION	ITEM	QTY	PART NUMBER	DESCRIPTION
27	2	013-6051-00	3/8" Fine Threaded Jam Nut	39	2	013-6051-00	3/8" Fine Threaded Jam Nut
28	1	035-5450-00	Push Rod - Right	40	1	035-5451-00	Push Rod - Left
29	1	048-3000-00	Spherical Rod End - Outlaw	41	1	048-3000-00	Spherical Rod End - Outlaw
30	1	099-2009-00	Quick Release Ball Joint	42	1	099-2009-00	Quick Release Ball Joint



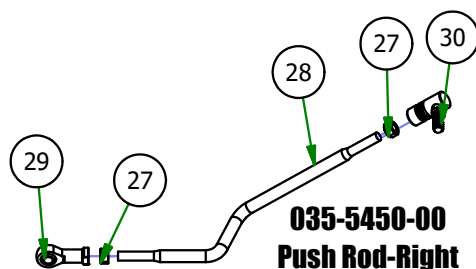
**031-0017-01**

**ZT Steering Arm Assembly, Left Hand**

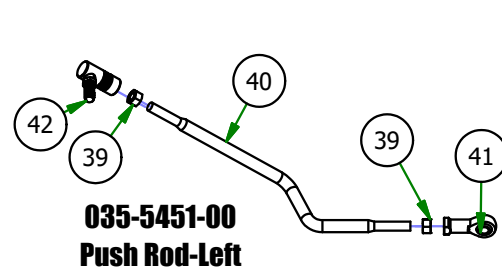


**031-0018-01**

**ZT Steering Arm Assembly-Right Hand**



**035-5450-00**  
**Push Rod-Right**

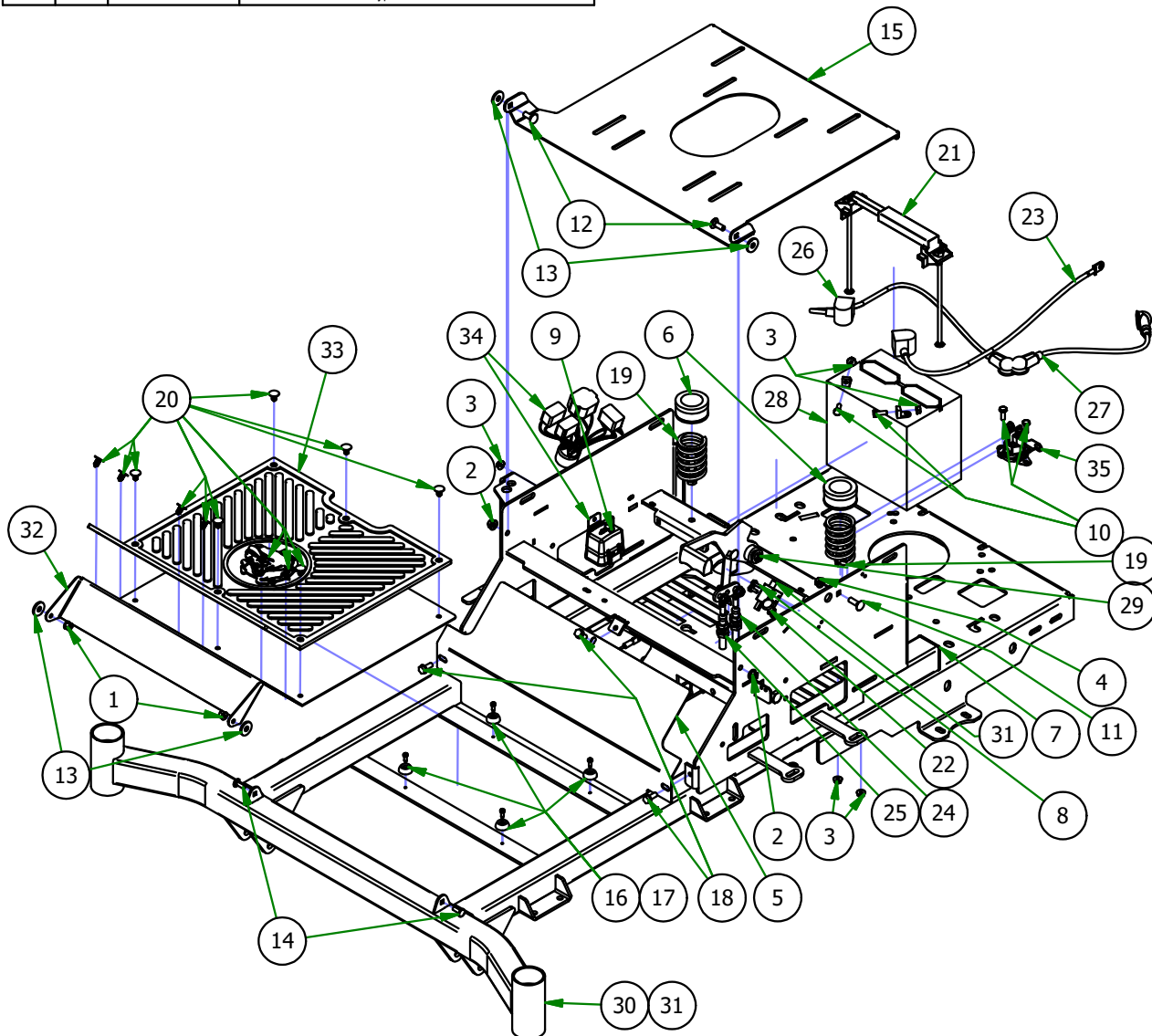


**035-5451-00**  
**Push Rod-Left**



# PARTS SECTION: BATTERY, SEAT PAN, & COVER ASSEMBLY

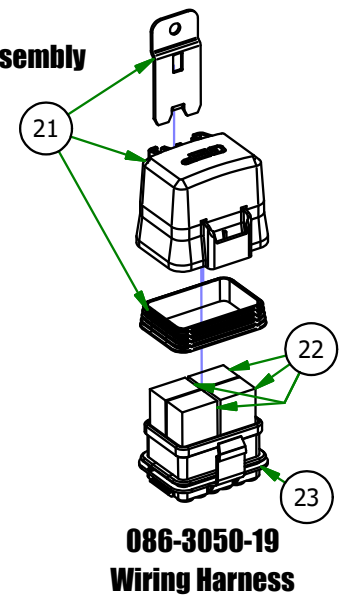
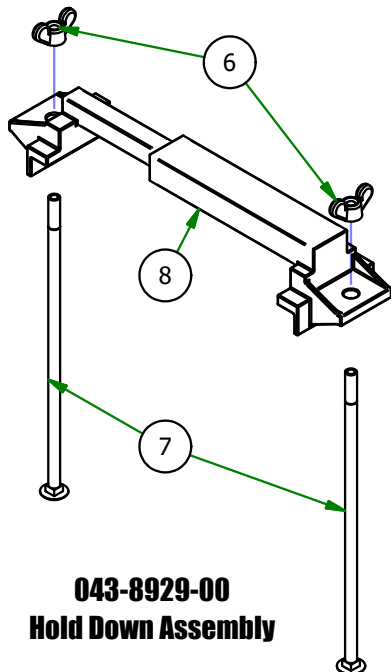
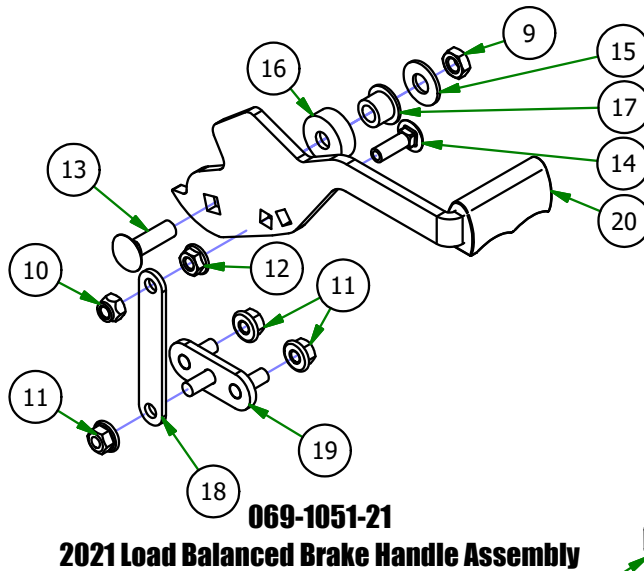
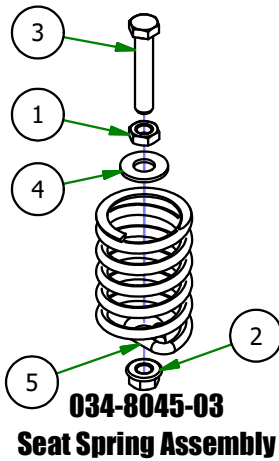
Parts List				Parts List			
ITEM	QTY	PART NUMBER	DESCRIPTION	ITEM	QTY	PART NUMBER	DESCRIPTION
1	6	013-2050-00	1/4-20 Nylon Insert flange Nut	19	2	034-8045-03	Seat Spring Assembly
2	2	013-8049-00	5/16" Nylon Flange Nut	20	12	040-6090-00	5/8" Christmas Tree Fastener
3	7	013-9001-00	1/4-20 Hex Flange Nuts Zinc w/Serrations	21	1	043-8929-00	Hold Down Assembly
4	1	013-9002-00	5/16" Flange Nut	22	1	054-8017-00	Choke
5	1	014-3417-00	2017 ZT Cooler Cover	23	1	064-0030-00	Ground Cable
6	2	014-8047-00	Seat Spring Cap Cover	24	1	064-3050-21	2021 Load Balanced Brake Cable 1
7	2	014-9000-00	2x2 Square Plug	25	1	064-3051-21	2021 Load Balanced Brake Cable 2
8	2	018-1080-00	12-24x 1/2 HWH Bolt	26	1	064-5300-00	24" Red Battery Cable
9	1	018-2012-00	1/4" x 1/2" BS C/S 18-8 SS	27	1	064-5301-00	12" Red Battery Cable
10	4	018-8052-00	1/4" x 3/4" Hex Bolt	28	1	068-8049-00	Battery
11	1	018-8065-00	5/16" x 1" Carriage Bolt	29	1	069-1051-21	2021 Load Balanced Brake Handle Assembly
12	2	018-8066-00	5/16" x 7/8" Carriage Bolt	30	1	070-5420-00	2017 MZ/ZT 54"-60" Frame
13	4	019-6042-00	.360 ID Plastic Washer	31	1	077-8073-00	Safety Switch
14	2	019-8040-00	1/4" x 3/4" Carriage Bolt	32	1	079-3417-00	MZ/ZT 2017 Floorboard
15	1	026-2017-00	2017 MZ Seat Plate	33	1	081-4000-00	2017 MZ/ZT Floor Mat
16	4	029-4010-00	Button Bumper	34	1	086-3050-19	Wiring Harness
17	4	030-3050-00	#10 x 1/2" Self Tapping Screw	35	1	108-0001-00	Solenoid
18	3	030-7042-00	5/16 x 3/4 washer head type F screw				





# PARTS SECTION: BATTERY, SEAT PAN, & COVER ASSEMBLY (CONT.)

034-8045-03 Parts List				069-1050-01 Parts List			
ITEM	QTY	PART NUMBER	DESCRIPTION	ITEM	QTY	PART NUMBER	DESCRIPTION
1	1	013-0017-00	3/8-16 Half Jam Nut	9	1	013-0012-00	3/8-16 HEX JAM 2-WAY REVERSIBLE CENTER LOCKNUT ZINC
2	1	013-5201-00	3/8-16 HEX SERRATED FLANGE NUT HARD/ZINC	10	1	013-8042-00	5/16-18 NYLON INSERT CAP LOCKNUT ZINC (BLK CAP)
3	1	018-3000-00	3/8-16 X 2 HEX CAP SCREW (GR.5) ZINC	11	3	013-8049-00	5/16-18 NYLON INSERT FLANGE LOCKNUT ZINC
4	1	019-5029-00	3/8 FLAT WASHER USS (1" OD) ZINC	12	1	013-9002-00	5/16-18 HEX SERRATED FLANGE NUT HARD/ZINC
5	1	034-8045-00	Seat Spring	13	1	018-5043-00	3/8-16 X 1-1/4 CARRIAGE BOLT ZINC
043-8929-00 Parts List				14	1	018-8065-00	5/16-18 X 1 CARRIAGE BOLT (GR.8) ZINC
ITEM	QTY	PART NUMBER	DESCRIPTION	15	1	019-5029-00	3/8 FLAT WASHER USS (1" OD) ZINC
6	2	013-8051-00	1/4" Wing Nut	16	1	025-0001-00	2015 Brake Lever Spacer
7	2	018-8050-00	1/4-20 X 8 Carriage Bolt	17	1	032-5053-00	.377 ID X .625 OD X .500 HGT X .880 FLNG DIA X .060 FLNG THK BUSHING BRONZE
8	1	043-8929-00	Battery Hold Down	18	1	039-0170-00	Brake Cable Extension Plate
				19	1	039-0171-00	Brake Load Balancer Lower Weldment
				20	1	069-1051-00	Load Balanced Brake Handle with Grip
				086-3050-19 Parts List			
ITEM	QTY	PART NUMBER	DESCRIPTION	21	1	086-1202-01	Relay Block Cover Replacement Kit
21	1	086-1202-01	Relay Block Cover Replacement Kit	22	4	086-1202-19	Relay
22	4	086-1202-19	Relay	23	1	086-3050-19	Wiring Harness (Includes Cover Replacement Kit and Relays)
23	1	086-3050-19	Wiring Harness (Includes Cover Replacement Kit and Relays)				

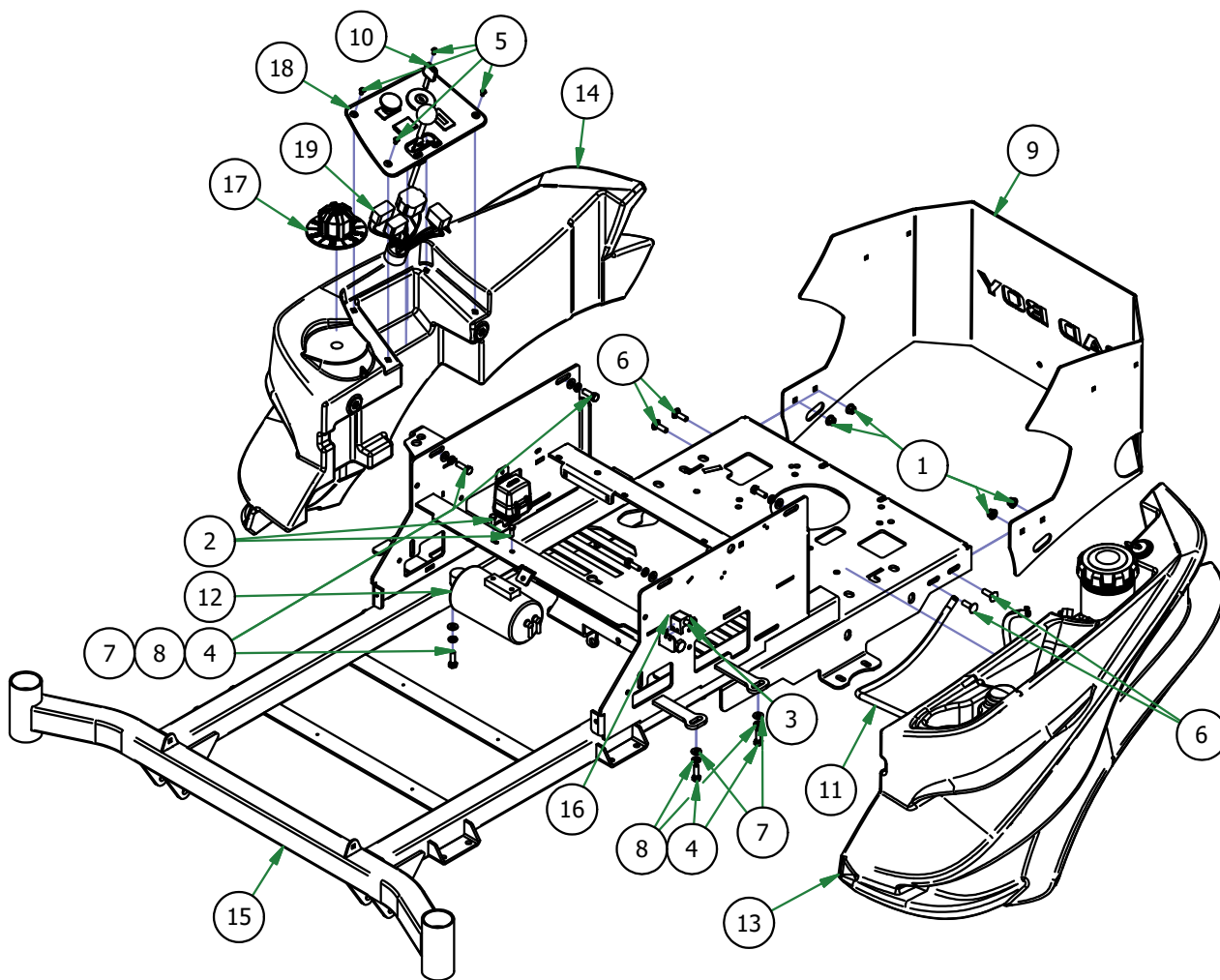




BAD BOY MOWERS

# PARTS SECTION: TANKS & REAR COVER

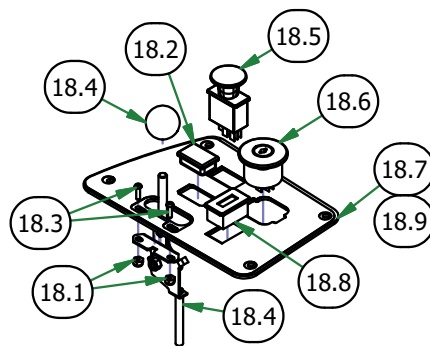
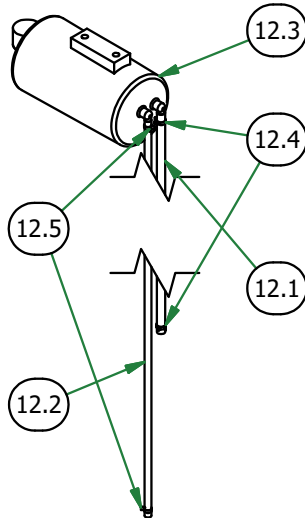
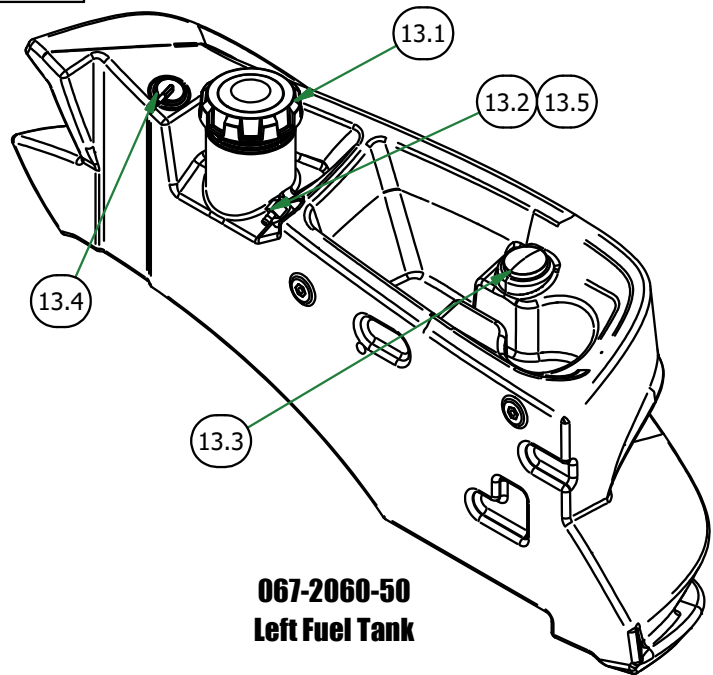
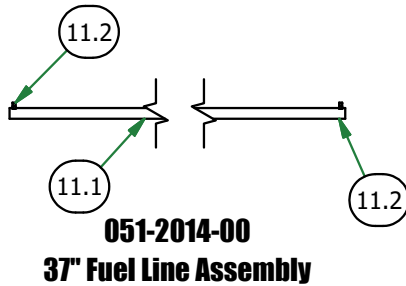
Parts List				Parts List			
ITEM	QTY	PART NUMBER	DESCRIPTION	ITEM	QTY	PART NUMBER	DESCRIPTION
1	4	013-8049-00	5/16" Nylon Flange Nut	11	1	051-2014-00	37" Fuel Line Assembly
2	2	018-0024-00	M6-1.0 X 16MM Hex Bolt	12	1	067-0020-01	ZT/Mav EPA Cannister Assy
3	4	018-1080-00	12-24x 1/2 HWH Bolt	13	1	067-2060-50	Left Fuel Tank
4	7	018-2007-00	5/16" x 1" Bolt	14	1	067-2070-50	Right Side Console
5	4	018-2010-00	10-32 x 3/8" Button Socket Head Bolt	15	1	070-5420-00	2017 MZ/ZT 54"-60" Frame
6	4	018-8065-00	5/16" x 1" Carriage Bolt	16	2	077-8073-00	Safety Switch
7	7	019-8044-00	5/16" Flat Washer	17	1	077-9000-00	MZ/ZT Deck Height Dial
8	7	019-8051-00	5/16" Lock Washer	18	1	079-3460-19	2019 ZT/Maverick Control Panel Assembly
9	1	026-0090-00	2017 ZT Rear Plate	19	1	086-3050-19	Wiring Harness
10	1	042-9000-00	Ignition Key				





# PARTS SECTION: TANKS & REAR COVER (CONT.)

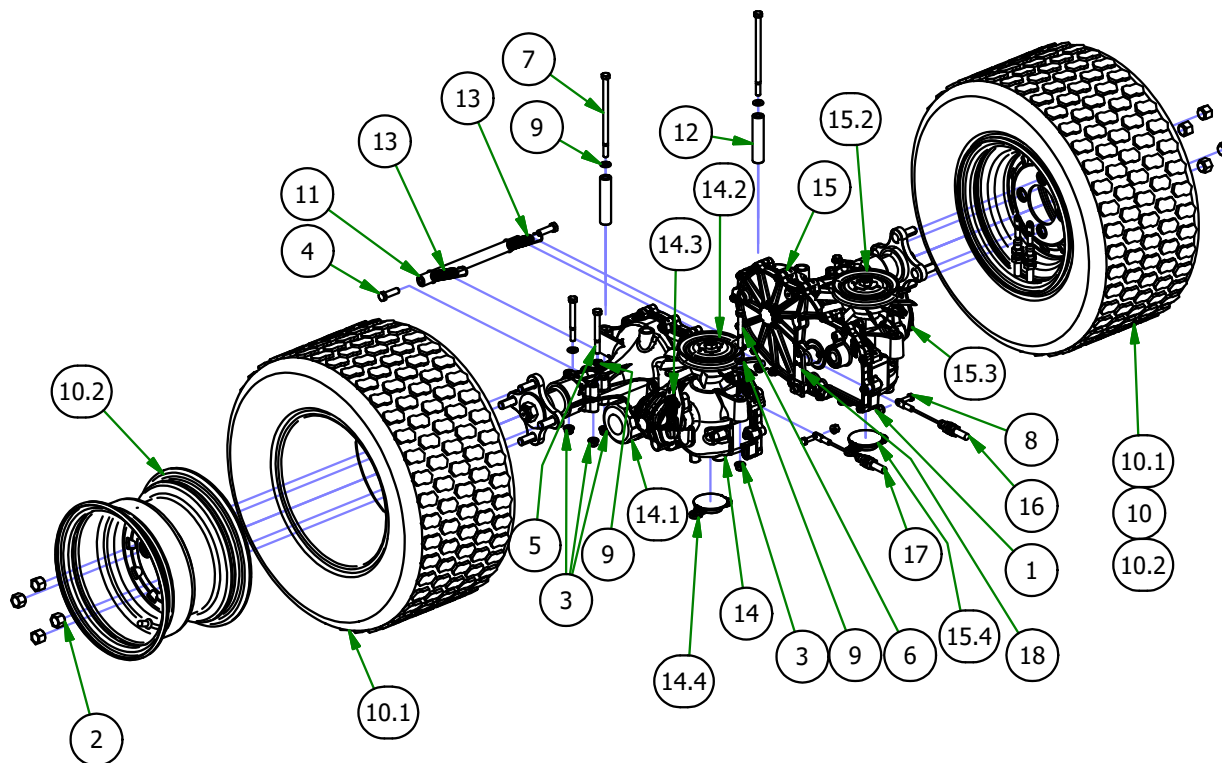
051-2014-00 Parts List				079-3460-19 Parts List			
ITEM	QTY	PART NUMBER	DESCRIPTION	ITEM	QTY	PART NUMBER	DESCRIPTION
11.1	1	051-2014-01	37" 1/4 Fuel Line	18.1	2	013-5019-00	10-24 Nylon Insert Locknut Zinc Orange Nylon
11.2	2	072-8069-00	1/4 Fuel Hose Clamp	18.2	1	018-1040-00	Light Plug
067-0020-01 Parts List				18.3	2	018-5200-00	10-24 X 5/8 BS Button Head Bolt
ITEM	QTY	PART NUMBER	DESCRIPTION	18.4	1	055-8020-00	Throttle Lever Assembly
12.1	1	051-2020-01	1/4" Vinyl Tubing, 46" Long	18.5	1	056-8058-00	PTO Engager
12.2	1	051-2025-02	3/16" Vinyl Tubing, 55" Long	18.6	1	077-8076-00	Ignition Switch
12.3	1	067-0020-00	Carbon Canister	18.7	1	079-3460-00	Control Panel
12.4	2	072-8070-00	3/16 Vinyl Clamp	18.8	1	083-4013-00	Tachometer
12.5	2	072-8073-00	3/16" Vinyl Hose Clamp	18.9	1	091-0338-18	2018 MZ/Magnum/ZT/Maverick Control Panel Decal
067-2060-50 Parts List							
ITEM	QTY	PART NUMBER	DESCRIPTION				
13.1	1	066-8083-00	Fuel Cap				
13.2	1	067-0011-00	Pick-Up				
13.3	1	067-4090-00	Fuel Gauge w/Grommet				
13.4	1	067-6070-00	Rollover Valve W/Grommet				
13.5	1	067-6080-00	Pick-Up Grommet				





# PARTS SECTION: TRANSAXLE ASSEMBLY

Parts List				Parts List			
ITEM	QTY	PART NUMBER	DESCRIPTION	ITEM	QTY	PART NUMBER	DESCRIPTION
1	2	013-2050-00	1/4-20 Nylon Insert flange Nut	13	2	034-1026-00	Brake Return Spring
2	8	013-3000-00	Acorn Lug Nut	14	1	050-5050-02	2021 RH 2800 Transaxle
3	8	013-8049-00	5/16" Nylon Flange Nut	14.1	1	063-1050-00	Filter
4	2	018-3000-00	3/8" x2" Hex Bolt	14.2	1	050-2070-00	Fan/Pulley Kit for ZT
5	4	018-4701-00	5/16" x 3" Hex Bolt	14.3	1	034-9080-00	Transaxle Spring
6	2	018-5344-00	5/16" x 2 1/2" Bolt	14.4	1	050-2071-00	ZT Transaxle Charge Plate/With O'Ring
7	2	018-5355-00	5/16" x 6" Bolt	15	1	050-5060-02	2021 LH 2800 Transaxle
8	2	018-8052-00	1/4" x 3/4" Hex Bolt	15.1	1	063-1050-00	Filter
9	8	019-8044-00	5/16" Flat Washer	15.2	1	050-2075-00	Fan/Pulley Kit for ZT
10	2	022-0008-00	ZT Tire and Rim Assembly 22 x 11 - 10	15.3	1	034-9080-00	Transaxle Spring
10.2	1	022-0011-00	ZT Wheel Only 22x11-10	15.4	1	050-2071-00	ZT Transaxle Charge Plate/With O'Ring
10.1	1	022-0012-00	ZT Tire Only 22x11-10	16	1	064-3050-21	2021 Load Balanced Brake Cable 1
11	1	025-0017-00	2017 Transaxle Spacer-ZT	17	1	064-3051-21	2021 Load Balanced Brake Cable 2
12	2	025-0070-00	2017 Transaxle Spacer				



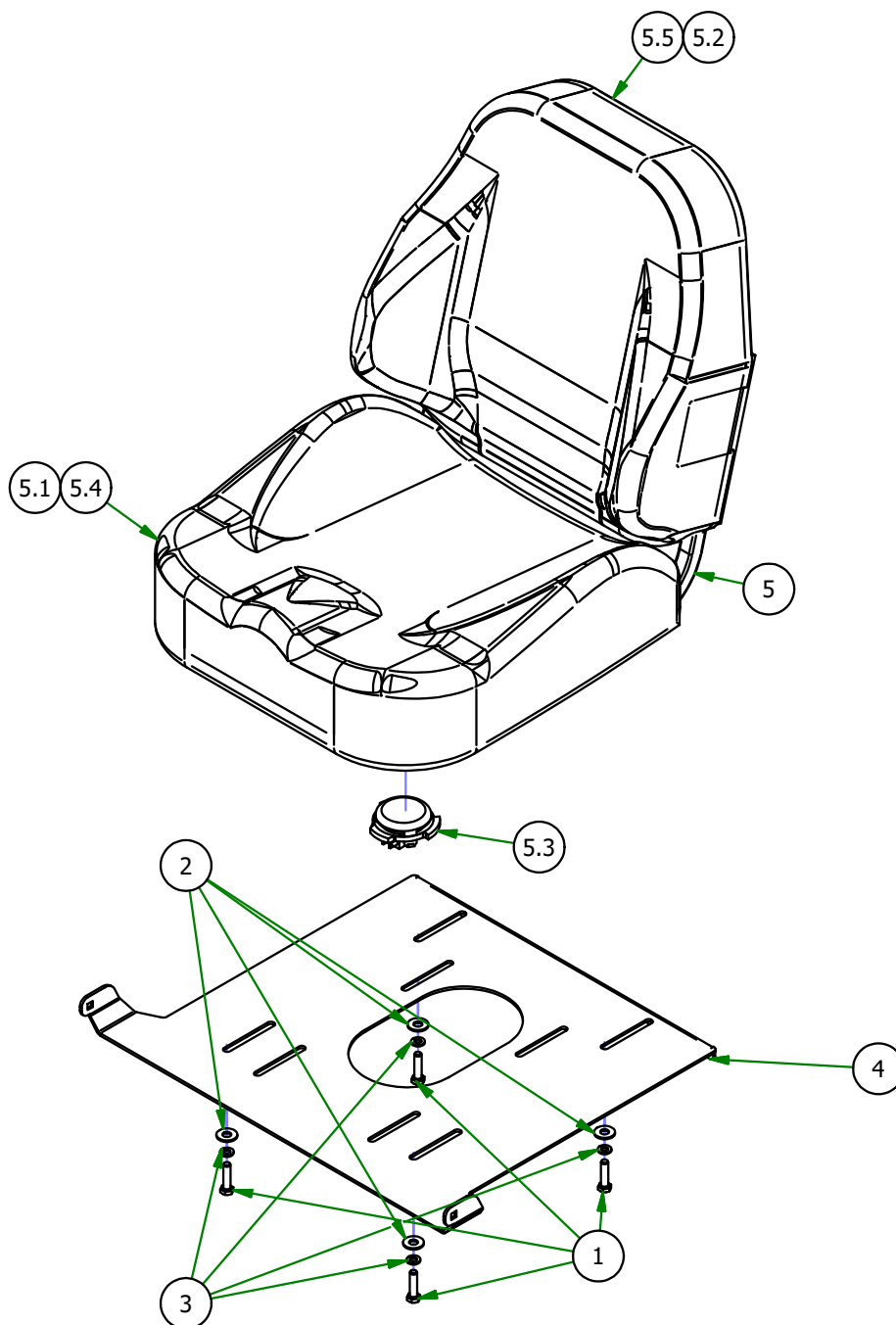




BAD BOY MOTORS

# PARTS SECTION: SEAT ASSEMBLY

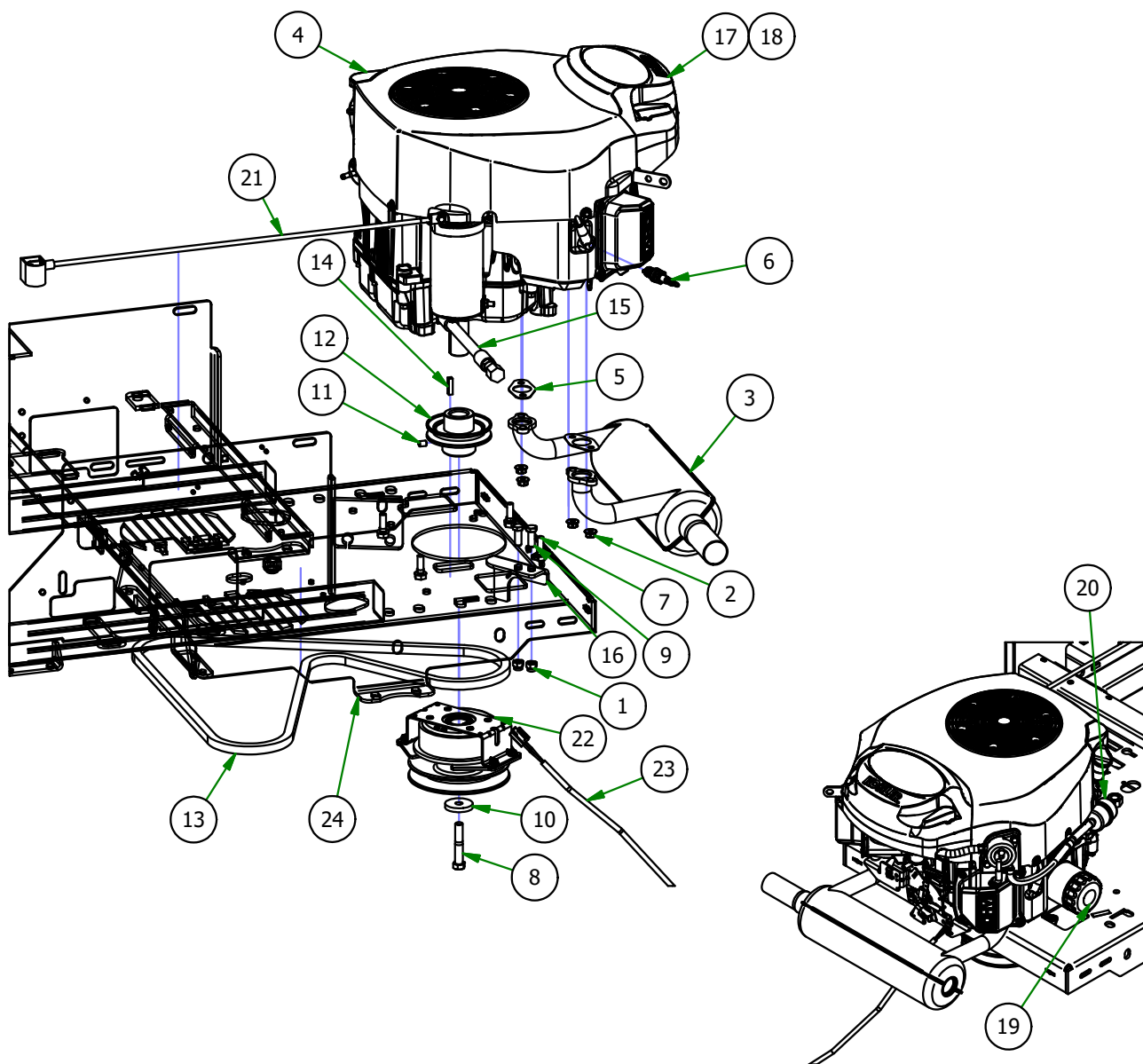
Parts List				Parts List			
ITEM	QTY	PART NUMBER	DESCRIPTION	ITEM	QTY	PART NUMBER	DESCRIPTION
1	4	018-2006-00	5/16-18 X 1-1/4 HEX C/S (GR.5) ZC	5.1	1	071-2042-01	Seat Cover Molded Foam for 071-2040-18/071-5080-18
2	4	019-8044-00	5/16 USS FLAT WASHER (7/8 OD) ZINC	5.2	1	071-2057-01	Foam Molded Back for 071-2100-00
3	4	019-8051-00	5/16 SPLIT LOCKWASHER ZINC	5.3	1	071-8061-00	13/14 MZ/Outlaw Seat Switch
4	1	026-2017-00	2017 MZ Seat Plate	5.4	1	071-2047-00	2020 ZT Elite Seat Cover for 071-2040-20
5	1	071-2100-00	2021 Avenger Seat	5.5	1	071-2057-00	Backrest Seat Cover for 071-2040-20





# PARTS SECTION: ENGINE - KOHLER KT740

Parts List				Parts List			
ITEM	QTY	PART NUMBER	DESCRIPTION	ITEM	QTY	PART NUMBER	DESCRIPTION
1	2	013-5041-00	3/8-16 NYLON INSERT LOCKNUT ZINC	13	1	041-6400-00	Pump Belt
2	4	013-8240-00	M8 Flange Nut for Kohler Exhaust	14	1	042-6030-00	1/4 X 1 SQ MACHINERY KEY 1018 STL PLN
3	1	015-0051-00	Kohler Muffler	15	1	051-5401-00	Oil drain Hose
4	1	015-2014-00	Kohler MZ Magnum 740cc	16	1	057-5900-00	2017 MZ Clutch Stop
5	2	015-2751-00	Exhaust Gasket	17	1	063-5002-00	Kohler KT740 Precleaner
6	2	015-8000-00	Spark Plug	18	1	063-5003-00	Kohler KT740 Air Element
7	4	018-1075-00	3/8 x 1 1/8 bolt	19	1	063-5004-00	725 Kohler Oil Filter
8	1	018-5450-00	7/16-20 x 1 1/2 Fine Thread Bolt Gr8	20	1	063-6000-00	Universal Inline Fuel Filter
9	2	018-6049-00	3/8-16 X 1 GR 5 Hex Bolts Zinc	21	1	064-0030-00	24 inch Black Cable - MZ/ZT
10	1	019-0010-00	CLUTCH WASHER	22	1	070-0055-00	Clutch
11	1	030-6029-00	3/8" Set Screw	23	1	070-2000-00	Clutch Pigtail
12	1	033-2010-00	3-3/4" Motor Pulley	24	1	070-5420-00	2017 MZ/ZT 54"-60" Frame



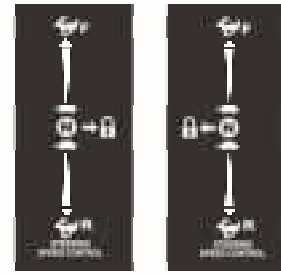


BAD BOY MOWERS

# PARTS SECTION: DECALS



**091-0313-21**  
Logo Decal



**091-0214-00**  
Steering Speed  
Control Decal



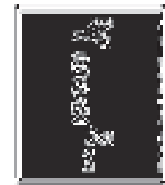
**091-4061-00**  
ZT Avenger Cooler Cover Decal



**091-4060-00**  
ZT 725cc Decal



**091-3012-00**  
Danger Decal



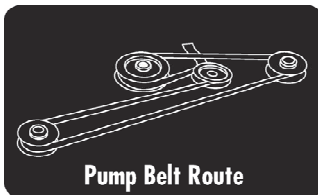
**091-0339-18**  
Brake Decal



**091-0904-18**  
54" Deck Decal



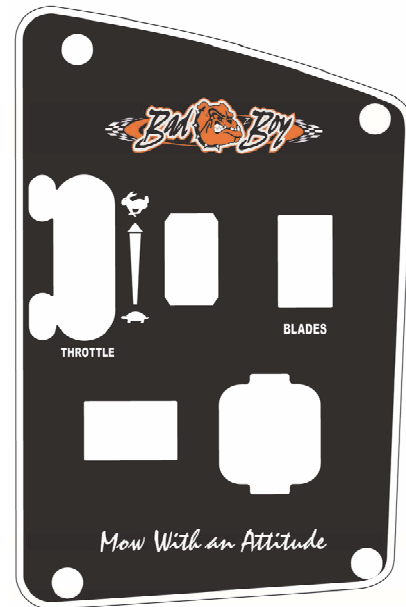
**091-0905-18**  
60" Deck Decal



**091-3017-00**  
Pump Belt Route Decal



**091-3309-00**  
Deck Belt Route Decal



**091-0338-18**  
ZT Instrument Panel Decal

<b>DANGER</b>	• STOP BLADE & BACK SLOWLY IF MACHINE STOPS GOING UPHILL • NEVER MOW NEAR PEOPLE • NEVER USE WHEN UNDER THE INFLUENCE OF DRUGS OR ALCOHOL • NEVER CARRY PASSENGERS • SET PARKING BRAKE & REMOVE KEY IF LEAVING MACHINE • AVOID SLIPPERY OR STEEP AREAS • AVOID BLADE UNLESS BLADE & ENGINE ARE STOPPED • USE SAFELY, MACHINE IS NOT A TOY • KNOW LOCATION AND FUNCTION OF CONTROLS • REMOVE POTENTIAL THROWN OBJECTS • KEEP SAFETY DEVICES IN PLACE AND WORKING • LOOK BEHIND MACHINE BEFORE BACKING	<b>NEVER MOW SIDE HILL OVER 5°</b>	<b>NEVER MOW UP HILL OVER 10°</b>	<b>NEVER MOW SLOPE OVER 15°</b>	<b>DANGER</b>	<b>CAUTION</b>	Shut off engine before refueling.	<b>CAUTION</b>
	• READ OWNER'S MANUAL •						Never fill fuel tank indoors or when engine is hot.	
							Wipe up all spilled fuel before starting engine.	
							Do not smoke while refueling.	
							Do not operate this machine unless you are trained.	

**091-3150-00**  
Caution-Danger Decal