



**PARTS MANUAL FOR BAD BOY ZT
MODELS
2009**

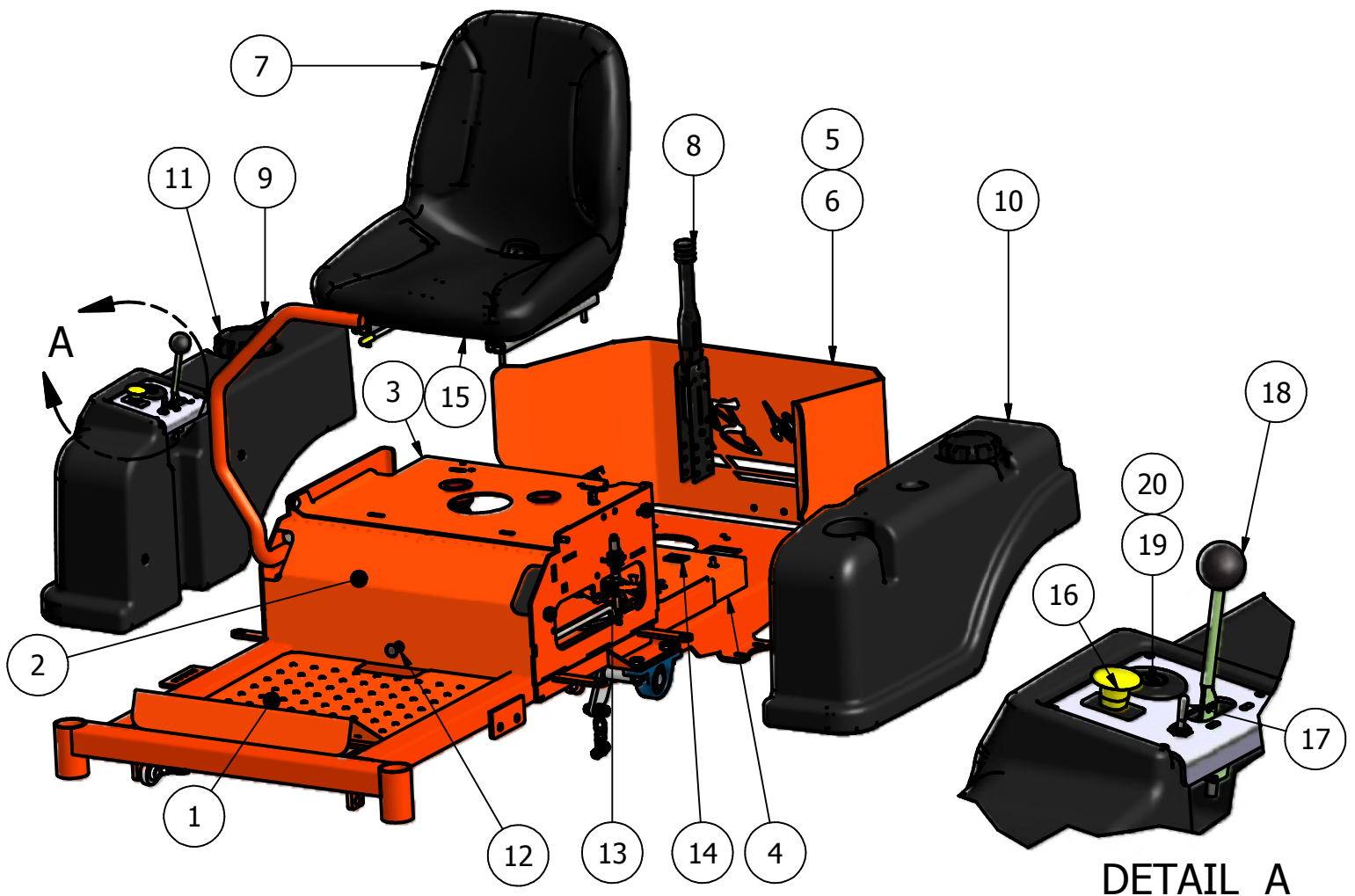


**23hp Vanguard
26 Briggs Intek
27hp Kohler**



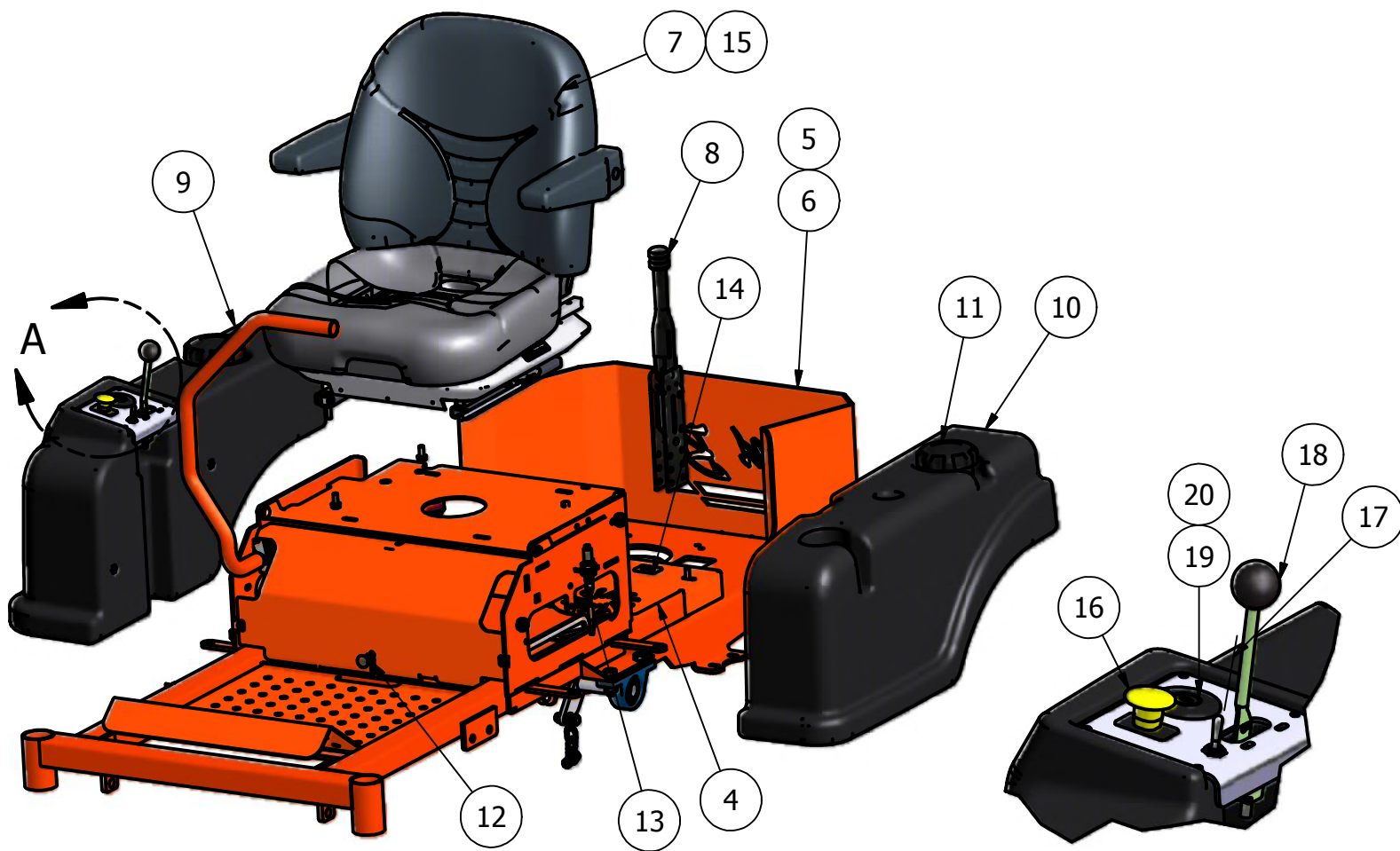
www.badboymowers.com

Seats and Tanks	3,4
Transaxle	5
Front Wheel	6
Actuator Bar	7
Engine/Clutch	8,9
Steering Controls	10
Battery/Actuator (Deck Lift)	11
36" Deck	12,13
50" Deck	14,15
60" Deck	16,17
Wiring Schematics	18,19



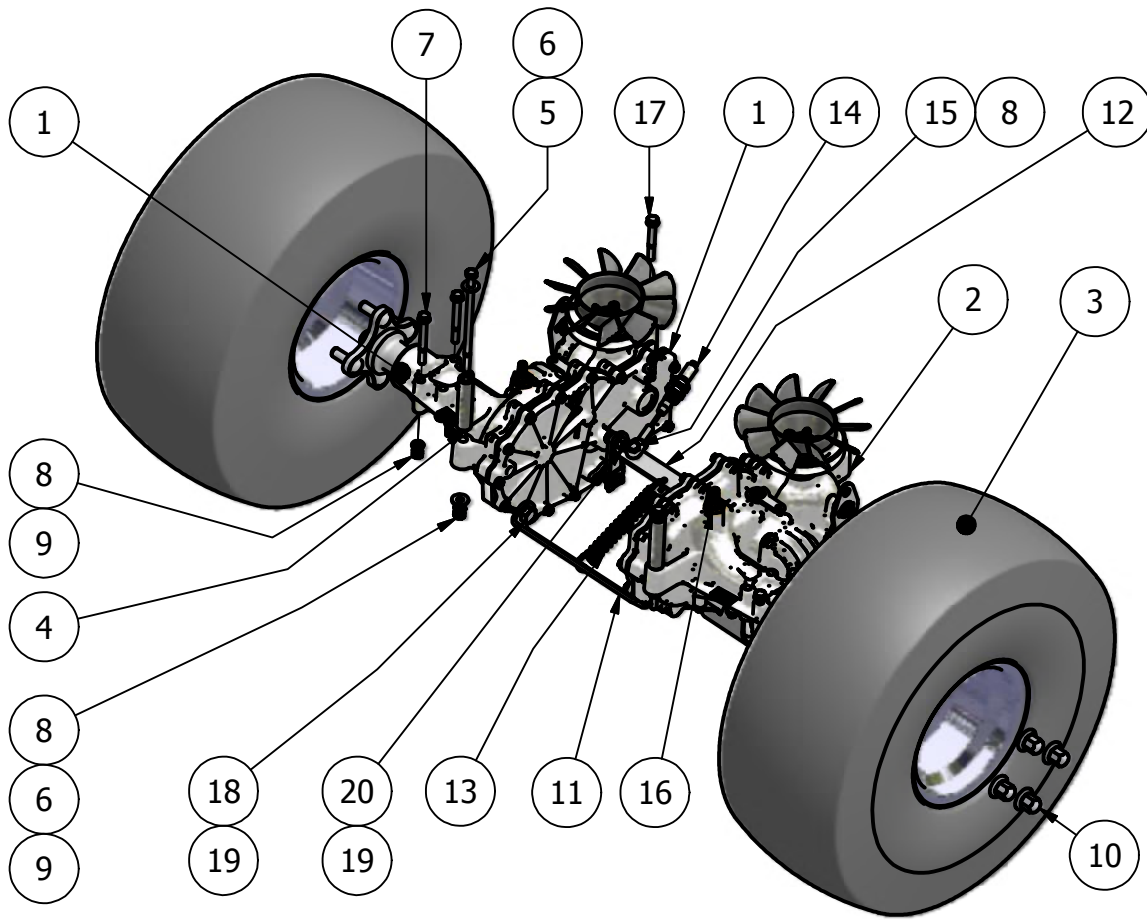
DETAIL A

Seat and Tanks			
ITEM	QTY	PART NUMBER	DESCRIPTION
1	1	79-3407-00	ZT Floor Panel
2	1	014-3400-00	Cooler Cover
3	1	026-1000-00	Seat Mounting Plate
4	1	026-0052-00	Fan Cover
5	1	026-0053-00	ZT Rear Plate 26HP
6	1	026-0054-00	ZT Rear Plate 23HP
7	1	071-8090-00	Seat Assembly
8	1	069-8054-00	Hand Brake
9	1	067-7000-00	Right Tank
10	1	067-7001-00	Left Tank
11	2	066-8076-00	Fuel Cap
12	1	054-8017-00	Choke
13	1	064-8055-00	Brake Cable
14	1	083-4013-00	Tachometer
15	1	071-8061-00	Seat Safety Switch
16	1	056-8058-00	PTO Engager
17	1	078-8077-00	Deck LIFT
18	1	055-8020-00	Throttle
19	1	077-8076-00	Ignition Switch
20	1	042-9000-00	Key

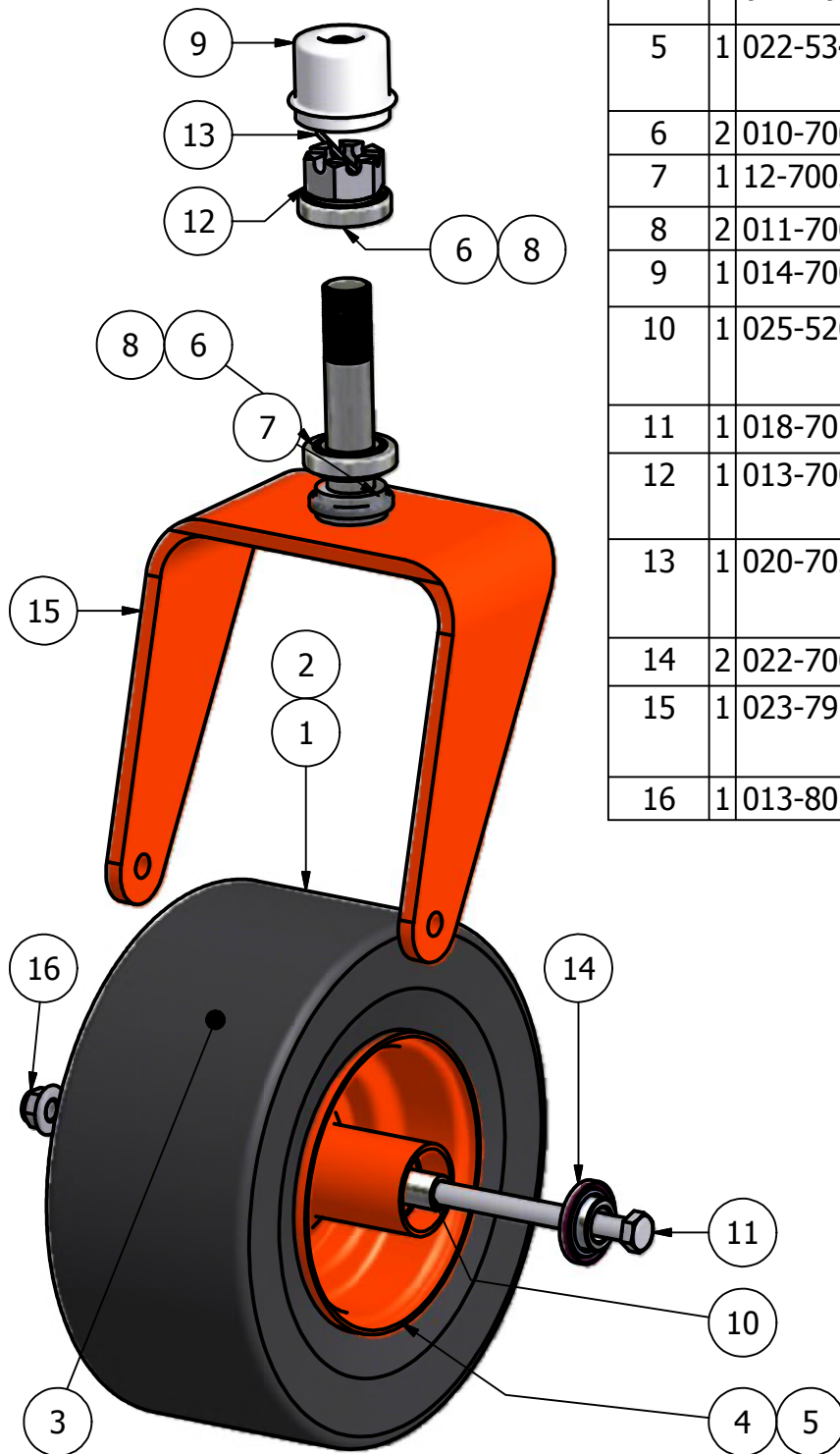


DETAIL A

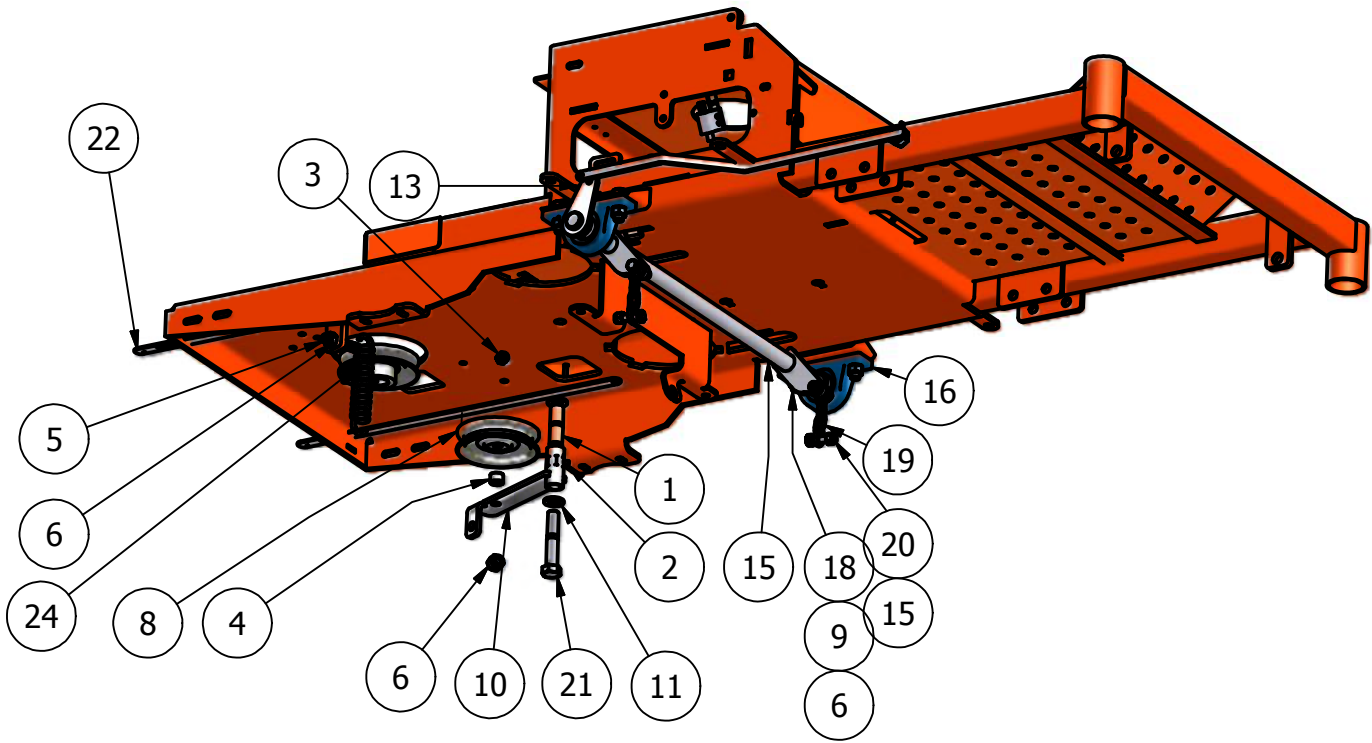
Parts List			
ITEM	QTY	PART NUMBER	DESCRIPTION
1	1	079-3407-00	ZT Floor Panel
2	1	014-3400-00	Cooler Cover
3	1	026-1000-00	Seat Mounting Plate
4	1	026-0052-00	Fan Cover
5	1	026-0053-00	ZT Rear Plate 26hp
6	1	026-0054-00	ZT Rear Plate 23hp
7	1	071-2010-00	Seat Assembly
8	1	069-8054-00	Hand Brake
9	1	067-7000-00	Right Tank
10	1	067-7001-00	Light Tank
11	2	066-8076-00	Fuel Cap
12	1	054-8017-00	Choke
13	1	064-8055-00	Brake Cable
14	1	083-4013-00	Tachometer
15	1	071-8061-00	Seat Safety Switch
16	1	056-8058-00	Pto Engager
17	1	078-8077-00	Deck Lift
18	1	055-8020-00	Throttle
19	1	077-8076-00	Ignition
20	1	042-9000-00	Key



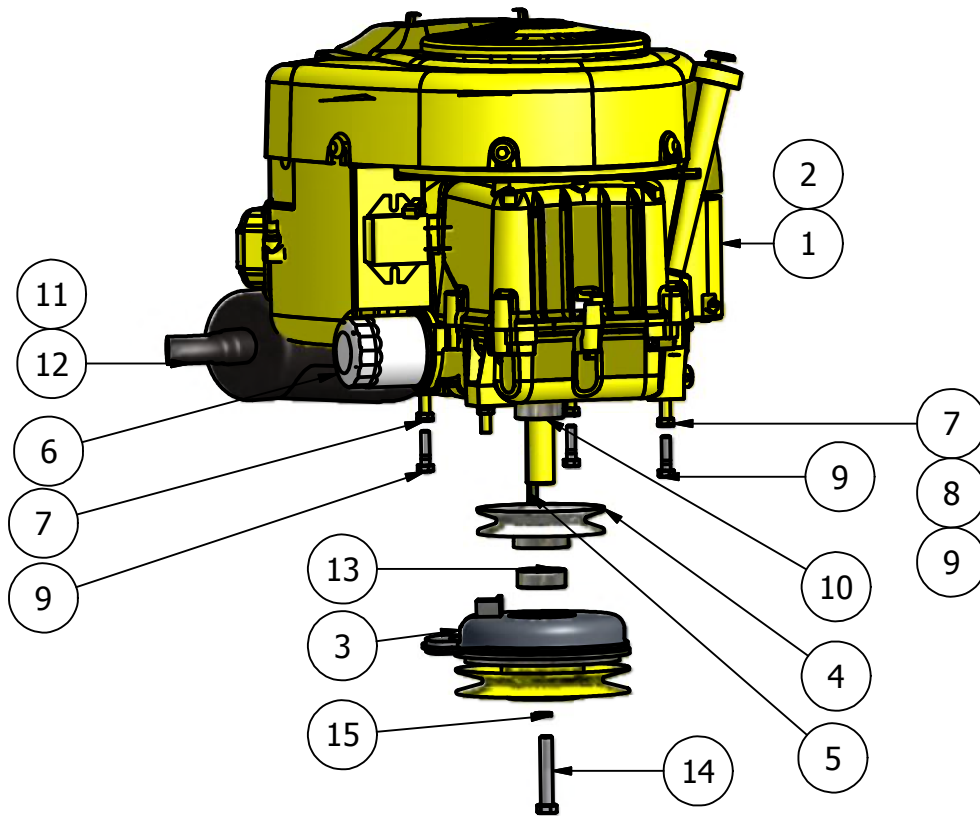
Trans Axle			
ITEM	QTY	PART NUMBER	DESCRIPTION
1	1	050-2081-00	Axle-Left
2	1	050-2080-00	Axle-Right
3	2	022-6000-00	Tire and Rim
4	2	025-5340-00	3 1/4" Transaxle Spacer
5	2	018-5355-00	5/16" x 6 " Hex Bolt
6	4	019-8051-00	5/16 Lock Washer
7	4	018-4701-00	5/16" x 3" Hex Bolt
8	9	013-8043-00	5/16 Hex Nut
9	12	019-8044-00	5/16" Flat Washer
10	8	013-3000-00	1/2" Acorn Lug Nut
11	1	039-0053-00	Crossover Brake Bracket
12	1	028-4801-00	Crossover Bar
13	1	034-9000-00	Spring
14	1	064-8055-00	Brake Cable
15	1	018-8063-00	5/16" x 3/4" Hex Bolt
16	2	024-1200-00	45 degree fitting
17	2	018-5344-00	5/16" x 2 1/2" Hex Bolt
18	2	018-3000-00	3/8" x 2" Hex Bolt
19	4	013-5041-00	3/8" Nylock Nut
20	2	018-6049-00	3/8" x 1" Hex Bolt



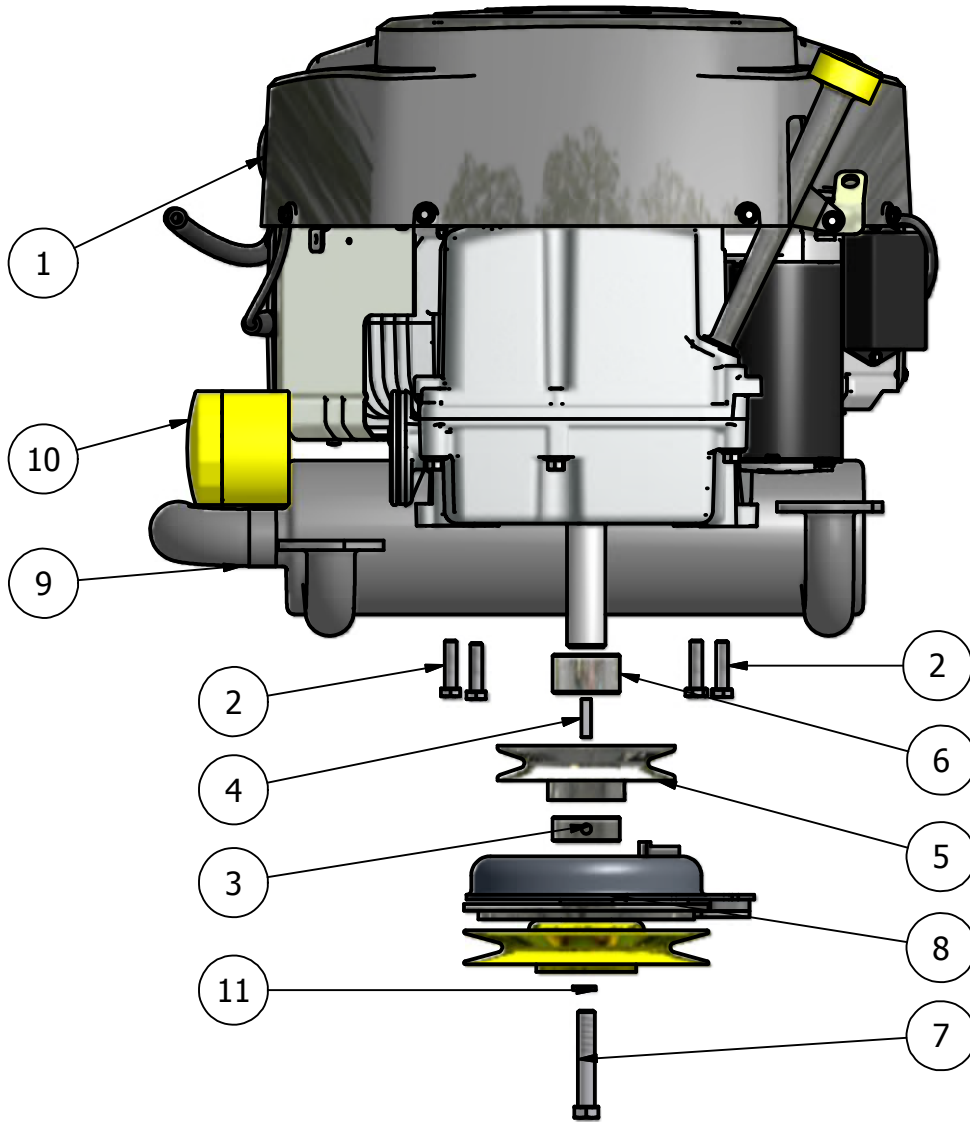
Parts List		
ITEM	PART NUMBER	DESCRIPTION
1	1 022-2006-00	13 x 6.5- 6" Tire and Wheel Assembly
2	1 022-2003-00	13 x 6.5-6" Assembly for 36" ZT
3	1 022-5347-00	13 x 6.5-6" Tire ONLY
4	1 022-7002-00	6" Wheel ONLY
5	1 022-5348-00	6" Silver Wheel for 36" ZT
6	2 010-7001-00	Bearing
7	1 12-7003-00	Seal
8	2 011-7002-00	Race
9	1 014-7005-00	Dust Cover
10	1 025-5202-00	Wheel Spacer
11	1 018-7010-00	1/2" x 9" Bolt
12	1 013-7004-00	1" Fine Threaded Castle Nut
13	1 020-7022-00	1/8" x 2 1/4" Cotter #8
14	2 022-7009-00	Wheel Bearing
15	1 023-7913-00	Front Fork with Spindle
16	1 013-8050-00	1/2" Flange Lock Nut



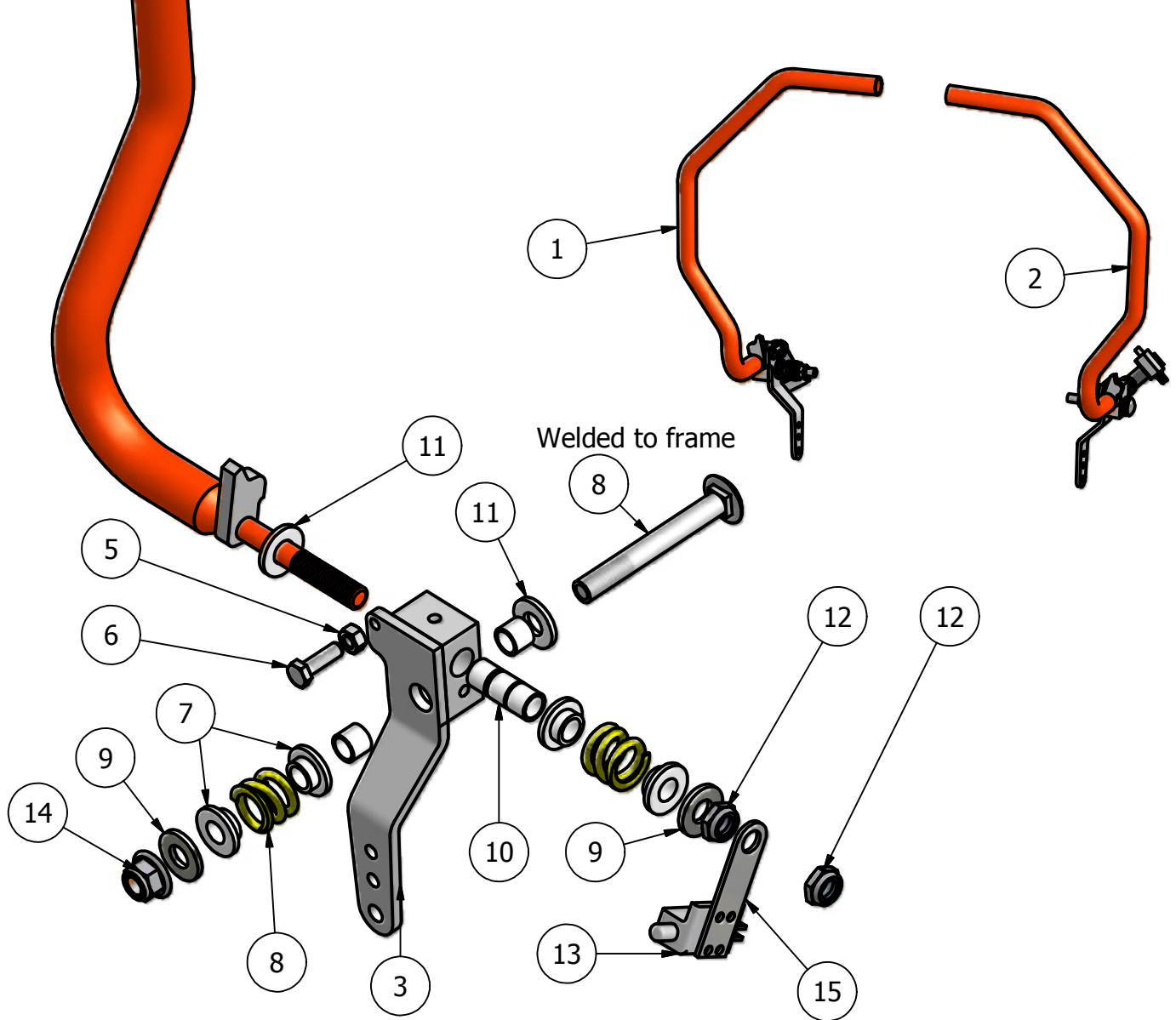
Actuator Bar			
ITEM	QTY	PART NUMBER	DESCRIPTION
1	2	032-6033-00	Bronze Bushing
2	1	024-6034-00	Grease Fitting
3	1	018-5049-00	1/2" x 2" Bolt
4	1	025-7036-00	1/2" Spacer
5	1	018-2004-00	Spring Tensioner
6	6	013-7018-00	1/2" Hex Nut
7	1	034-5039-00	Pump Idler Spring
8	1	033-6001-00	4 3/4" Idler Pulley
9	5	019-5007-00	1/2" Lock Washer
10	1	039-5944-00	Pump Idler Bracket
11	2	019-6017-00	5/8" Nylon Washer
12	1	013-7021-00	5/8" Nylock Nut
13	1	031-7000-00	Height Indicator Lever
14	1	028-4020-00	Actuator Bar - Transaxle
15	4	013-5041-00	3/8" Nylock Nut
16	2	017-7008-00	Pillow Block Bearing
17	4	018-5006-00	1/2" x 1 1/2" Hex Bolt
18	2	047-6047-00	Deck Chain
19	4	018-6012-00	3/8" x 1 1/2" Bolt
20	1	018-5311-00	5/8" x 4" Hex Bolt



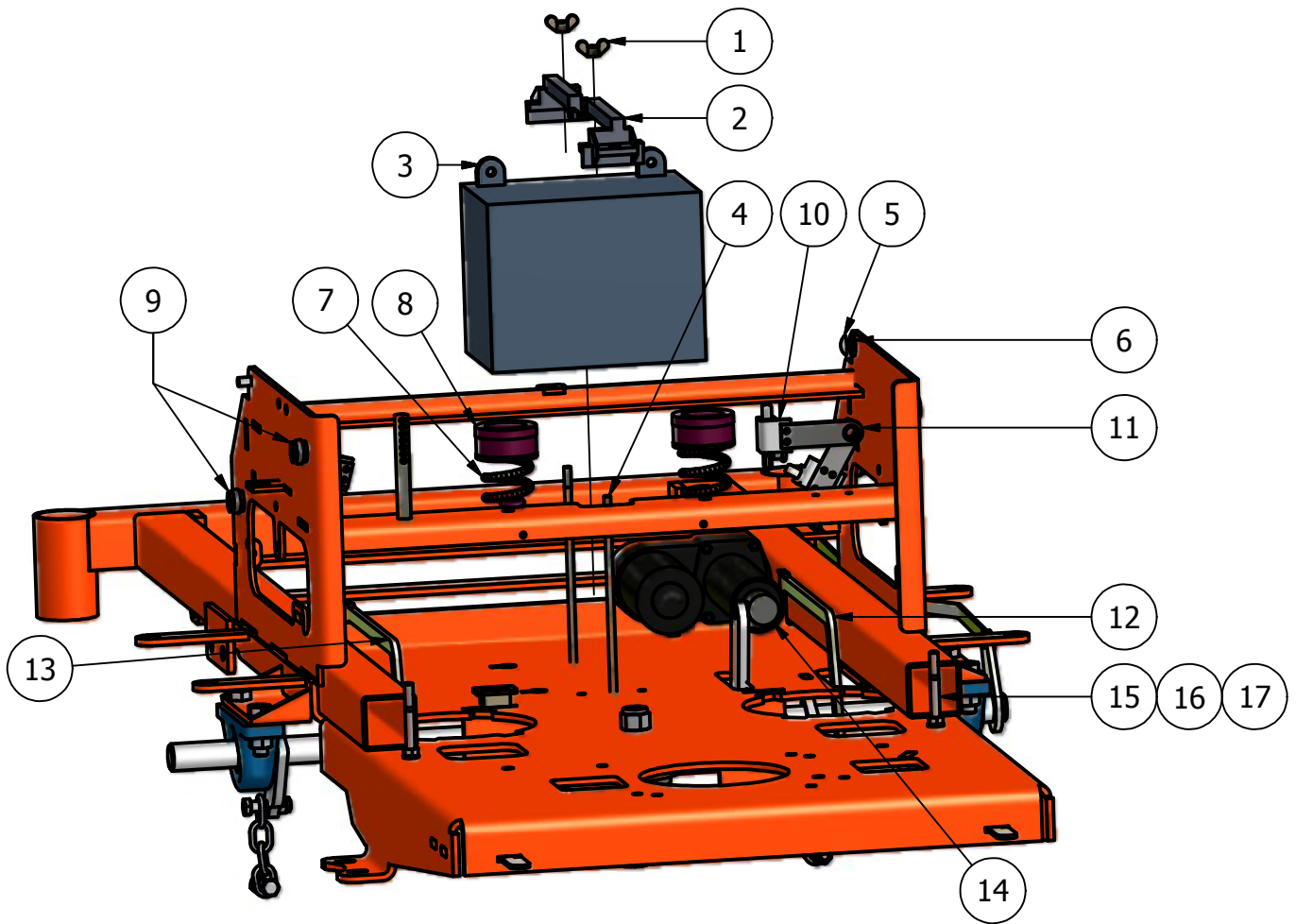
Engine / Clutch			
ITEM	QTY	PART NUMBER	DESCRIPTION
1	1	015-0026-00	26HP Briggs Intek Engine
2	1	015-0023-00	23HP Briggs Vanguard
3	1	070-1000-00	Clutch
4	1	033-5034-01	4 3/4" Motor Pulley
5	1	042-6030-00	1/4" x 1" SquareKey
6	1	063-2004-00	Briggs Intek Oil Filter
7	3	013-8043-00	5/16" Hex Nut
8	3	019-8051-00	5/16" Lock Washer
9	3	018-5025-00	5/16" x 1 1/4" Hex Bolt
10	1	025-5032-00	1 1/8 collar spacer
11	1	015-0027-00	26 HP Exhaust
12	1	015-0033-00	23 HP Exhaust
13	1	025-5337-00	Pup pulley spacer 1.125
14	1	018-5300-00	7/16" x 2 1/2" Hex Bolt
15	2	019-8051-00	5/16" Lock Washer



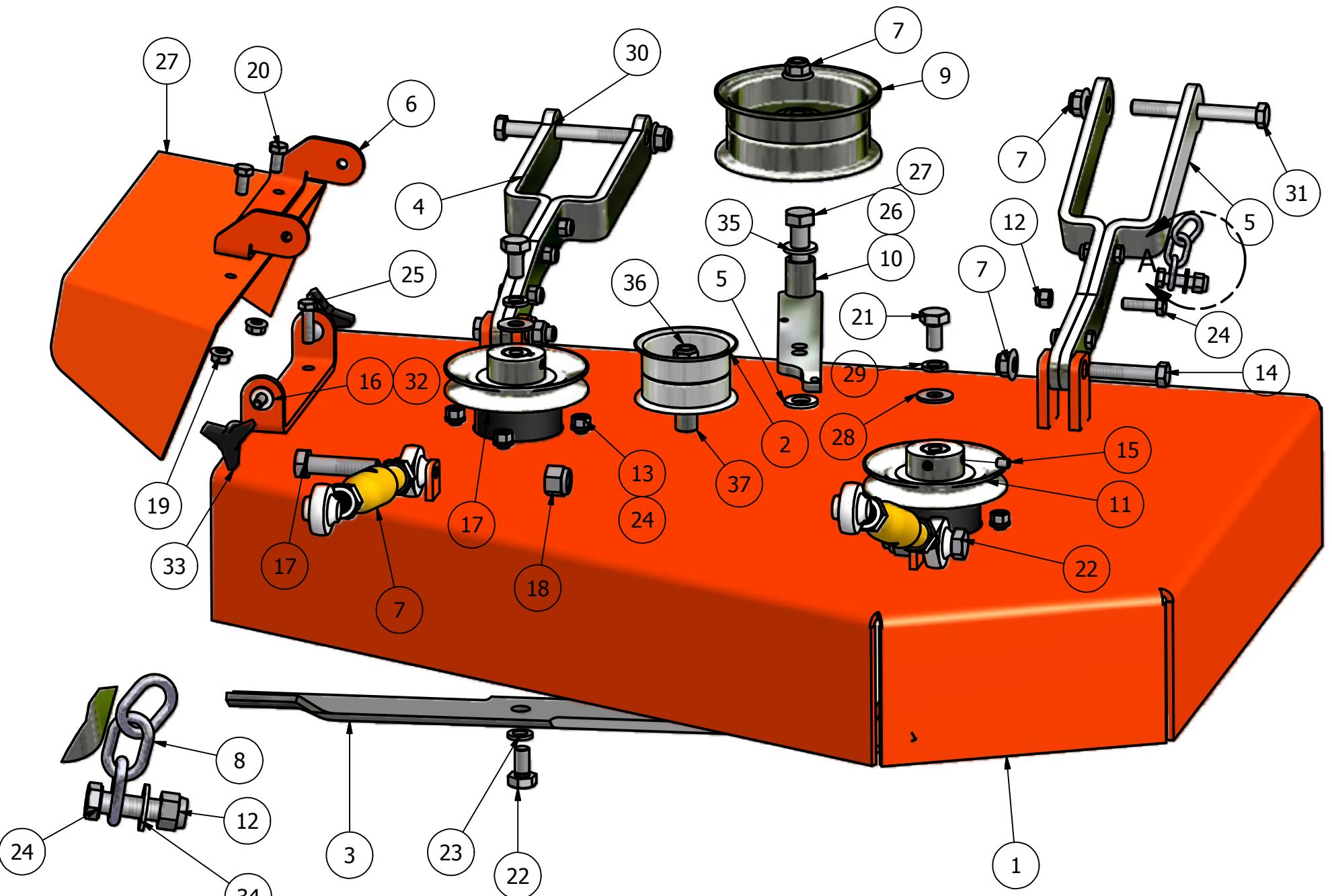
Parts List			
ITEM	QTY	PART NUMBER	DESCRIPTION
1	1	015-2700-00	27HP Kohler Courage
2	4	018-5051-00	3/8" x 1 1/8" Engine Bolt
3	1	025-5032-00	1 1/8" Collar Spacer
4	1	042-6030-00	1/4" x 1" Key
5	1	033-5034-00	4 3/4" Motor Pulley
6	1	025-6000-00	1 1/8" Clutch Spacer
7	1	018-5300-00	7/16" x 2 1/2" Hex Bolt
8	1	070-1000-00	Clutch
9	1	015-2750-00	27HP Exhaust
10	1	063-4050-00	27HP Kohler Oil Filter
11	1	019-8051-00	7/16" Lock Washer



Drive Levers			
ITEM	QTY	PART NUMBER	DESCRIPTION
1	1	031-8822-00	Right Drive Lever
2	1	031-8821-00	Left Drive Lever
3	1	027-9001-00	Drive Arm Lever Housing - Right
4	1	027-9000-00	Drive Arm Lever Housing - Left
5	1	013-8043-00	5/16" Hex Nut
6	1	013-8063-00	5/16"x 3/4" Hex Bolt
7	4	019-8027-00	Nylon Washer .515 ID Shoulder
8	2	034-8025-00	Spring
9	2	019-8052-00	7/16 Flat Washer
10	5	032-8024-00	Nylon Bushing .507 ID
11	2	019-8054-00	.505 Nylon Washer
12	2	018-4010-00	1/2" Nylcock Nut (1/2 Jam)
13	1	077-8073-00	Electric Saftey Switch
14	1	013-8050-00	1/2" Flange Lock Nut
15	1	039-0021-00	Switch Bracket



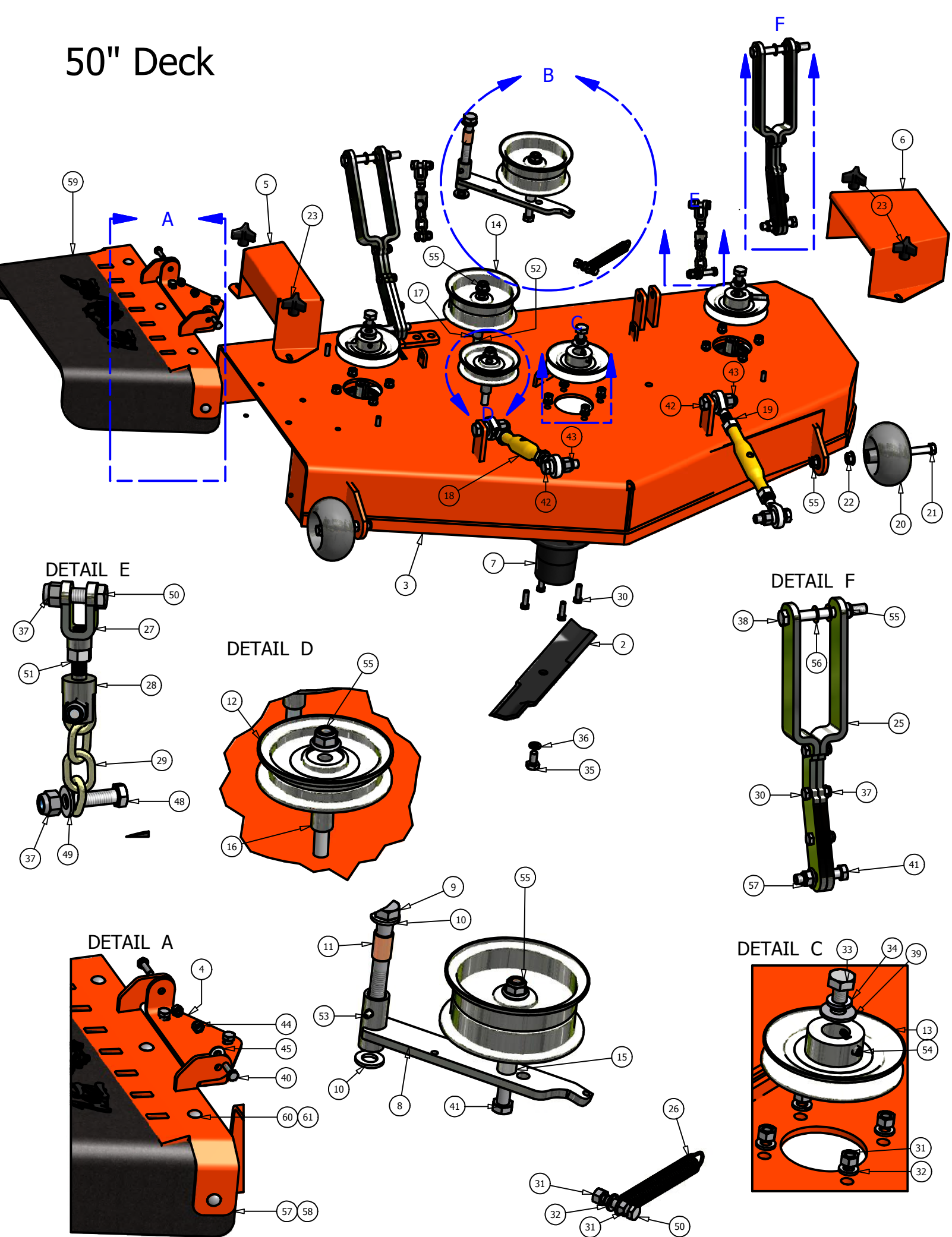
Battery / Actuator			
ITEM	QTY	PART NUMBER	DESCRIPTION
1	2	013-8051-00	1/4" Battery Wing Nut
2	2	043-8929-00	Battery Holder
3	1	068-8049-00	Battery
4	2	018-8062-00	Stove Bolt
5	2	018-8062-00	5/16" x 3/4" Carriage Bolt
6	2	019-6042-00	.360" ID Nylon Washer
7	2	034-8045-00	Seat Spring
8	2	014-8047-00	Seat Bumper
9	6	025-2000-00	1/2" Tank Spacer
10	2	077-8073-00	Switch
11	2	039-0021-00	Switch Bracket
12	1	035-5400-00	Transaxle Drive Rod Right
13	1	035-5401-00	Transaxle Drive Rod Left
14	1	035-7033-00	Actuator
15	2	018-4701-00	5/16" x 3" Hex Bolt
16	2	019-8051-00	5/16" Lock Washer
17	2	013-8043-00	5/16" Nut



DETAIL A
SCALE 0.44 : 1

Parts List			
ITEM	QTY	PART NUMBER	DESCRIPTION
1	1	060-3500-00	36" Inch ZT Deck
2	1	033-4000-00	36" ZT Idler Pulley
3	2	038-3010-00	36" Fusion Blade
4	2	031-6000-00	Deck Support Arm (Left)
5	2	031-6000-00	Deck Support Arm (Righth)
6	1	039-4860-00	Discharge Chute Bracket
7	2	048-6056-00	Turnbuckle
8	2	047-6047-00	3" Chain
9	1	033-5001-00	5 3/4" Flat Idler Pulley
10	1	039-6936-00	Deck Idler Arm
11	2	033-6003-00	5" Deck Pulley
12	9	013-5041-00	3/8 Nylock Nut
13	10	013-6014-00	3/8" Hex Bolt
14	3	018-6036-00	1/2"x2 1/2" Hex Bolt
15	2	030-6029-00	3/8" Set Screw
16	2	019-6042-00	.360 ID Plastic Washer
17	2	018-6059-00	5/8" x 2 1/2" Hex Bolt
18	2	013-7021-00	5/8" Nylock Nut
19	2	013-5201-00	3/8" Flange Nut
20	2	018-5250-00	3/8" x 3/4" Hex Bolt
21	2	018-5006-00	1/2"x 1 1/2" Fine Threaded Bolt
22	2	018-6021-00	5/8" x 1 1/2" Fine Threaded Bolt
23	2	019-4807-00	5/8" Lock Washer
24	9	019-5037-00	3/8" Lock Washer
25	18	018-5040-00	3/8" x 1 1/4" Hex Bolt
26	2	032-6033-00	5/8" ID x 1 1/8" Brass Bushing
27	1	018-5311-00	5/8" x 4" Hex Bolt
28	2	019-6020-00	1/2" Cup Washer
29	2	019-5007-00	1/2" Lock Washer
30	4	019-5010-00	1/2" Brass Bushing
31	2	018-7050-00	1/2"x4 1/2" Bolt
32	2	018-8065-00	5/16"x 1" Carriage Bolt
33	2	045-6043-00	5/16" Knob
34	2	019-5050-00	3/8" Washer
35	2	019-6017-00	.635 Nylon Washer
36	6	013-8050-00	1/2" Flange Lock Nut
35	3	047-6047-00	3" Chain Assembly
36	1	019-5050-00	3/8" Fiber Washer
37	1	025-5000-00	2.313 Spacer

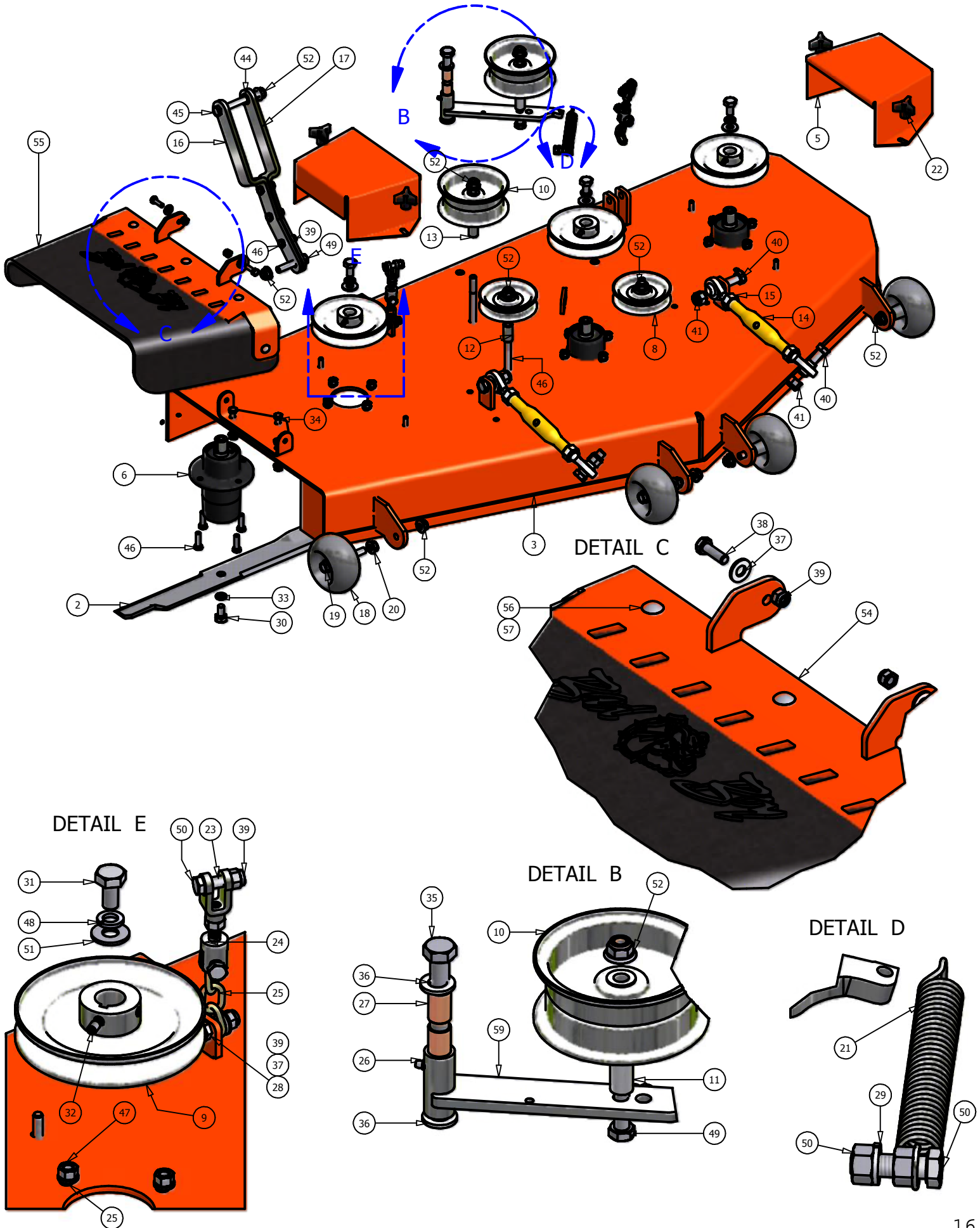
50" Deck



50" Deck

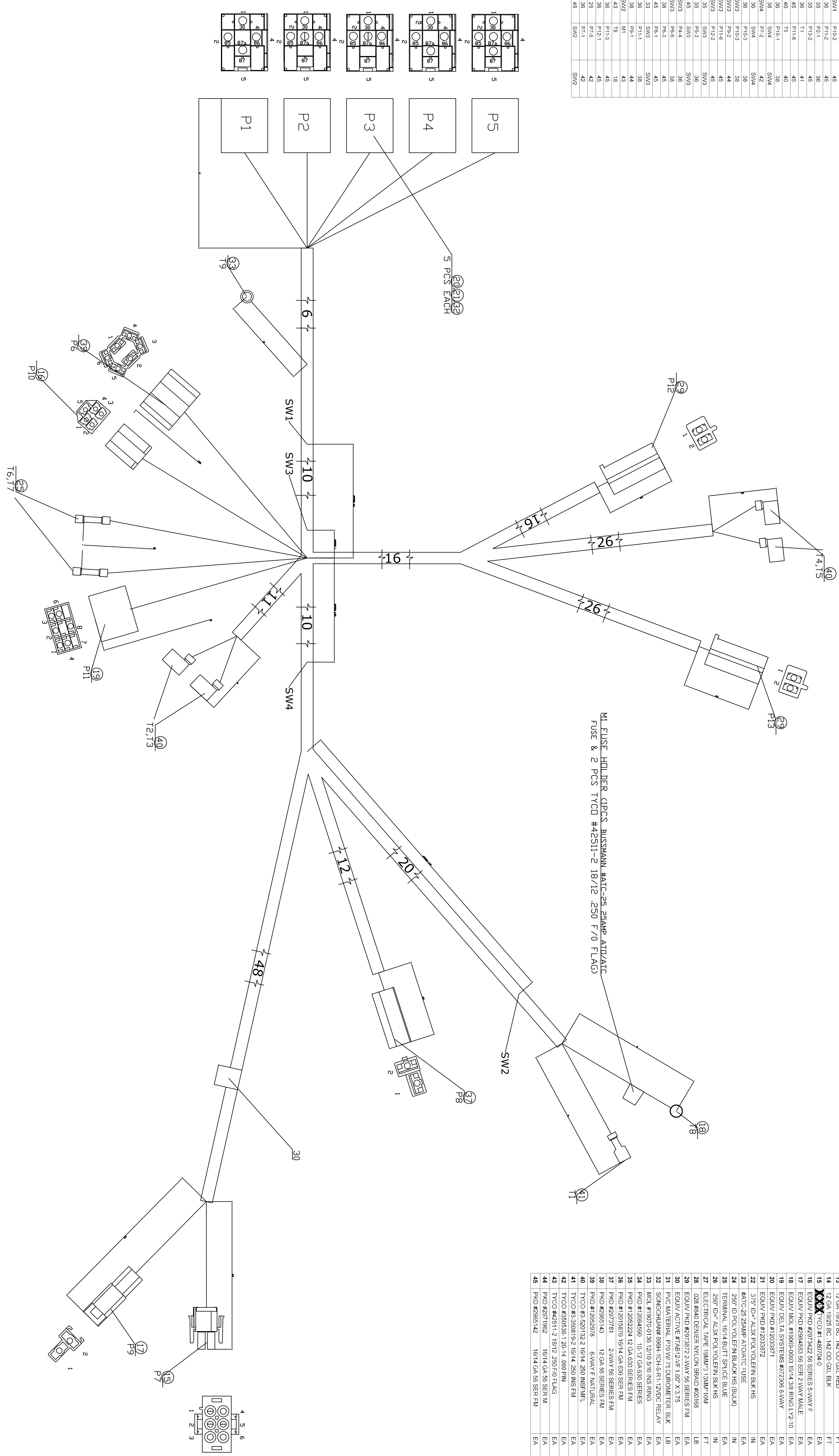
ITEM	QTY	PART NUMBER	DESCRIPTION
1	1	041-1420-00	50" Deck Belt
2	3	038-5350-00	50" Fusion Blade
3	1	060-4800-00	50" Deck
4	1	206-6017-00	Discharge Chute Hanger
5	1	014-4801-00	Spindle Cover
6	1	014-6004-00	Spindle Cover
7	3	037-6015-00	Spindle
8	1	039-6936-00	Deck Idler Arm
9	1	018-5311-00	5/8" x 4" Hex Bolt
10	2	019-6017-00	.635 ID Plastic Washer
11	2	032-6033-00	5/8" ID x 1 1/8" Brass Bushing
12	1	033-6001-00	4 3/4" Idler Pulley
13	3	033-6003-01	5" Deck Pulley
14	2	033-5001-00	5 3/4" Deck Idler Pulley
15	1	025-5337-00	1 1/4" Pulley Spacer
16	1	025-5338-00	Pup Pulley Spacer
17	1	025-5339-00	1 3/4" Pulley Spacer
18	2	048-6056-00	Turnbuckle
19	2	013-6058-00	3/4" Left Handed Nut
20	4	022-5234-00	Anti-Scalp Rollers
21	4	018-5019-00	1/2" x 4" Bolt (Grade 8)
22	4	013-5300-00	1/2" Flange Nut
23	4	045-6043-00	5/16" Knob
25	2	031-6000-00	Deck Support Arm
26	1	034-9035-00	Deck Idler Spring
27	2	046-6044-00	Female Yoke
28	2	046-6048-00	Male Yoke
29	2	047-6047-00	3" Chain
30	18	018-5040-00	3/8" x 1 1/4" Hex Bolt
31	14	013-6014-00	3/8" Hex Nut
32	13	019-5037-00	3/8" Lock Washer
33	3	018-5006-00	1/2" x 1 1/2" Bolt Fine Threaded
34	3	019-5007-00	1/2" Lock Washer
35	3	018-6021-00	5/8" x 1.5" Fine Threaded Bolt
36	3	019-4807-00	5/8" Lock Washer
38	2	018-7050-00	1/2" x 4 1/2" Bolt
39	3	019-6020-00	1/2" Cup Washer
40	6	018-5015-00	5/16" x 1" Hex Bolt
41	3	018-6036-00	1/2" x 2 1/2" Hex Bolt
42	4	018-6059-00	5/8" x 2 1/2" Hex Bolt
43	5	013-7021-00	5/8 Std NC Nylock Nut
44	14	013-8047-00	5/16" Nylock Nut
45	2	019-6042-00	.360 ID Plastic Washer
46	3	018-5250-00	3/8" x 3/4" Hex Bolt
47	3	013-5201-00	3/8" Flange Nut
48	2	018-6049-00	3/8" x 1" Hex Bolt
49	2	019-5029-00	3/8" Flat Washer
50	5	018-6012-00	3/8" x 1 1/2" Hex Bolt
51	2	013-6051-00	3/8" Fine Threaded Jam Nut
52	2	018-6054-00	1/2" x 3 1/2" Bolt
53	1	024-6034-00	Grease Fitting (Drive-In Type)
54	3	030-6054-00	Seat Scerw
55	11	013-8050-00	1/2" Flange Lock Nut
56	4	019-5010-00	1/2" Brass Washer
57	1	039-4870-00	2007 Hanger Plate
58	1	039-4871-00	2007 Lower Hanger Plate
59	1	210-6005-00	Rubber Side Discharge
60	5	018-5020-00	5/16" x 1 1/2" Carriage Bolt
61	5	013-8049-00	5/16" Nylock Flange Nut

60" Deck



60 Inch Deck Parts List			
ITEM	QTY	PART NUMBER	DESCRIPTION
1	1	041-1650-00	60" Deck Belt
2	3	038-6060-00	60" Fusion Blade
3	1	060-5403-00	60" Deck
4	1	206-6017-00	Dischage Chute Hander
5	2	014-6004-00	Pulley Guard
6	3	037-6015-00	Spindle
7	1	039-6936-00	Deck Idler Pully
8	2	033-6001-00	4 3/4" Idler Pulley
9	3	033-6004-00	6 1/4" Drive Pulley
10	2	033-5001-00	5 3/4" Flat Idler Pulley
11	1	025-5337-00	1 1/4" Pulley Spacer
12	2	025-5338-00	Pup Pulley Spacer
13	1	025-5339-00	1 3/4" Pulley Spacer
14	2	048-6056-00	Turnbuckle
15	2	013-6058-00	3/4" Left Hand Nut
16	2	031-6027-00	Deck Support Arm (Left)
17	2	031-6028-00	Deck Support Arm(Right)
18	6	022-5234-00	Anti-Scalp Roller
19	6	018-5019-00	1/2"x4" Bolt (Grade8)
20	6	013-5300-00	1/2" Flange Nut
21	1	034-9050-00	Deck Idler Spring
22	4	045-6043-00	5/16" Knob
23	2	046-6044-00	Female Yoke
24	2	046-6048-00	Male Yoke
25	2	047-6047-00	3" Chain
26	1	024-6034-00	Grease Fitting
27	2	032-6033-00	5/8" ID x 1 1/8" Brass Bushing
28	2	018-6049-00	3/8" x 1" Hex Bolt
30	13	019-5037-00	3/8" Lock Washer
29	3	018-6021-00	5/8" x 1 1/2" Fine Threaded Bolt
31	3	018-5006-00	1/2" x 1 1/2" Bolt
32	3	030-6029-00	3/8" Set Screw
33	3	019-4807-00	5/8" Lock Washer
34	3	018-5250-00	3/8" x 3/4" Hex Bolt
35	1	018-5311-00	5/8" x 4" Hex Bolt
36	2	019-6017-00	.635 ID Plastic Washer
37	2	019-6042-00	.360 Id Plastic Washer
38	2	018-5015-00	5/16" x 1" Hex Bolt
39	15	013-7021-00	5/16" Nylock Nut
40	4	018-6059-00	5/8" x 2 1/2" Bolt
41	4	013-7021-00	5/8" Nylock Nut
42	3	018-6054-00	1/2" x 3 1/2" Hex Bolt
43	4	019-5010-00	1/2" Brass Washer
44	2	018-7050-00	1/2" x 4 1/2" Bolt
45	18	018-5040-00	3/8" x 1 1/4" Hex Bolt
46	14	013-6014-00	3/8" Hex Nut
47	3	019-5007-00	1/2" Lock Washer
48	2	018-6036-00	1/2" x 2 1/2" Hex Bolt
49	5	018-6012-00	3/8" x 1 1/2" Hex Bolt
50	3	019-6020-00	1/2" Cupped Washer
51	13	013-8050-00	1/2" Flange Lock Nut
52	1	039-4863-00	2007 Lower Hanger
53	1	039-4864-00	2007 Hanger Plate
54	1	210-6005-00	Rubber Side Discharge
55	5	018-5020-00	5/16" x 1 1/2" Carriage Bolt
56	5	013-8049-00	5/16" Nylock Flange Nut
57	1	018-7016-00	1/2" x 3" Bolt
58	3	013-5201-00	3/8" Flange Nut
59	1	019-5029-00	3/8" Flat Washer

CIR#	GAGE	CLR	From		TO
			LOCATION	TERMINAL	
1	16 GA	VEL	PH-1	35	P2-2
2	16 GA	VEL	PH-1	35	13
3	16 GA	VEL	SW1	17	25
4	16 GA	VEL	SW1	17	26
5	16 GA	VEL	SW1	17	27
6	16 GA	VEL	SW1	17	28
7	16 GA	VEL	SW1	17	29
8	16 GA	VEL	SW1	17	30
9	16 GA	VEL	SW1	17	31
10	16 GA	VEL	SW1	17	32
11	16 GA	VEL	SW1	17	33
12	16 GA	VEL	SW1	17	34
13	16 GA	VEL	SW1	17	35
14	16 GA	VEL	SW1	17	36
15	16 GA	VEL	SW1	17	37
16	16 GA	VEL	SW1	17	38
17	16 GA	VEL	SW1	17	39
18	16 GA	VEL	SW1	17	40
19	16 GA	VEL	SW1	17	41
20	16 GA	VEL	SW1	17	42
21	16 GA	VEL	SW1	17	43
22	16 GA	VEL	SW1	17	44
23	16 GA	VEL	SW1	17	45
24	16 GA	VEL	SW1	17	46
25	16 GA	VEL	SW1	17	47
26	16 GA	VEL	SW1	17	48
27	16 GA	VEL	SW1	17	49
28	16 GA	VEL	SW1	17	50
29	16 GA	VEL	SW1	17	51
30	16 GA	VEL	SW1	17	52
31	16 GA	VEL	SW1	17	53
32	16 GA	VEL	SW1	17	54
33	16 GA	VEL	SW1	17	55
34	16 GA	VEL	SW1	17	56
35	16 GA	VEL	SW1	17	57
36	16 GA	VEL	SW1	17	58
37	16 GA	VEL	SW1	17	59
38	16 GA	VEL	SW1	17	60
39	16 GA	VEL	SW1	17	61
40	16 GA	VEL	SW1	17	62
41	16 GA	VEL	SW1	17	63
42	16 GA	VEL	SW1	17	64
43	16 GA	VEL	SW1	17	65
44	16 GA	VEL	SW1	17	66
45	16 GA	VEL	SW1	17	67
46	16 GA	VEL	SW1	17	68
47	16 GA	VEL	SW1	17	69
48	16 GA	VEL	SW1	17	70
49	16 GA	VEL	SW1	17	71
50	16 GA	VEL	SW1	17	72
51	16 GA	VEL	SW1	17	73
52	16 GA	VEL	SW1	17	74
53	16 GA	VEL	SW1	17	75
54	16 GA	VEL	SW1	17	76
55	16 GA	VEL	SW1	17	77
56	16 GA	VEL	SW1	17	78
57	16 GA	VEL	SW1	17	79
58	16 GA	VEL	SW1	17	80
59	16 GA	VEL	SW1	17	81
60	16 GA	VEL	SW1	17	82
61	16 GA	VEL	SW1	17	83
62	16 GA	VEL	SW1	17	84
63	16 GA	VEL	SW1	17	85
64	16 GA	VEL	SW1	17	86
65	16 GA	VEL	SW1	17	87
66	16 GA	VEL	SW1	17	88
67	16 GA	VEL	SW1	17	89
68	16 GA	VEL	SW1	17	90
69	16 GA	VEL	SW1	17	91
70	16 GA	VEL	SW1	17	92
71	16 GA	VEL	SW1	17	93
72	16 GA	VEL	SW1	17	94
73	16 GA	VEL	SW1	17	95
74	16 GA	VEL	SW1	17	96
75	16 GA	VEL	SW1	17	97
76	16 GA	VEL	SW1	17	98
77	16 GA	VEL	SW1	17	99
78	16 GA	VEL	SW1	17	100



No.	DESCRIPTION	UOM	QTY	VNDR
1	16 GA 19229 BC 103 00 GQL BLK	FT	23.250	CHINA
2	16 GA 19229 BC 103 00 GQL BRN	FT	3.653	CHINA
3	16 GA 19229 BC 103 00 GQL YEL	FT	19.313	CHINA
4	16 GA 19229 BC 103 00 GQL BLU	FT	4.324	CHINA
5	16 GA 19229 BC 103 00 GQL ORG	FT	7.975	CHINA
6	16 GA 19229 BC 103 00 GQL WHI	FT	21.822	CHINA
7	16 GA 19229 BC 103 00 GQL RED	FT	5.921	CHINA
8	16 GA 19229 BC 103 00 GQL BKWHT	FT	9.521	CHINA
9	14 GA 19227 BC 117 00 GQL BLK	FT	6.417	CHINA
10	14 GA 19227 BC 117 00 GQL YEL/BLK	FT	7.644	CHINA
11	14 GA 19227 BC 117 00 GQL YEL	FT	14.053	CHINA
12	12 GA 19225 BC 142 00 GQL YEL	FT	2.177	CHINA
13	12 GA 19225 BC 142 00 GQL RED	FT	4.542	CHINA
14	12 GA 19225 BC 142 00 GQL BLK	FT	1.522	CHINA
15	TYCO #1-48704-0	EA	1.000	CHINA
16	EDUIV #PQD #297242 25 SERIES 5WAY F	EA	1.000	CHINA
17	EDUIV #PQD #297242 25 SERIES 5WAY F	EA	1.000	CHINA
18	EDUIV #MCL #19059 0003 5P/4 38 RINGLET/2-10	EA	1.000	CHINA
19	EDUIV #MCL #19059 0003 5P/4 38 RINGLET/2-10	EA	5.000	CHINA
20	EDUIV #PQD #297242 25 SERIES 5WAY F	EA	5.000	CHINA
21	EDUIV #PQD #297242 25 SERIES 5WAY F	EA	5.000	CHINA
22	3/75" ID* ALX3 POLYOLFIN BK/HS	IN	1.000	CHINA
23	#ATC-25 25AMP AT/ATC USE	EA	1.000	CHINA
24	2597 ID POLYOLFIN BLACK HS (BLK)	IN	1.500	CHINA
25	TERMINAL 16/14 BUTT SPICE BLUE	EA	2.000	CHINA
26	2597 ID* ALX3 POLYOLFIN BK/HS	IN	3.000	CHINA
27	ELECTRICAL TAPE 19MM*13MM*10M	FT	3.000	CHINA
28	028 #840 DENIER NYLON 9940 #20195	LB	0.512	CHINA
29	EDUIV #PQD #297242 25WAY 25 SERIES FIM	EA	2.000	CHINA
30	EDUIV ACTIVE #71812VF 109 X 3.75	EA	1.000	CHINA
31	PCA/DIA TERML #71812VF 109 X 3.75	EA	0.040	CHINA
32	PCA/DIA TERML #71812VF 109 X 3.75	EA	3.000	CHINA
33	MCL #19059 0003 5P/4 38 RINGLET/2-10	EA	1.000	USA
34	PQD #297242 25WAY 25 SERIES FIM	EA	1.000	USA
35	PQD #297242 25WAY 25 SERIES FIM	EA	3.000	USA
36	PQD #297242 25WAY 25 SERIES FIM	EA	17.000	USA
37	PQD #297242 25WAY 25 SERIES FIM	EA	1.000	USA
38	PQD #297242 25WAY 25 SERIES FIM	EA	5.000	USA
39	PQD #1202978 6WAY F NATURAL	EA	1.000	USA
40	TYCO #3-50813 2 18/14 250 NSF/FL	EA	4.000	USA
41	TYCO #3-50813 2 18/14 250 NSF/FL	EA	4.000	USA
42	TYCO #356538-1 20/14 088 FIM	EA	4.000	USA
43	TYCO #42511-2 18/12 250 F/0 FLAG	EA	2.000	USA
44	PQD #297182 16/14 GA 58 SER FIM	EA	2.000	USA
45	PQD #297182 16/14 GA 58 SER FIM	EA	18.000	USA

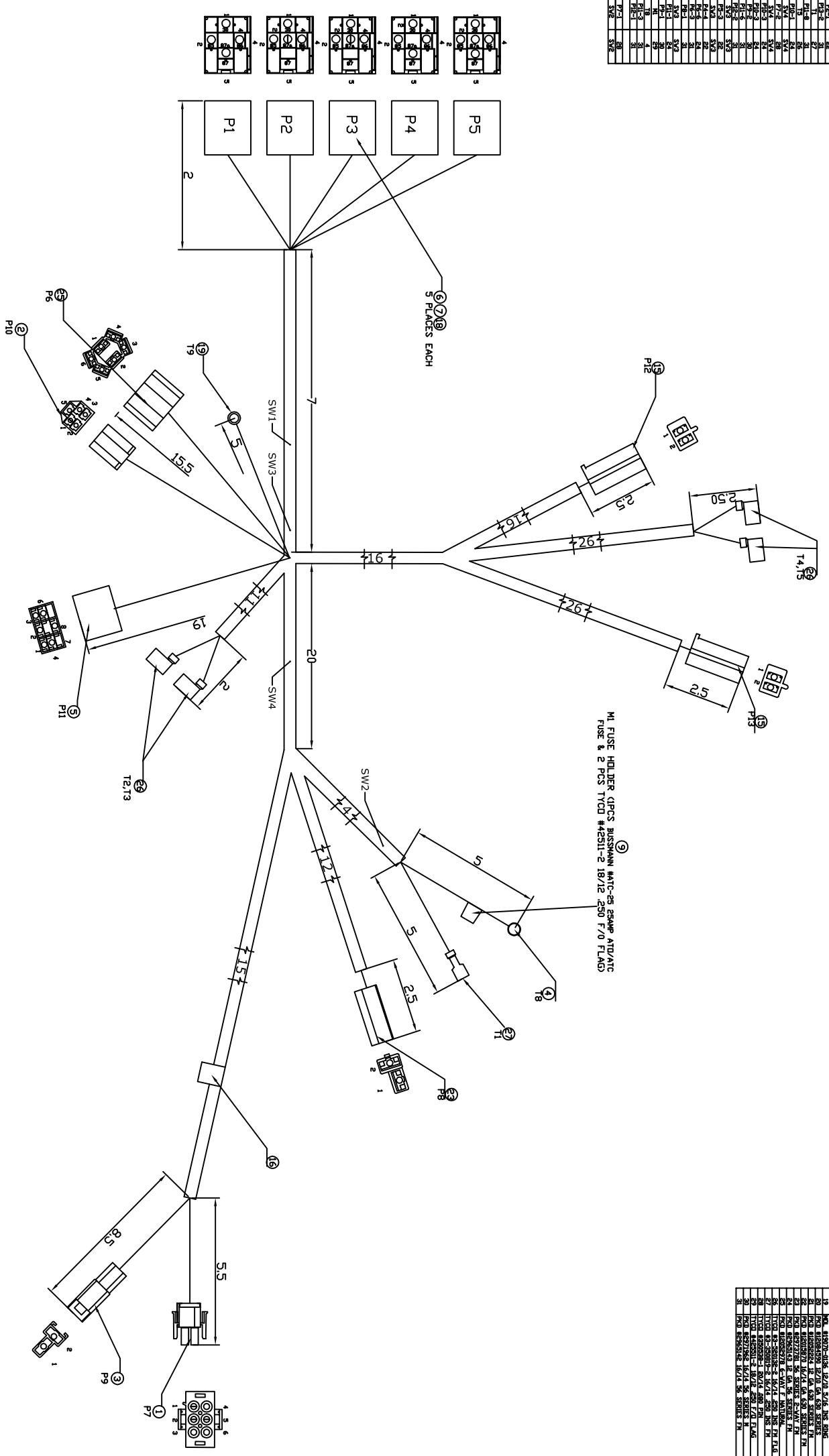
- NOTES:
1. ALL WIRES PER SAE J1128 GXL INSULATION COLOR AS INDICATED.
 2. ALL DIMENSION ARE IN INCHES.
 3. RELAY CONNECTORS MUST HAVE MOUNTING HOLE OF 1/4".

PCA DWG CHANGES	ENG APPR	QUAL APPR	VENDOR DATE	BY
REV A	RELEASED	BD	5/15/06	PDL

UNLESS OTHERWISE SPECIFIED DIMENSIONS ARE IN INCHES TOLERANCES ARE : DECIMALS: ±.063 ANGLES: ±5°		PCA DWG#		CUST P/N	
PCA DWG#	P-6002-FG-DWG	CUST P/N	086-2050-006	CUST REV	A
DRAWN BY:	LW	DATE:	5/15/06	PCA DWG#	P-6002-FG
OKD BY:	LW	DATE:	5/15/06	APPLICABLE SPECIFICATIONS:	PCA DWG REV A

PRECISION CABLE ASSEMBLIES	WIRE HARNESS
BROOKFIELD, WISCONSIN	CUSTOMER
	BAD BOY

CIRCUIT	GAUGE	COLOR	LOCATION	FROM	TO
1	18 GA	YELLOW	P-1	P-2	28
2	18 GA	YELLOW	P-1	P-3	28
3	18 GA	YELLOW	P-1	P-4	28
4	18 GA	YELLOW	P-1	P-5	28
5	18 GA	YELLOW	P-1	P-6	28
6	18 GA	YELLOW	P-1	P-7	28
7	18 GA	YELLOW	P-1	P-8	28
8	18 GA	YELLOW	P-1	P-9	28
9	18 GA	YELLOW	P-1	P-10	28
10	18 GA	YELLOW	P-1	P-11	28
11	18 GA	YELLOW	P-1	P-12	28
12	18 GA	YELLOW	P-1	P-13	28
13	18 GA	YELLOW	P-1	P-14	28
14	18 GA	YELLOW	P-1	P-15	28
15	18 GA	YELLOW	P-1	P-16	28
16	18 GA	YELLOW	P-1	P-17	28
17	18 GA	YELLOW	P-1	P-18	28
18	18 GA	YELLOW	P-1	P-19	28
19	18 GA	YELLOW	P-1	P-20	28
20	18 GA	YELLOW	P-1	P-21	28
21	18 GA	YELLOW	P-1	P-22	28
22	18 GA	YELLOW	P-1	P-23	28
23	18 GA	YELLOW	P-1	P-24	28
24	18 GA	YELLOW	P-1	P-25	28
25	18 GA	YELLOW	P-1	P-26	28
26	18 GA	YELLOW	P-1	P-27	28
27	18 GA	YELLOW	P-1	P-28	28
28	18 GA	YELLOW	P-1	P-29	28
29	18 GA	YELLOW	P-1	P-30	28
30	18 GA	YELLOW	P-1	P-31	28
31	18 GA	YELLOW	P-1	P-32	28
32	18 GA	YELLOW	P-1	P-33	28
33	18 GA	YELLOW	P-1	P-34	28
34	18 GA	YELLOW	P-1	P-35	28
35	18 GA	YELLOW	P-1	P-36	28
36	18 GA	YELLOW	P-1	P-37	28
37	18 GA	YELLOW	P-1	P-38	28
38	18 GA	YELLOW	P-1	P-39	28
39	18 GA	YELLOW	P-1	P-40	28
40	18 GA	YELLOW	P-1	P-41	28
41	18 GA	YELLOW	P-1	P-42	28
42	18 GA	YELLOW	P-1	P-43	28
43	18 GA	YELLOW	P-1	P-44	28
44	18 GA	YELLOW	P-1	P-45	28



CIRCUIT	DESCRIPTION	QTY	UNIT	REVISION
1	WIRE HARNESS	1	EA	1000
2	RELAY	4	EA	1000
3	RELAY	4	EA	1000
4	RELAY	4	EA	1000
5	RELAY	4	EA	1000
6	RELAY	4	EA	1000
7	RELAY	4	EA	1000
8	RELAY	4	EA	1000
9	RELAY	4	EA	1000
10	RELAY	4	EA	1000
11	RELAY	4	EA	1000
12	RELAY	4	EA	1000
13	RELAY	4	EA	1000
14	RELAY	4	EA	1000
15	RELAY	4	EA	1000
16	RELAY	4	EA	1000
17	RELAY	4	EA	1000
18	RELAY	4	EA	1000
19	RELAY	4	EA	1000
20	RELAY	4	EA	1000
21	RELAY	4	EA	1000
22	RELAY	4	EA	1000
23	RELAY	4	EA	1000
24	RELAY	4	EA	1000
25	RELAY	4	EA	1000
26	RELAY	4	EA	1000
27	RELAY	4	EA	1000
28	RELAY	4	EA	1000
29	RELAY	4	EA	1000
30	RELAY	4	EA	1000
31	RELAY	4	EA	1000
32	RELAY	4	EA	1000
33	RELAY	4	EA	1000
34	RELAY	4	EA	1000
35	RELAY	4	EA	1000
36	RELAY	4	EA	1000
37	RELAY	4	EA	1000
38	RELAY	4	EA	1000
39	RELAY	4	EA	1000
40	RELAY	4	EA	1000
41	RELAY	4	EA	1000
42	RELAY	4	EA	1000
43	RELAY	4	EA	1000
44	RELAY	4	EA	1000
45	RELAY	4	EA	1000

- NOTES:
1. ALL WIRES PER SAE J1128 GXL INSULATION COLOR AS INDICATED.
 2. ALL DIMENSIONS ARE IN INCHES.
 3. RELAY CONNECTORS MUST FIT 1/4" BOLT.
 4. ALL LENGTHS ARE FROM THE END OF THE CONNECTOR OR O OF THE RING TO BREAKOUT.

REV	PCA DWG CHANGES	ENG	TRIAL	VENDOR	DATE	BY
A	RELEASED	KS			5/04/07	LW
B	CIRCUITS 40 AND 40A ARE CHGD FROM 16 GA TO 14 GA.	PL			5/23/07	KS
C	ADDED PCA DWG# AND PCA/PN/KS	KS			7/16/07	PL

PCA DWG#	P-6301-FG-DWG	DATE	5/04/07
QTY	1	DATE	5/04/07
PL		DATE	5/04/07

PCA DWG#	P-6301-FG	DATE	5/04/07
QTY	1	DATE	5/04/07
PL		DATE	5/04/07

PCA DWG#	P-6301-FG	DATE	5/04/07
QTY	1	DATE	5/04/07
PL		DATE	5/04/07

Bad Boy, Inc.
102 Industrial Drive
Batesville, AR 72501
1.866.622.3269
www.badboymowers.com

Technical Support:

Mark Henley (mark.henley@badboymowers.com)

Extension 6636

Bill Hurst (bill@badboymowers.com)

Extension 6617

Taylor Prince (taylor.prince@badboymowers.com)

Extension 6648

Warranty:

Dustin Tissiere (dustin@badboymowers.com)

Extension 6613

Bill Hurst (bill@badboymowers.com)

Extension 6617

Nathan Simmons

Parts:

Brad Foree (brad@badboymowers.com)

Extension 6637

Robert Patterson (robert.patterson@badboymowers.com)

Extension 6649