



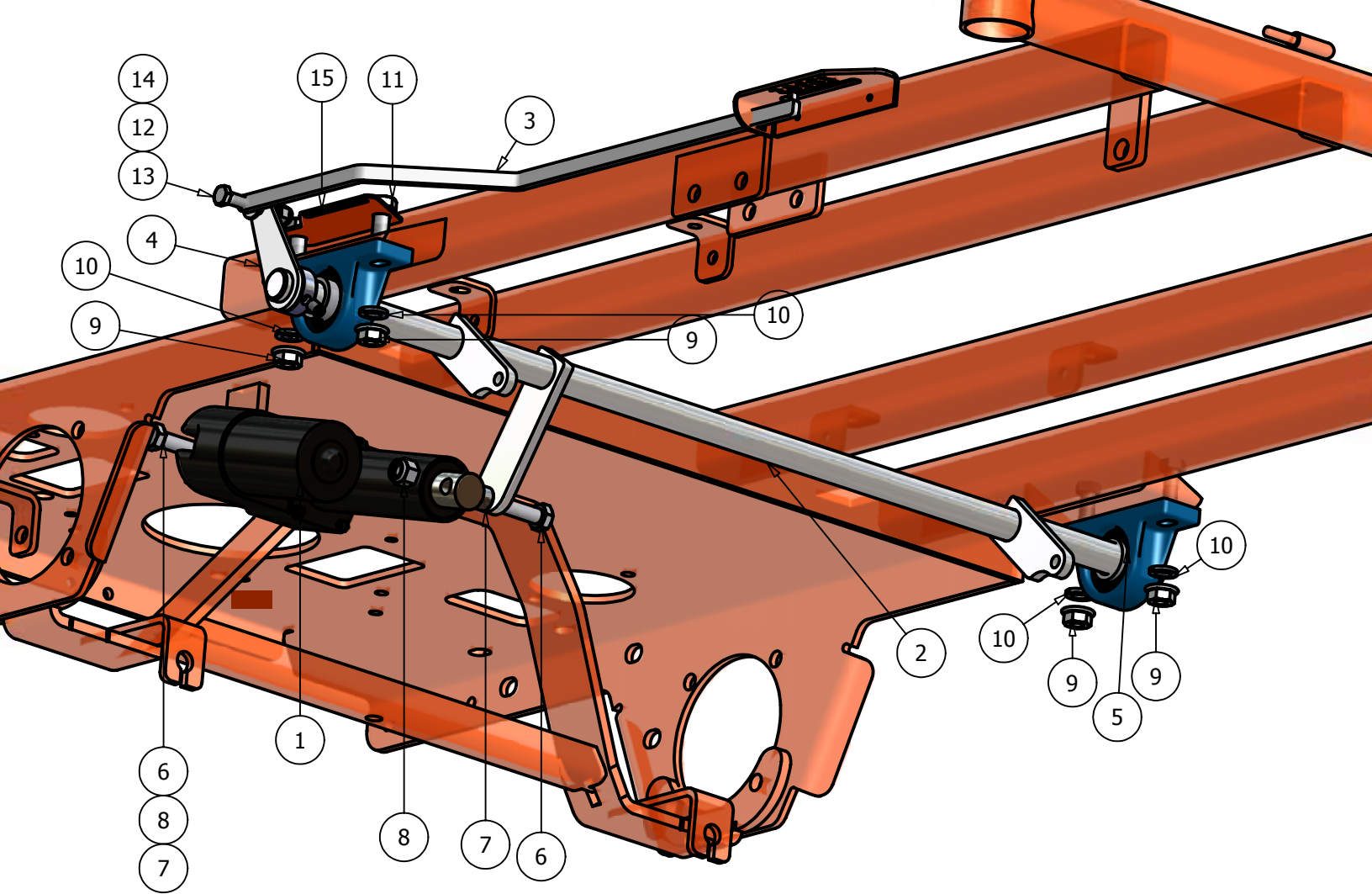
**BAD BOY PARTS MANUAL FOR PUP AND LIGHTNING MODELS
2007**



**23hp Vanguard
26hp Kawasaki
30hp Kohler
32hp Vanguard**



Actuator Bar	3
Hydraulic Pump/ Clutch	4
Wheel Motor/ Tire And Wheel Assembly	6
Floor Panel	8
Seat Frame And Tank	10
Drive Arm	12
Clutch Stack	14
Front Wheel Assembly	15
Spindle	16
Belt Route	17
48" Deck	18
52" Deck	20
60" Deck	22
72" Deck	24
Wiring Schematic- 26hp Lightning	26
Wiring Schematic- 23hp Pup	27
Wiring Schematic- 30hp Pup	28
Wiring Schematic- 32hp Lightning	29

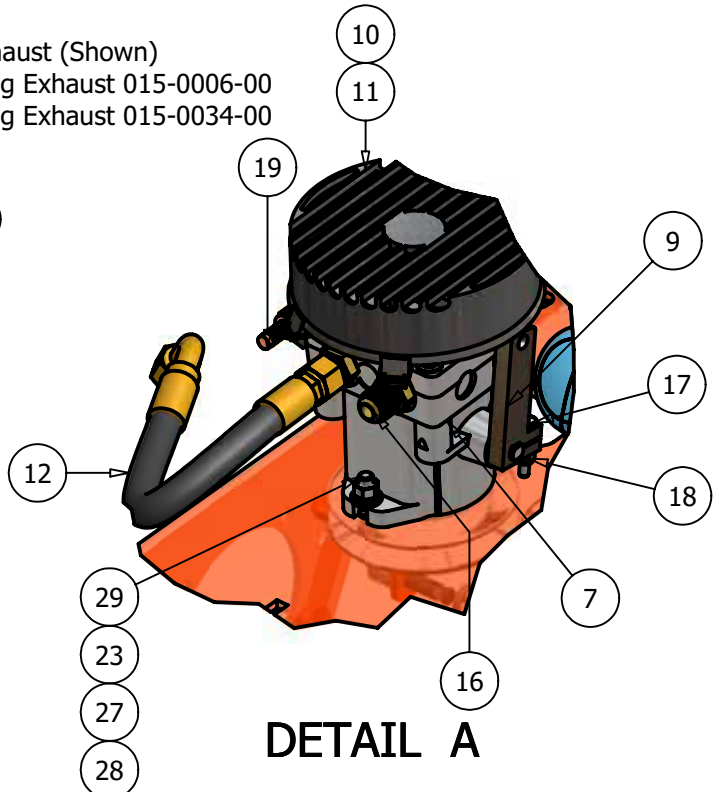
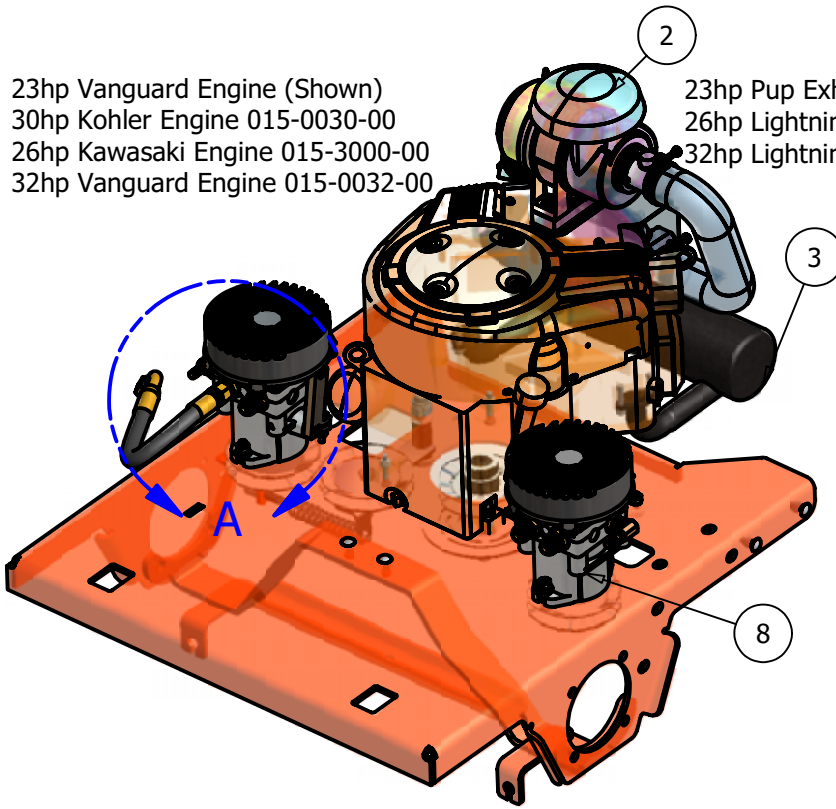


Actuator Bar

ITEM	QTY	PART NUMBER	DESCRIPTION
1	1	035-7033-00	Actuator
2	1	028-7920-00	Actuator Bar
3	1	028-2501-00	Pup Height Indicator
4	1	031-7000-00	Height Indicator Tab
5	2	017-7008-00	1" Pillow Block
6	2	018-7016-00	1/2" x 3" Hex Bolt
7	2	025-7036-00	1/2" x 1/2" Collar Spacer
8	2	013-6037-00	1/2" Nylock Nut
9	4	013-7018-00	1/2" Nut
10	4	019-5007-00	1/2" Lock Washer
11	4	018-5006-00	1/2" x 1 1/2" Hex Bolt
12	1	019-6042-00	3/8" Plastic Washer
13	1	018-6049-00	3/8" x 1" Hex Bolt
14	1	013-5041-00	3/8" Nylock Nut
15	1	039-2005-00	Deck Stop Bracket

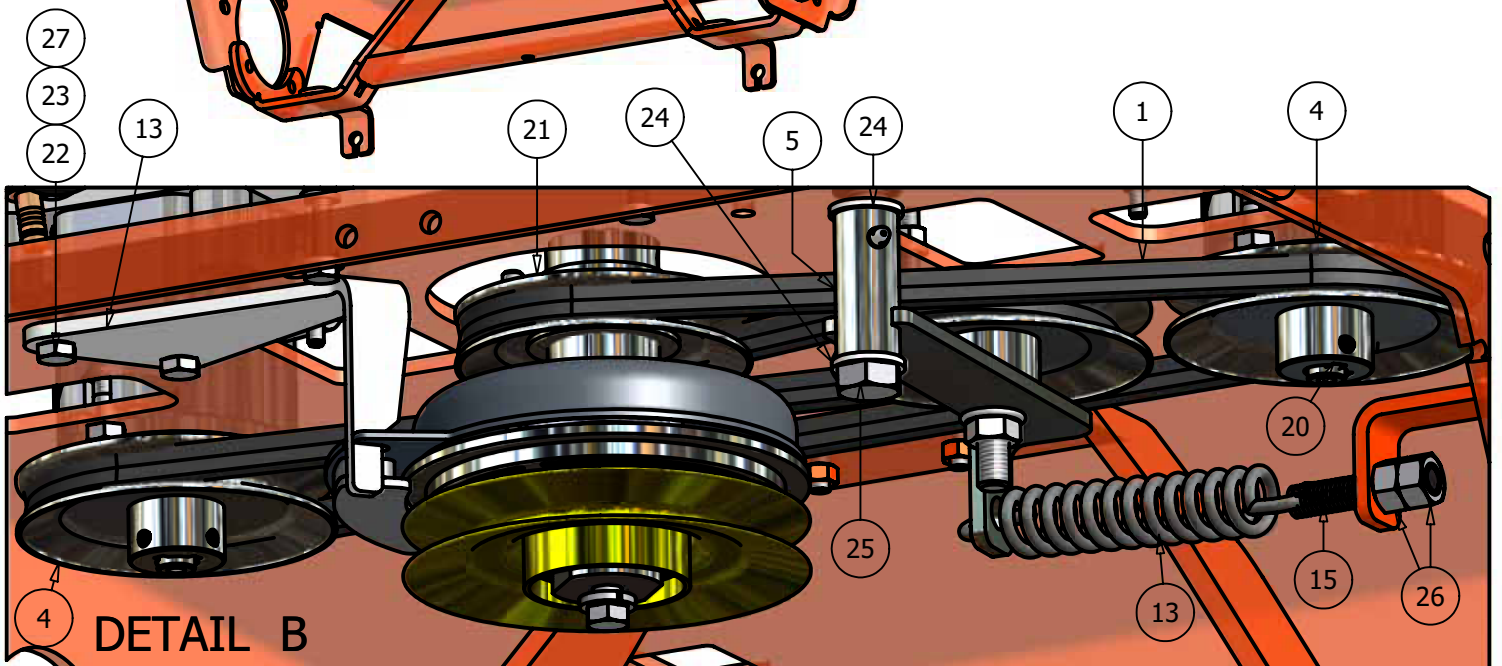
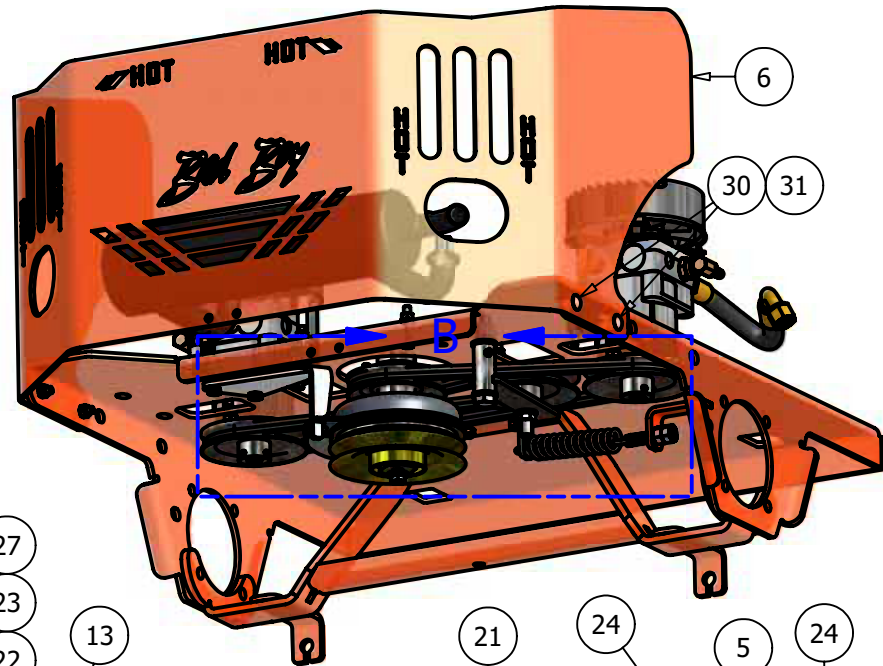
23hp Vanguard Engine (Shown)
 30hp Kohler Engine 015-0030-00
 26hp Kawasaki Engine 015-3000-00
 32hp Vanguard Engine 015-0032-00

23hp Pup Exhaust (Shown)
 26hp Lightning Exhaust 015-0006-00
 32hp Lightning Exhaust 015-0034-00



DETAIL A

10A Pump (Shown)
 12A Pump: 26hp and 32hp Lightning Models
 050-3050-00 Right Pump
 050-3000-00 Left Pump

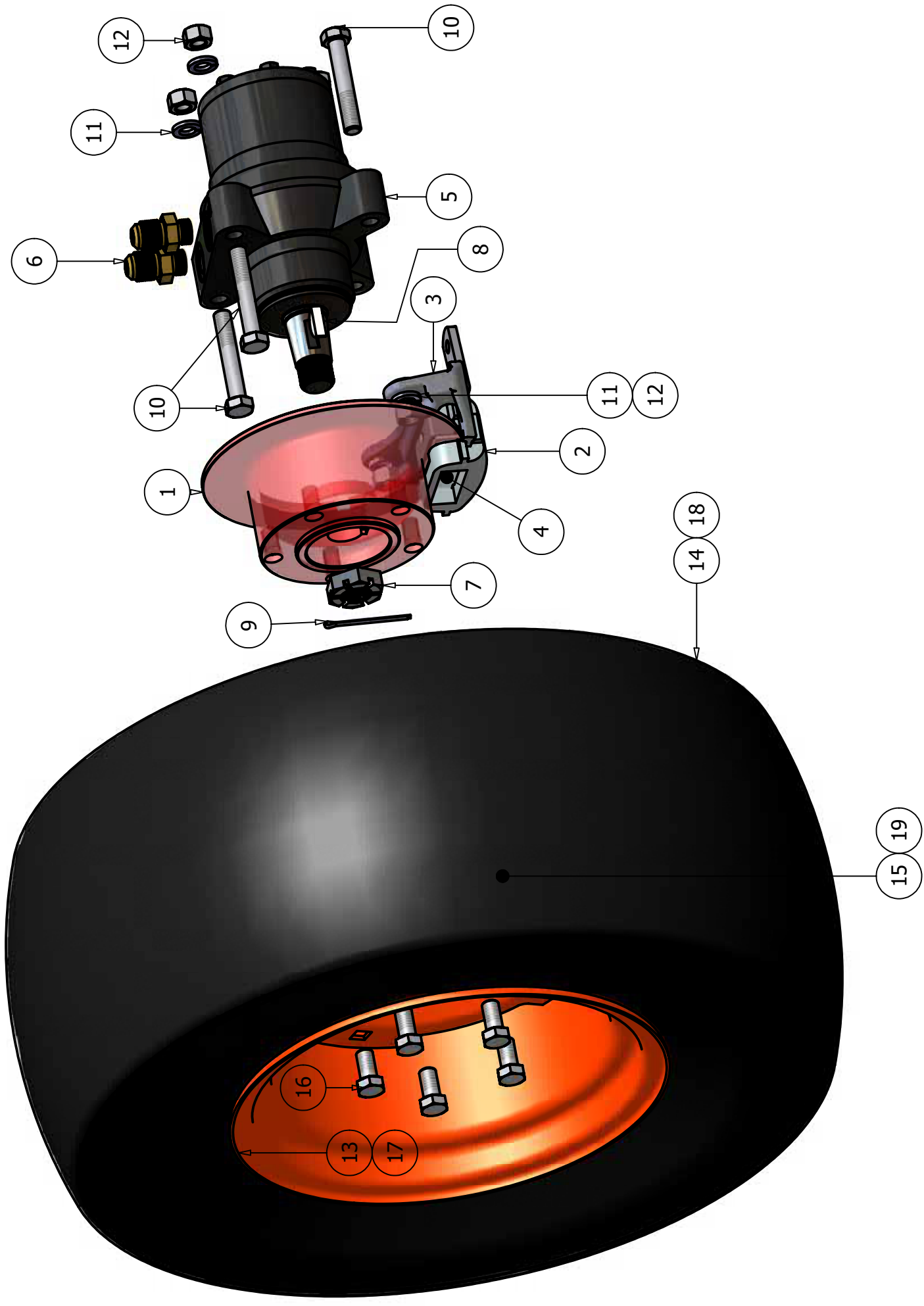


DETAIL B

For more detail concerning clutch assembly, refer to the table of context and look for the clutch stack page.

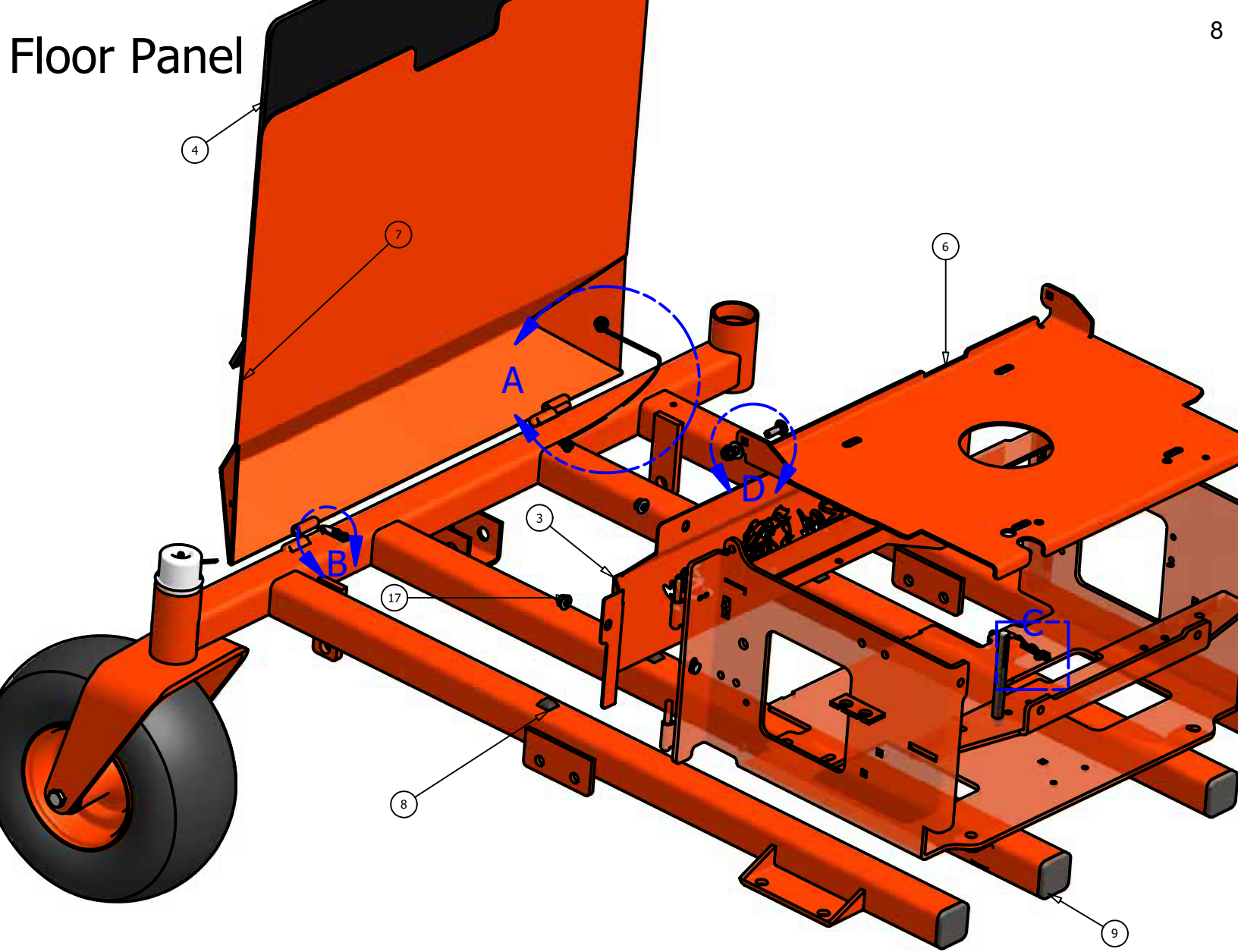
Hydraulic Pump/ Clutch			
ITEM	QTY	PART NUMBER	DESCRIPTION
1	1	041-5048-00	Pump Belt
2	1	015-0023-00	23 HP Vanguard Motor
3	1	015-0033-00	23 HP Vanguard Exhaust
4	2	033-5003-00	5" Pump Pulley
5	1	039-5944-00	Pump Idler Bracket
6	1	026-5321-00	Pup Rear Plate
7	1	050-5303-00	Right Hydraulic Pump
8	1	050-5302-00	Left Hydraulic Pump
9	2	031-5333-00	Pup Pump Arm
10	2	015-9999-00	Hydraulic Fan
11	2	014-5500-00	Fan Guard
12	4	051-5341-00	Hydraulic Hose
13	1	057-5906-00	PTO Engager Holder
14	1	034-5039-00	Pump Idler Spring 6"
15	1	018-2004-00	Spring Tensioner
16	4	024-7033-00	Hydraulic Fitting
17	2	018-5005-00	1/4" x 1 1/2" Bolt
18	2	013-8073-00	1/4" Nylock Nut
19	4	024-5206-00	3/8" X 9/16" Male Fitting
20	2	042-5301-00	5mm x 1" Key
21	1	033-5034-00	4 3/4" Motor Pulley
22	2	018-6049-00	3/8" x 1" Hex Bolt
23	6	013-6014-00	3/8" Hex Nut
24	2	019-6017-00	.635 ID Plastic Washer
25	1	018-5311-00	5/8" x 4" Hex Bolt
26	2	013-7018-00	1/2" Hex Nut
27	4	019-5037-00	3/8" Lock Washer
28	4	019-5029-00	3/8" Flat Washer
29	4	018-6012-00	3/8" x 1 1/2" Hex Bolt
30	4	018-8065-00	5/16" x 1" Carriage Bolt
31	4	013-8047-00	5/16" Nylock Nut
32	1	063-8050-00	Canister Filter (23 Pup only)
33	1	063-8019-00	Outer Canister Air Filter (26hp & 32hp Lightning and 30hp Pup)
34	1	063-8020-00	Inner Canister Air Filter (26hp & 32hp Lightning and 30hp Pup)

Wheel Motor/Tire and Wheel Assembly

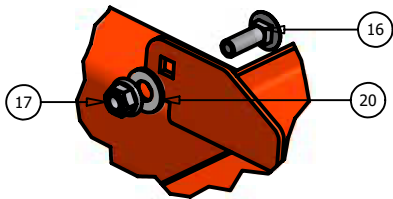


Wheel Motor/ Tire and Wheel Assmebly			
ITEM	QTY	PART NUMBER	DESCRIPTION
1	1	092-5201-00	Brake Disc
2	1	016-1610-98/016-1609-98	Right Brake Assmebly/ Left
3	1	039-8936-00	Brake Casting
4	1	016-9998-00	Brake Pads
5	1	015-2004-00/ 015-2005-00	Right Wheel Motor/ Left
6	2	024-7033-00	Hydraulic Fitting
7	1	013-7050-00	Castle Nut
8	1	042-7041-00	Woodruff Key
9	1	020-7022-00	1/8" x 2 1/4" Cotter #8
10	4	018-7016-00	1/2" x 3" Hex Bolt
11	4	019-5007-00	1/2" Lock Washer
12	4	013-7018-00	1/2" Hex Nut
13	1	022-7061-00	12" Rim - 60" & 72" Cut
14	1	022-5349-00	24x12-12 Tire - 60" & 72" Cut
15	1	022-5450-00	24" Tire and Wheel Assembly
16	5	018-7033-00	1/2" x 1" Hex Bolt
17	1	022-7062-00	12" Rim - 48" & 52" Cut
18	1	022-5351-00	23x10.50-12 Tire - 48" & 52" Cut
19	1	022-5352-00	23x10.50-12 Tire and Wheel Assembly

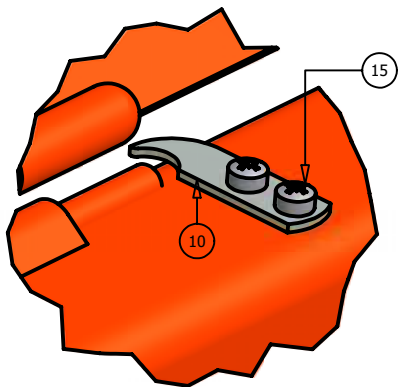
Floor Panel



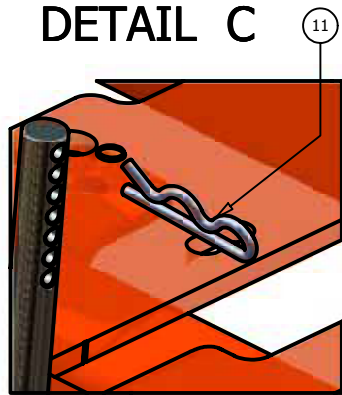
DETAIL D



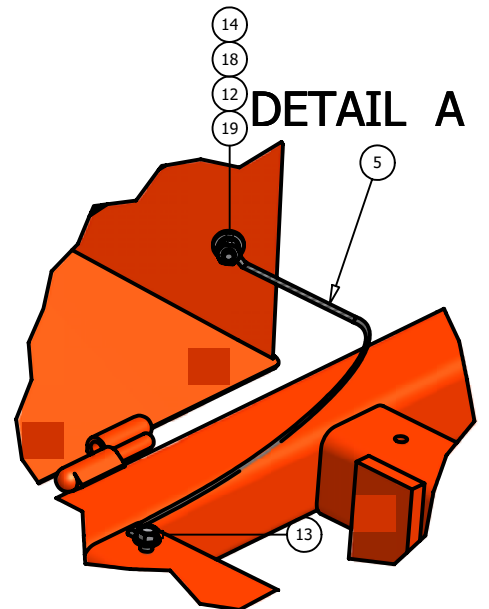
DETAIL B



DETAIL C

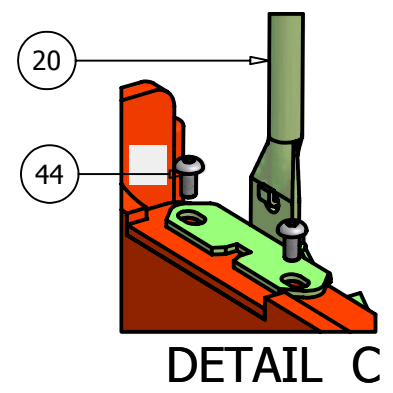
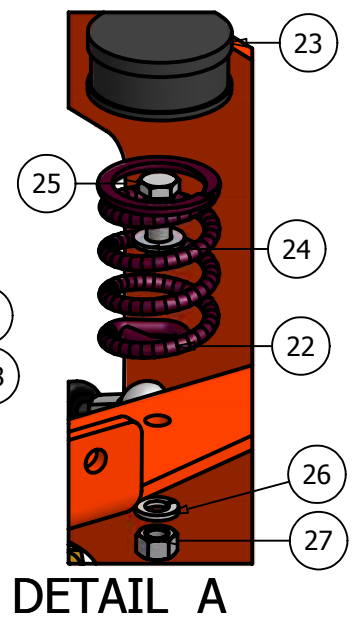
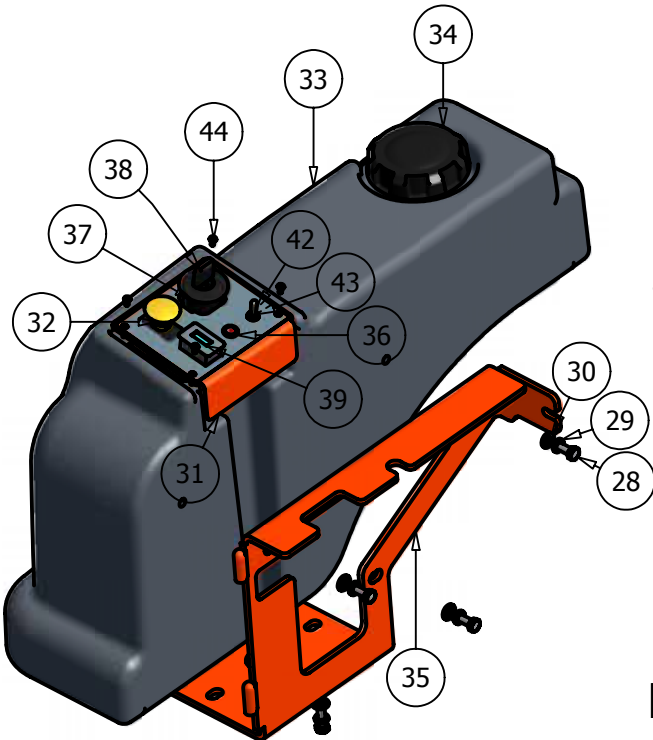
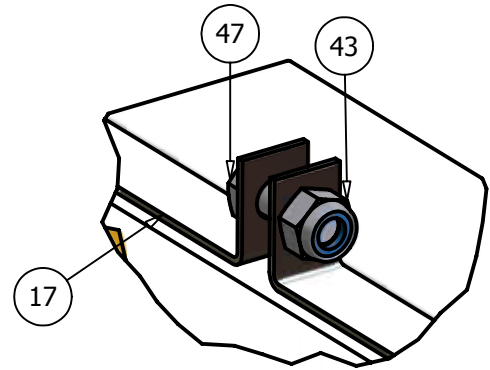
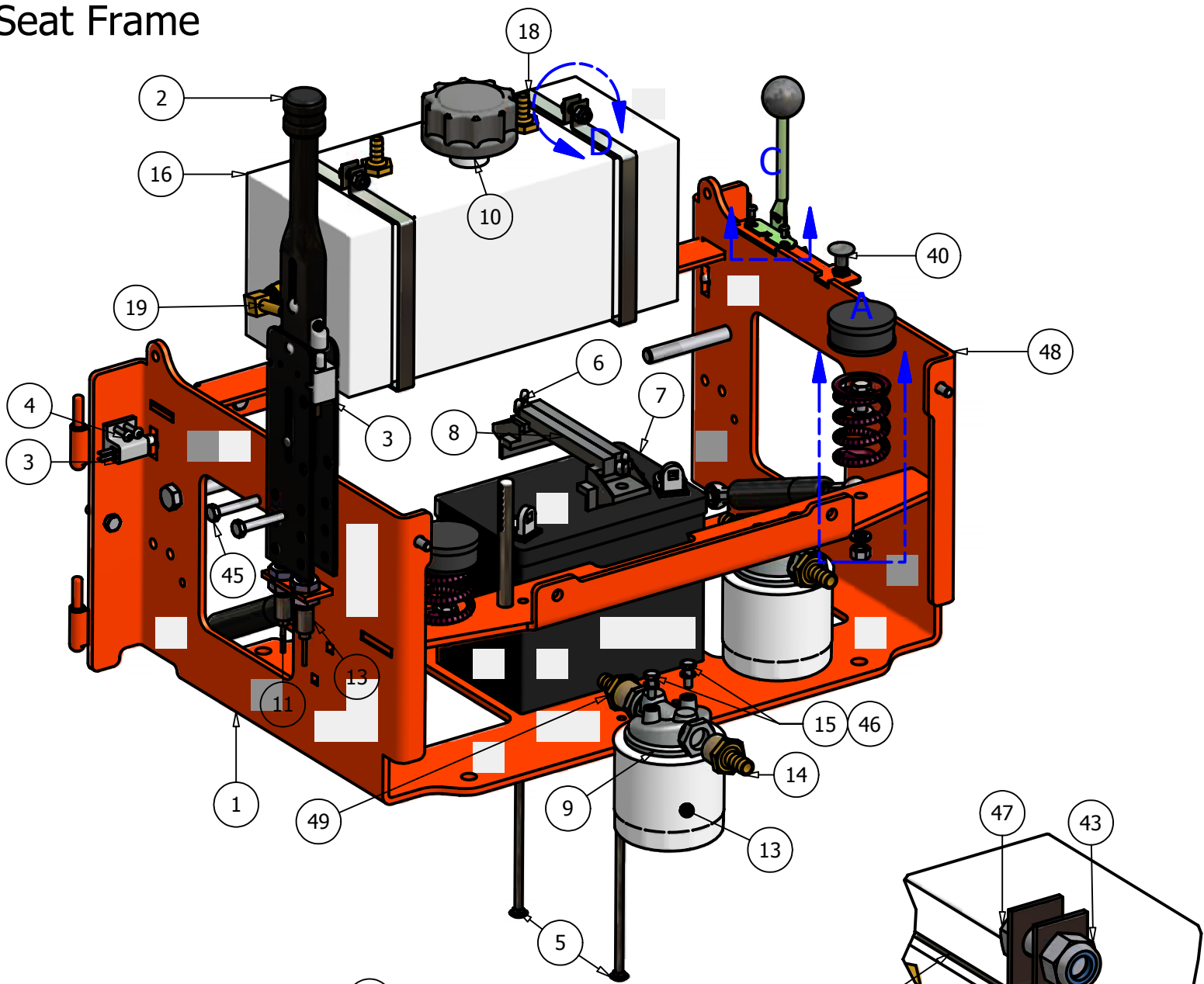


DETAIL A



Floor Panel			
ITEM	QTY	PART NUMBER	DESCRIPTION
1	1	071-3000-00	Suspension Seat (All Lightning)
2	1	071-2004-00	EVC Seat (23hp and 30hp Pup Models)
3	1	014-2006-00	Cooler Cover
4	1	081-2006-00	Pup Floor Mat
5	1	064-2005-00	Floor Board Cable
6	1	026-2006-00	Seat Plate
7	1	079-5340-00	Pup Floor Panel
8	4	029-7029-00	Floor Rubber Bumper
9	4	014-9000-00	Frame Plug
10	1	058-2000-00	Floor Panel Stop
11	1	040-6060-00	#9 Hit clip (seat latch)
12	1	019-7040-00	1/4" Flat Washer
13	1	030-7040-00	1/4" x 1" Self Tapping Screw
14	1	018-8064-00	1/4" x 5/8" Button Head Bolt
15	2	030-3050-00	#10 x 1/2" Self Taping Screw
16	2	018-8065-00	5/16" x 1" Carriage Bolt
17	10	013-8049-00	5/16" Nylock Flange Nut
18	1	013-8039-00	1/4" Hex Nut
19	1	019-4008-00	1/4" Lock Washer
20	2	019-6042-00	.360 ID Plastic Washer

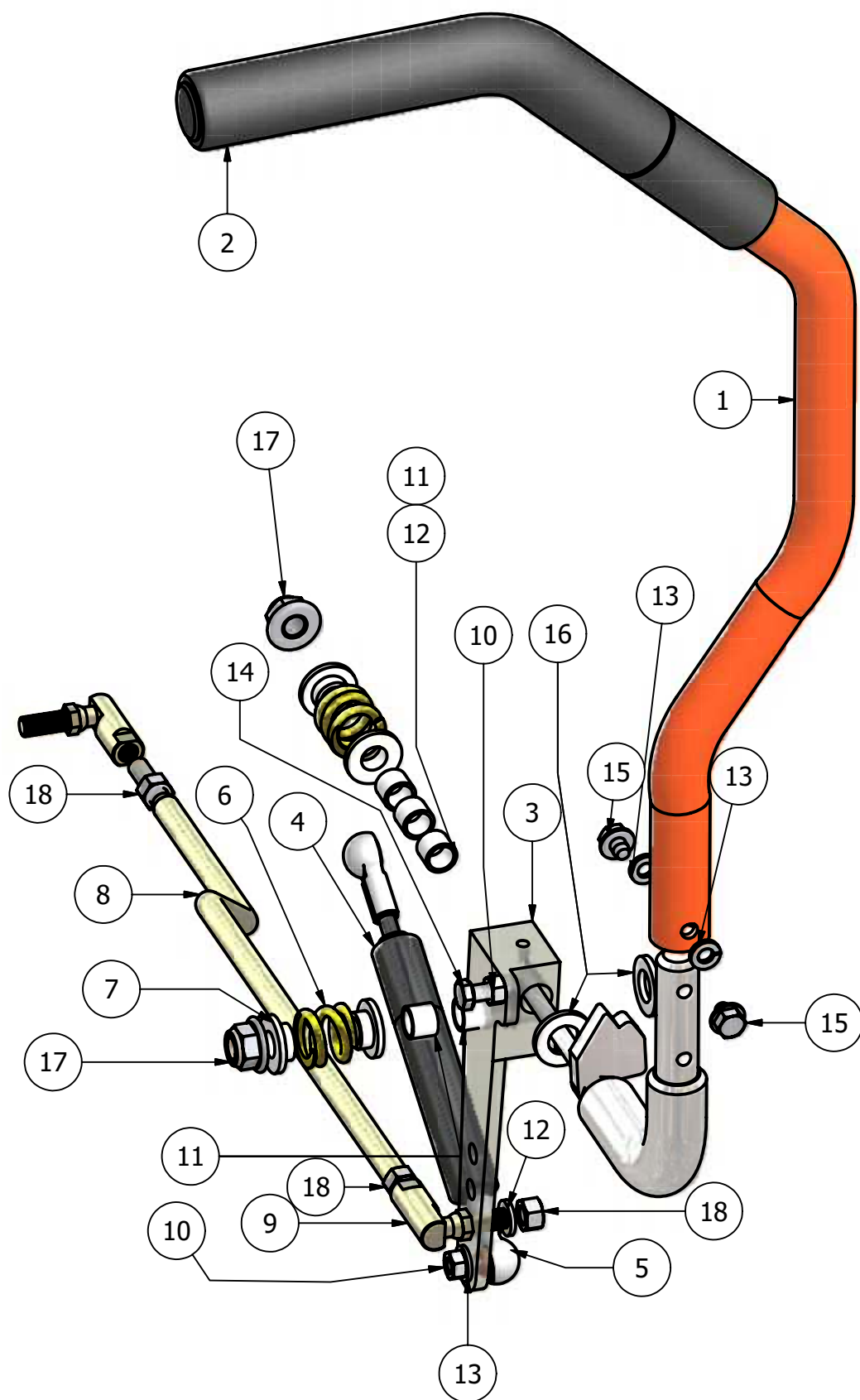
Seat Frame



Seat Frame & Tanks

ITEM	QTY	PART NUMBER	DESCRIPTION
1	1	080-6010-00	Seat Frame
2	1	069-8054-00	Brake Lever
3	3	077-8073-00	Brake Handle Switch
4	4	018-8056-00	1024 x 1" Bolt
5	2	018-8050-00	7" Stove Bolt
6	2	013-8051-00	1/4" Wing Nut
7	1	068-8049-00	Battery
8	1	043-8929-00	Battery hold-down
9	2	062-8013-00	Filter Head
10	1	066-8048-00	Hydraulic Tank Cap
11	1	064-8055-00	Short Brake Cable
12	1	064-8056-00	Long Brake Cable
13	2	063-8014-00	Hydraulic Filter
14	2	024-5050-00	Filter Head Fitting
15	4	018-8052-00	1/4" x 3/4" Hex Bolt
16	1	067-9016-00	Hydraulic Tank
17	2	213-6001-00	Hydraulic Tank Strap
18	2	024-5205-00	3/8" X 3/8" Hose Barb
19	2	024-5203-00	1/2" x 1/2" Filter Head Fitting (90 Degree)
20	1	055-8017-00	Throttle (23 Briggs, 26 Kawasaki, 30 Kohler)
21	1	055-8021-00	Throttle (32 Briggs)
22	2	034-8045-00	Seat Spring
23	2	014-8047-00	1 1/2" Spring Cap Cover
24	2	019-5029-00	3/8" Flat Washer
25	2	018-6012-00	3/8" x 1 1/2" Hex Bolt
26	4	019-5037-00	3/8" Lock Washer
27	8	013-6014-00	3/8" Hex Nut
28	8	018-5015-00	5/16" x 1" Hex Bolt
29	12	019-8051-00	5/16" Lock Washer
30	8	019-8044-00	5/16" Flat Washer
31	1	079-3401-00	Control Panel
32	1	056-8058-00	Blade Engager
33	1	067-5000-00/ 067-5001-00	Right Fuel Tank/ Left Fuel Tank
34	2	066-8076-00	Fuel Cap
35	1	031-2007-00/ 031-2006-00	Right Tank Swing Arm/ Left
36	1	089-1000-00	Oil Light
37	1	077-8076-00	Ignition Switch
38	1	042-9000-00	Ignition Key
39	1	083-4013-00	Tachometer
40	1	054-8016-00	Choke
41	1	054-8017-00	Choke (All Kohler Engines)
42	1	078-8077-00	Deck Lift
43	1	013-8047-00	5/16" Nylock Nut
44	6	018-5200-00	1024 X 5/8" Buttonhead Bolt
45	2	018-8059-00	5/16" x 1 3/4" Hex Bolt
46	4	019-4008-00	1/4" Lock Washer
47	4	018-8063-00	5/16" x 3/4" Hex Bolt
48	1	029-8059-00	Piezo Buzzer
49	2	024-5342-00	1/2" x 3/8" Barb Fitting

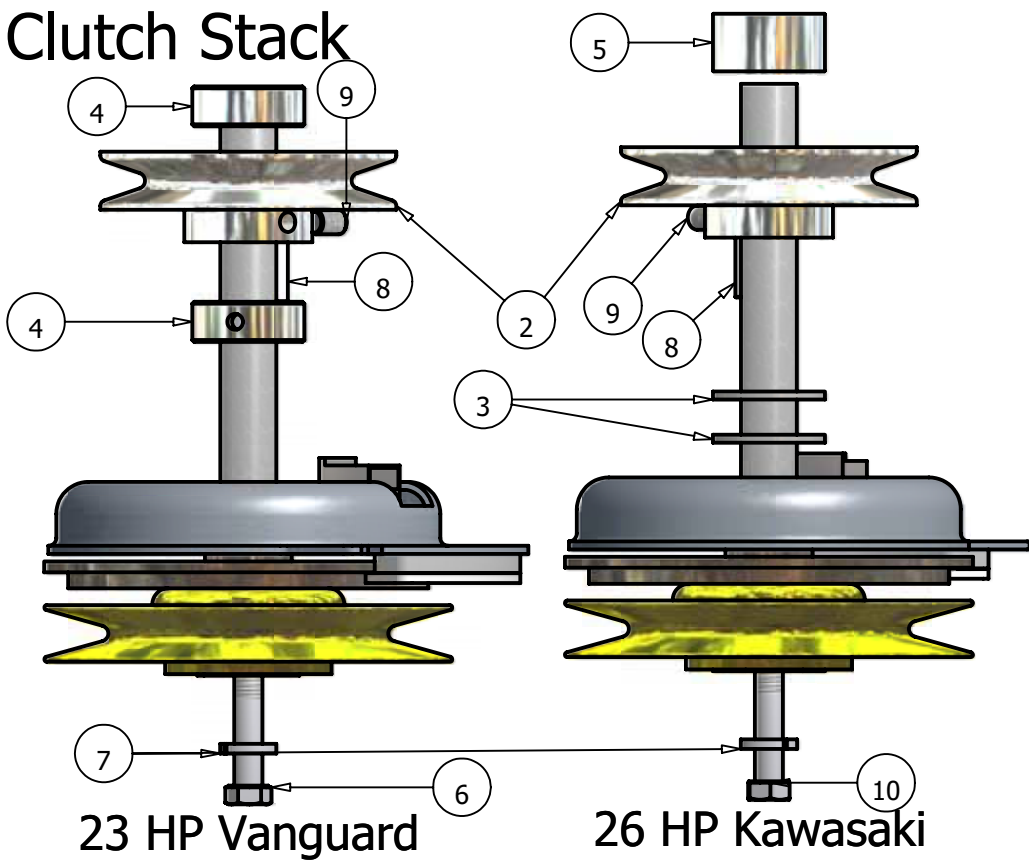
Drive Arms



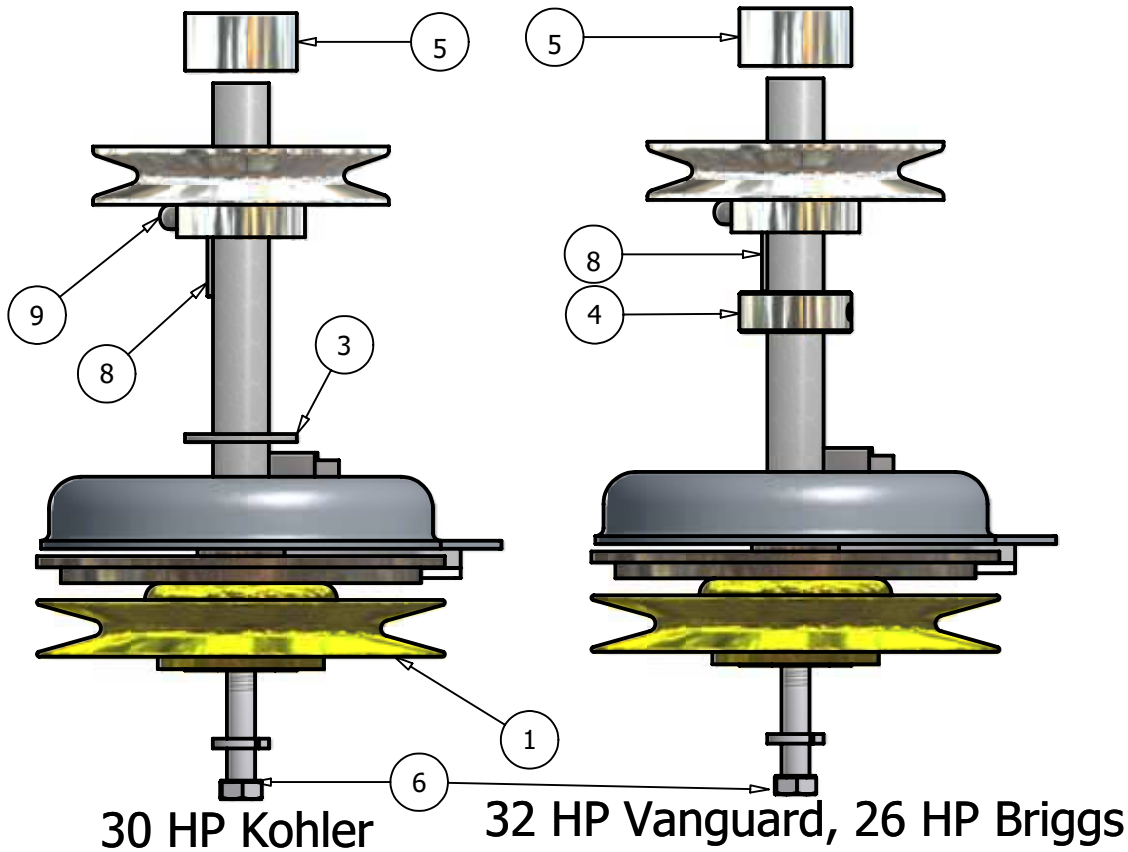
Parts List

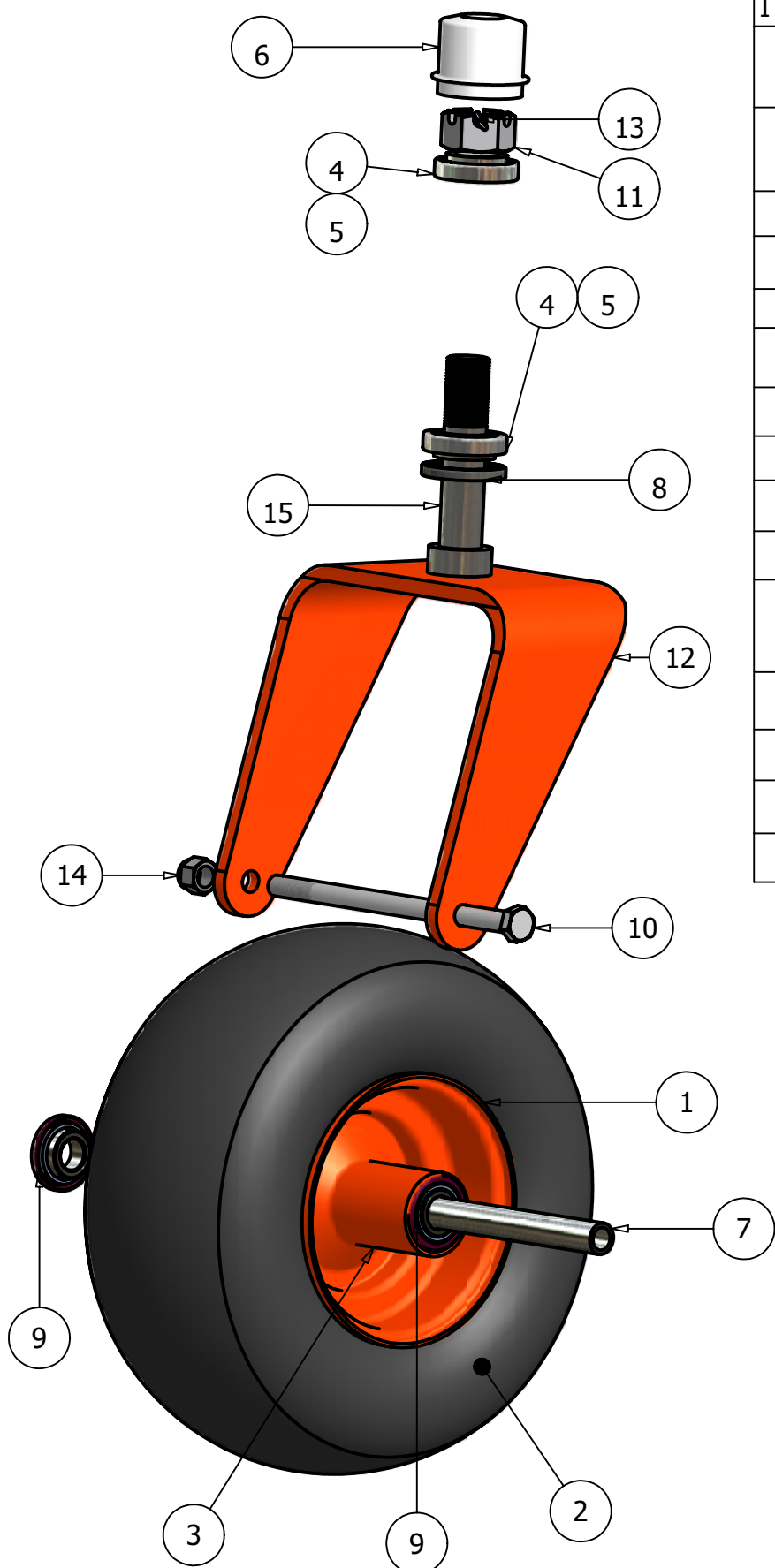
ITEM	QTY	PART NUMBER	DESCRIPTION
1	1	031-8822-00/031-8821-00	Right Drive Arm/ Left
2	2	069-4010-00	Rubber Steering Handle
3	1	027-8819-00/027-8820-00	Left Drive Arm Lever Housing/Right
4	2	087-8080-00	Damper
5	2	018-2050-00	10MM Damper Ball Stud
6	4	034-8025-00	Drive Lever Spring
7	8	019-8027-00	.515 ID Nylon Shoulder Washer
8	2	035-5344-00	Push Rod
9	4	099-6046-00	3/8-24 Ball joint (female/male)
10	4	013-8043-00	5/16" Nut
11	10	032-8024-00	.507 ID Nylon Bushing
12	4	019-5037-00	3/8" Lock Washer
13	6	019-8051-00	5/16" Lock Washer
14	2	018-8063-00	5/16" x 3/4" Hex Bolt
15	4	018-2007-00	5/16" x 1/2" Flange Bolt
16	4	019-8054-00	.505 ID Plastic Washer
17	4	013-8050-00	1/2" Flange Lock Nut
18	8	013-6051-00	3/8" Fine Thread Nut

Clutch Stack



Clutch Assembly		
ITE	PART NUMBER	DESCRIPTION
1	070-1000-00	Clutch Assembly
2	033-5034-00	4 3/4" Motor Pulley
3	019-6029-00	1 1/8" Flat Spacer
4	025-5000-00	1 1/8" Collar Spacer
5	025-0025-00	1.125 ID X .625 Spacer
6	018-5300-00	7/16" x 2 1/2" Fine Thread Bolt
7	019-8053-00	7/16" Lock Washer
8	042-6030-00	1/4" x 1" Key
9	030-6029-00	3/8" Set Screw
10	018-5028-00	10mm x 552 Bolt

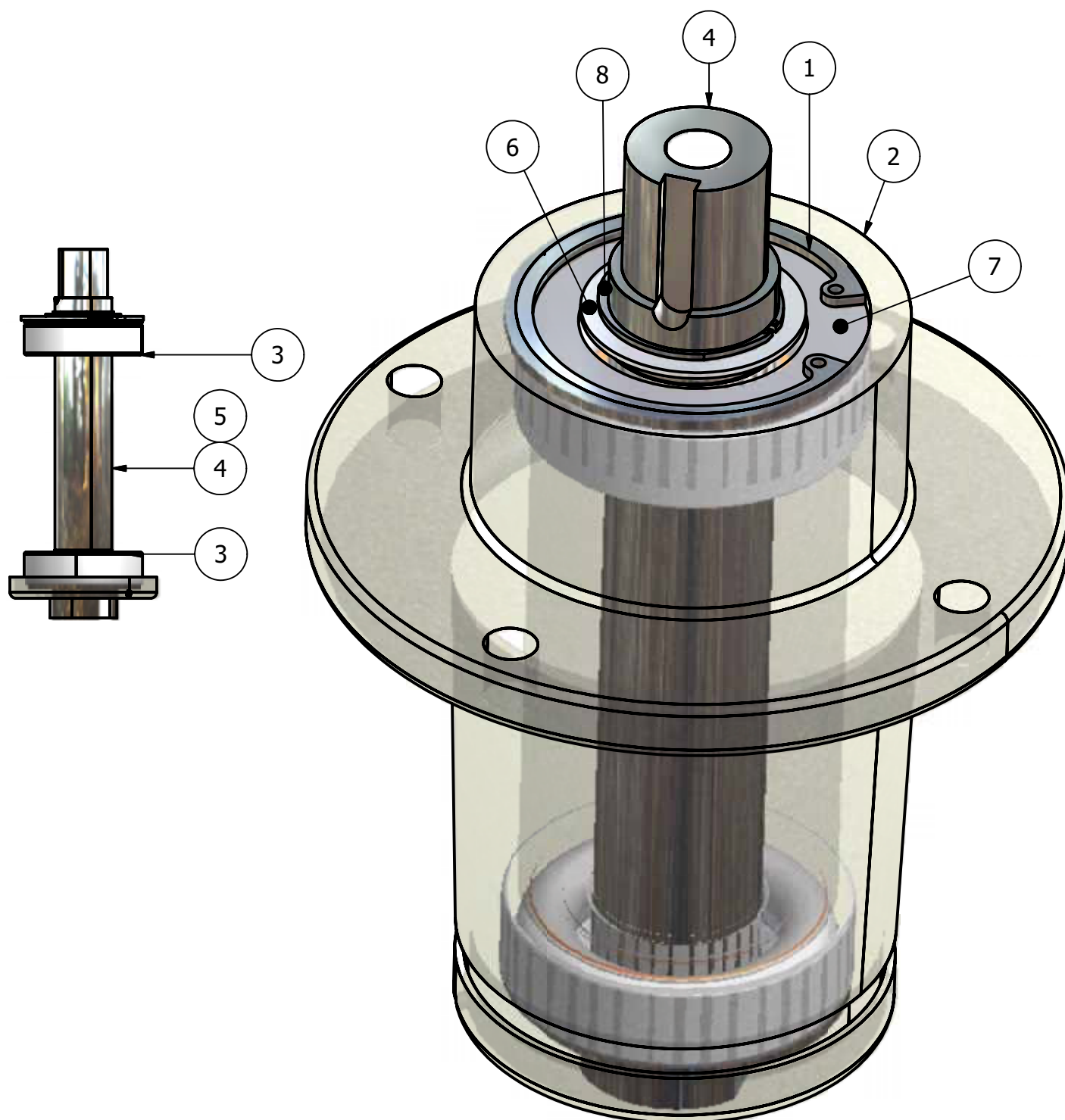


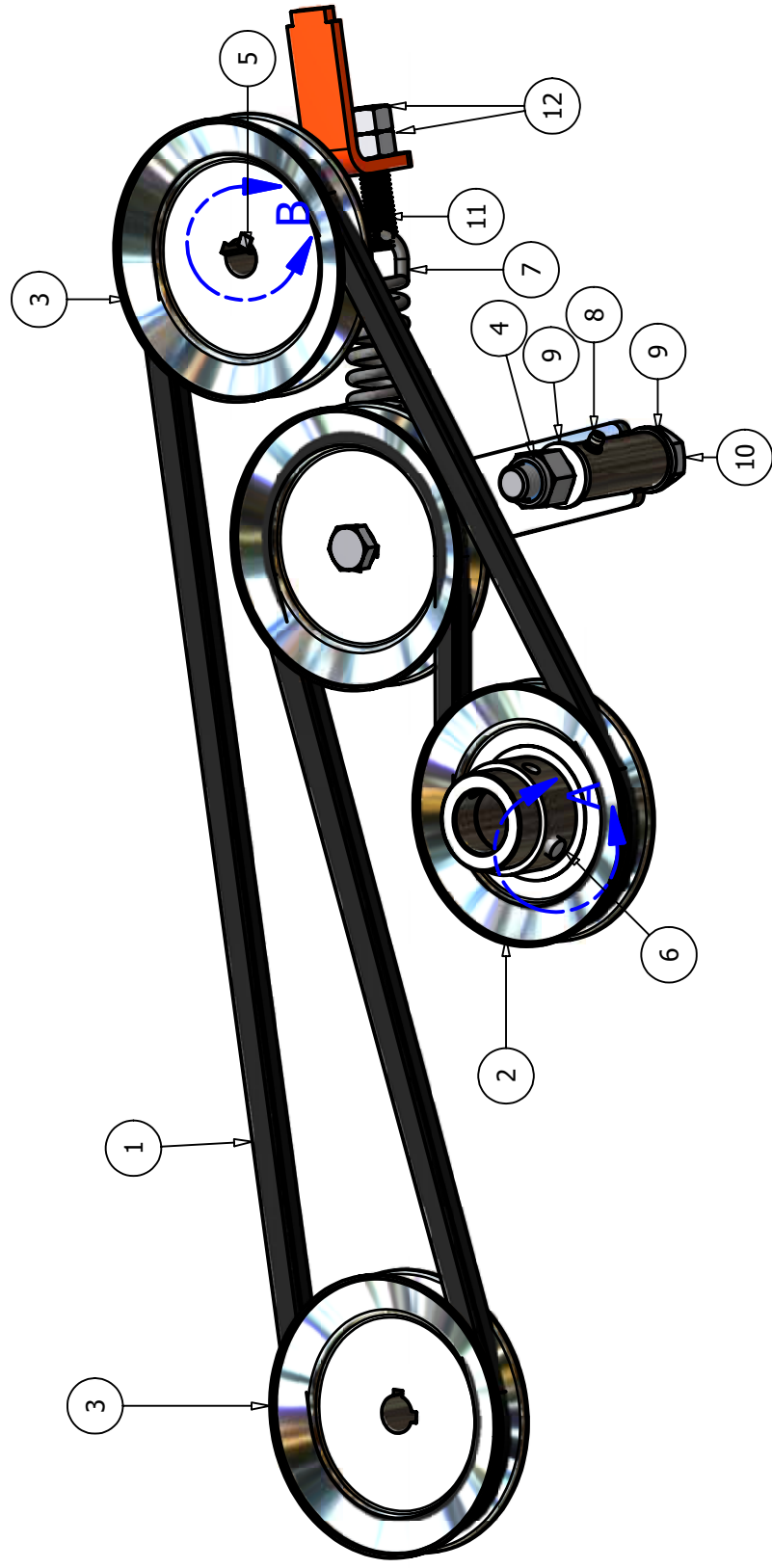


Front Wheel			
ITEM	QT	PART NUMBER	DESCRIPTION
1	1	022-2006-00	13" x 6.50 - 6" Tire and Wheel Assembly
2	1	022-5347-00	13" x 6.50 - 6" Tire ONLY
3	1	022-7002-00	6" Wheel ONLY
4	2	010-7001-00	Bearing
5	2	011-7002-00	Race
6	1	014-7005-00	Dust Cover
7	1	025-5202-00	Front Wheel Spacer
8	1	012-7003-00	Seal
9	2	022-7009-00	Wheel Bearing
10	1	018-7010-00	1/2" x 9" Bolt
11	1	013-7004-00	1" Fine Threaded Castle Nut
12	1	023-7913-00	Front Fork with Spindle
13	1	020-7022-00	1/8" x 2 1/4" Cotter #8
14	1	013-6037-00	1/2" Nylock Nut
15	1	037-0001-00	Front Fork Spindle

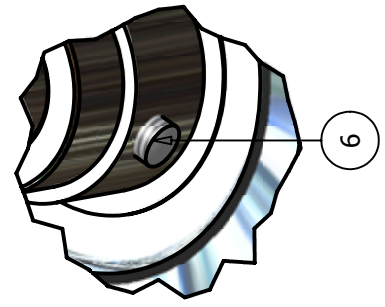
Parts List

ITEM	QTY	PART NUMBER	DESCRIPTION
1	2	037-6009-00	Bearing Retainer Ring
2	1	037-6017-00	Spindle Housing
3	2	037-6023-00	Bearing
4	1	037-6019-00	Short Shaft
5	1	037-6018-00	Long Shaft
6	2	037-6021-00	Small Bearing Spacer
7	2	037-6020-00	Large Bearing Spacer
8	1	037-6022-00	Shaft Retainer Ring

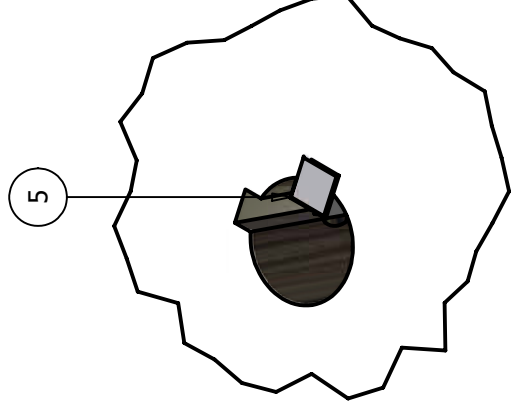




Belt			
ITEM	QTY	PART NUMBER	DESCRIPTION
1	1	041-5048-00	Pump Belt
2	1	033-5034-00	4 3/4" Motor Pulley
3	2	033-5003-00	5" Pump Pulley
4	1	013-7021-00	5/8" Nylock Nut
5	2	042-5301-00	5mm x 1 Key
6	1	030-6029-00	3/8" Set Screw
7	1	034-5039-00	Pump Idler Spring 6"
8	1	024-6034-00	Grease Fitting (Drive-In Type)
9	2	019-6017-00	.635 ID Plastic Washer
10	1	018-5311-00	5/8" x 4" Hex Bolt
11	1	018-2004-00	Spring Tensioner
12	2	013-7018-00	1/2" Hex Nut

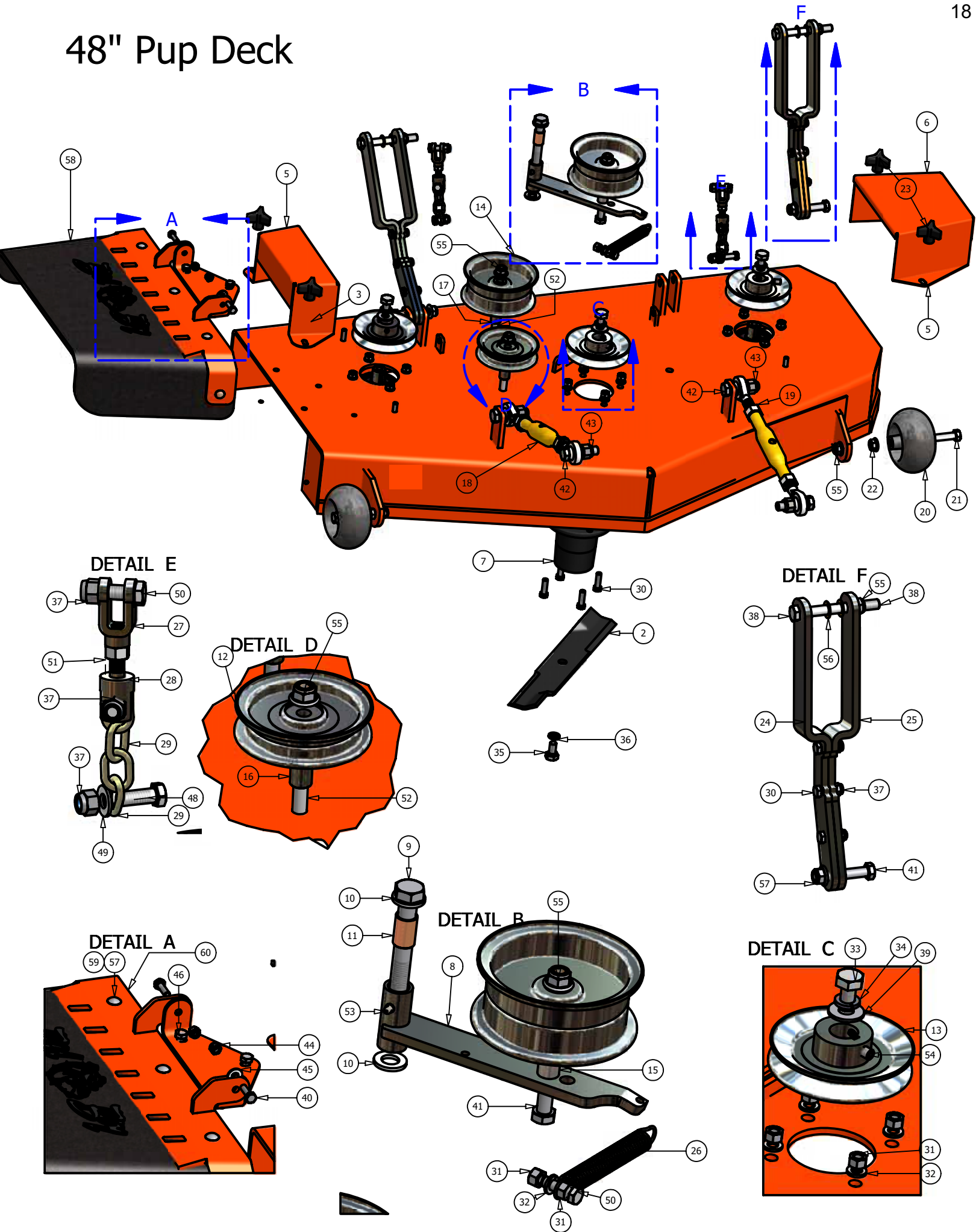


DETAIL A



DETAIL B

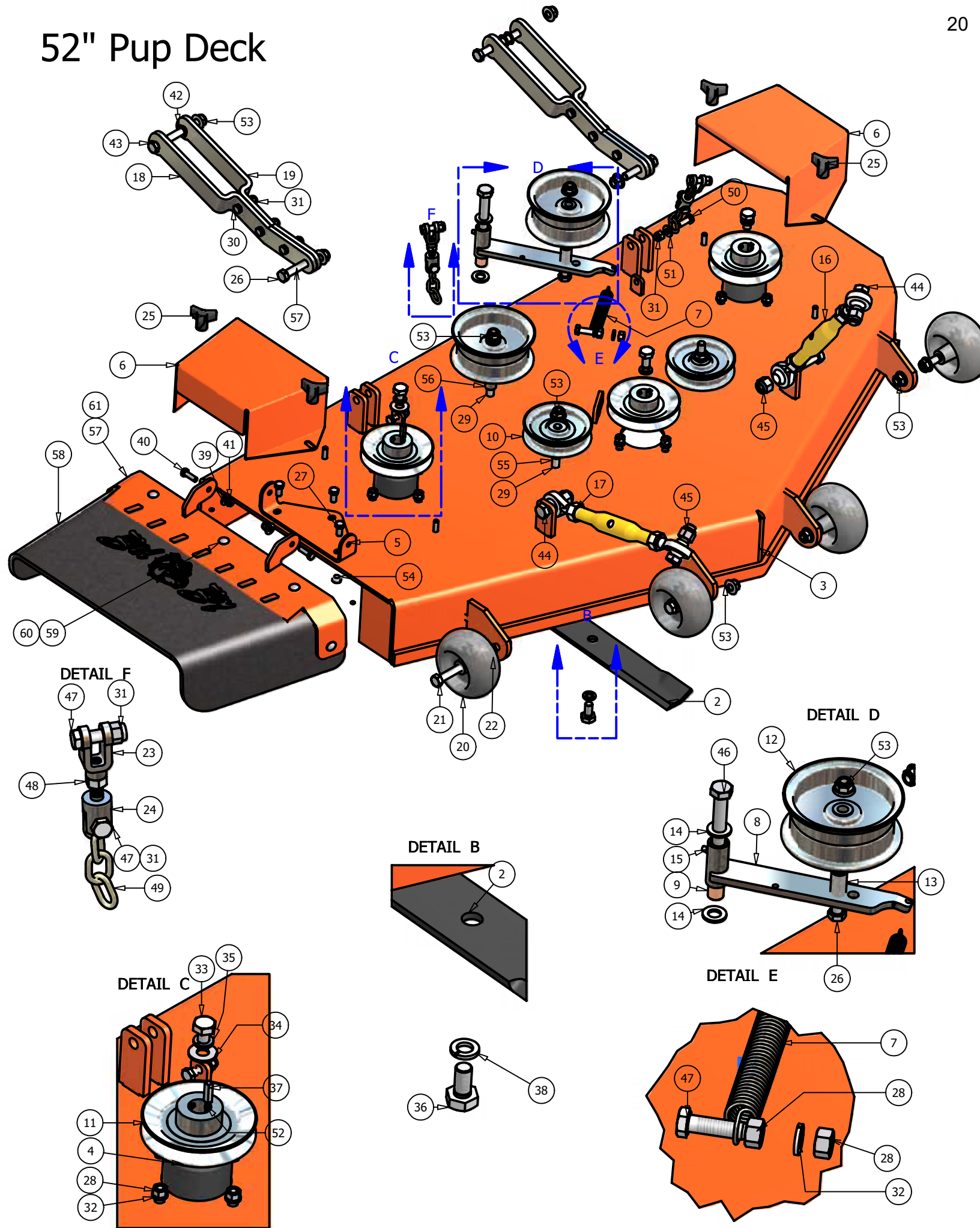
48" Pup Deck



48" Pup Deck

ITEM	QTY	PART NUMBER	DESCRIPTION
1	1	041-1420-00	48" Deck Belt
2	3	038-4830-00	48" Fusion Blade
3	1	060-4800-00	48" Deck
4	1	206-6017-00	Discharge Chute Hanger
5	1	014-4801-00	48" Spindle Cover
6	1	014-6004-00	Spindle Cover
7	3	037-6015-00	Spindle
8	1	039-6936-00	Deck Idler Arm
9	1	018-5311-00	5/8" x 4" Hex Bolt
10	2	019-6017-00	.635 ID Plastic Washer
11	2	032-6033-00	5/8" ID x 1 1/8" Brass Bushing
12	1	033-6001-00	4 3/4" Idler Pulley
13	3	033-6003-01	5" Deck Pulley
14	2	033-5001-00	5 3/4" Deck Idler Pulley
15	1	025-5337-00	1 1/4" Pulley Spacer
16	1	025-5338-00	1 1/2" Pulley Spacer
17	1	025-5339-00	1 3/4" Pulley Spacer
18	2	048-6056-00	Turnbuckle
19	2	013-6058-00	3/4" Left Handed Nut
20	4	022-5234-00	Anti-Scalp Rollers
21	4	018-5019-00	1/2" x 4" Bolt (Grade 8)
22	4	013-5300-00	1/2" Flange Nut
23	4	045-6043-00	5/16" Knob
24	2	031-5351-00	Deck Support Arm (left)
25	2	031-5352-00	Deck Support Arm (Right)
26	1	034-9035-00	Deck Idler Spring
27	2	046-6044-00	Female Yoke
28	2	046-6048-00	Male Yoke
29	2	047-6047-00	3" Chain
30	18	018-5040-00	3/8" x 1 1/4" Hex Bolt
31	14	013-6014-00	3/8" Hex Nut
32	13	019-5037-00	3/8" Lock Washer
33	3	018-5006-00	1/2" x 1 1/2" Bolt Fine Threaded
34	3	019-5007-00	1/2" Lock Washer
35	3	018-6021-00	5/8" x 1.5" Fine Threaded Bolt
36	3	019-4807-00	5/8" Lock Washer
37	12	013-5041-00	3/8" Nylock Nut
38	2	018-7050-00	1/2" x 4 1/2" Bolt
39	3	019-6020-00	1/2" Cup Washer
40	6	018-5015-00	5/16" x 1" Hex Bolt
41	3	018-6036-00	1/2" x 2 1/2" Hex Bolt
42	4	018-6059-00	5/8" x 2 1/2" Hex Bolt
43	4	013-7021-00	5/8" Nylock Nut
44	2	013-8047-00	5/16" Nylock Nut
45	2	019-6042-00	.360 ID Plastic Washer
46	3	018-5250-00	3/8" x 3/4" Hex Bolt
47	3	013-5201-00	3/8" Flange Nut
48	2	018-6049-00	3/8" x 1" Hex Bolt
49	2	019-5029-00	3/8" Flat Washer
50	5	018-6012-00	3/8" x 1 1/2" Hex Bolt
51	2	013-6051-00	3/8" Fine Threaded Jam Nut
52	2	018-6054-00	1/2" x 3 1/2" Bolt
53	1	024-6034-00	Grease Fitting (Drive-In Type)
54	3	030-6029-00	3/8" Set Screw
55	11	013-8050-00	1/2" Flange Lock Nut
56	4	019-5010-00	1/2" Brass Washer
57	5	018-5020-00	5/16" x 1 1/2" Carriage Bolt
58	1	210-6005-00	Rubber Side Discharge
59	5	013-8049-00	5/16" Nylock Flange Nut
60	1	039-4870-00	2007 Hanger Plate
61	1	039-4871-00	2007 Lower Hanger Plate

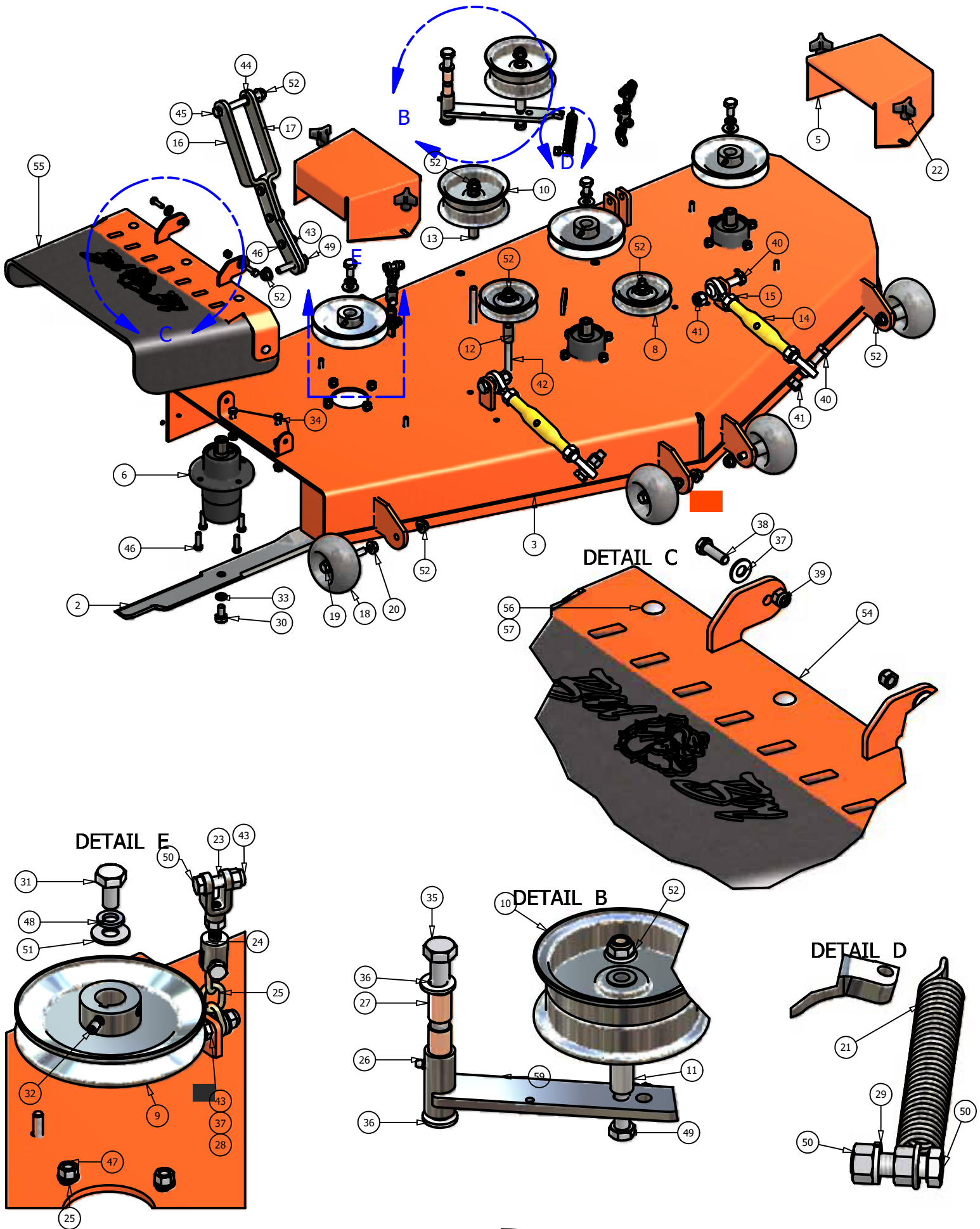
52" Pup Deck



52" Pup Deck- Parts List

ITEM	QTY	PART NUMBER	DESCRIPTION
1	1	041-1490-00	52" Pup Deck Belt
2	3	038-3010-00	52" Fusion Blade
3	1	060-5402-00	52" Deck
4	3	037-6015-00	Spindle
5	1	206-6017-00	Discharge Chute Hanger
6	2	014-6004-00	Pulley Guard
7	1	034-9035-00	Deck Idler Spring
8	1	039-6936-00	Deck Idler Arm
9	2	032-6033-00	5/8" ID x 1 1/8" Brass Bushing
10	2	033-6001-00	4 3/4" Idler Pulley
11	3	033-6003-01	5" Deck Pulley
12	2	033-5001-00	5 3/4" Flat Idler Pulley
13	1	025-5337-00	1 1/4" Pulley Spacer
14	2	019-6017-00	.635 ID Plastic Washer
15	1	024-6034-00	Grease Fitting (Drive-In Type)
16	2	048-6056-00	Turnbuckle
17	2	013-6058-00	3/4" Left Handed Nut
18	2	031-6027-00	Deck Support Arm (left)
19	2	031-6028-00	Deck Support Arm (Right)
20	6	022-5234-00	Anti-Scalp Rollers
21	6	018-5019-00	1/2" x 4" Bolt (Grade 8)
22	6	013-5300-00	1/2" Flange Nut
23	2	046-6044-00	Female Yoke
24	2	046-6048-00	Male Yoke
25	4	045-6043-00	5/16" Knob
26	3	018-6036-00	1/2" x 2 1/2" Hex Bolt
27	3	018-5250-00	3/8" x 3/4" Hex Bolt
28	14	013-6014-00	3/8" Hex Nut
29	3	018-6054-00	1/2" x 3 1/2" Bolt
30	18	018-5040-00	3/8" x 1 1/4" Hex Bolt
31	12	013-5041-00	3/8" Nylock Nut
32	13	019-5037-00	3/8" Lock Washer
33	3	018-5006-00	1/2" x 1 1/2" Bolt
34	3	019-6020-00	1/2" Spring Cupped Washer
35	3	019-5007-00	1/2" Lock Washer
36	3	018-6021-00	5/8" x 1.5" Fine Threaded Bolt
37	3	042-6030-00	1/4" x 1" Key
38	3	019-4807-00	5/8" Lock Washer
39	2	019-6042-00	.360 ID Plastic Washer
40	2	018-5015-00	5/16" x 1" Hex Bolt
41	2	013-8047-00	5/16" Nylock Nut
42	4	019-5010-00	1/2" Brass Washer
43	2	018-7050-00	1/2" x 4 1/2" Bolt
44	4	018-6059-00	5/8" x 2 1/2" Hex Bolt
45	4	013-7021-00	5/8" Nylock Nut
46	1	018-5311-00	5/8" x 4" Hex Bolt
47	5	018-6012-00	3/8" x 1 1/4" Hex Bolt
48	2	013-6051-00	3/8" Fine Threaded Jam Nut
49	2	047-6047-00	3" Chain
50	2	018-6049-00	3/8" x 1" Hex Bolt
51	2	019-5029-00	3/8" Flat Washer
52	3	030-6029-00	3/8" Set Screw
53	14	013-8050-00	1/2" Flange Lock Nut
54	3	013-5201-00	3/8" Flange Nut
55	2	025-5338-00	1 1/2" Pulley Spacer
56	1	025-5339-00	1 3/4" Pulley Spacer
57	1	039-4870-00	2007 Hanger Plate
58	1	210-6005-00	Rubber Side Discharge
59	5	018-5020-00	5/16" x 1 1/2" Carriage Bolt
60	5	013-8049-00	5/16" Nylock Flange Nut
61	1	039-4871-00	2007 Lower Hanger Plate

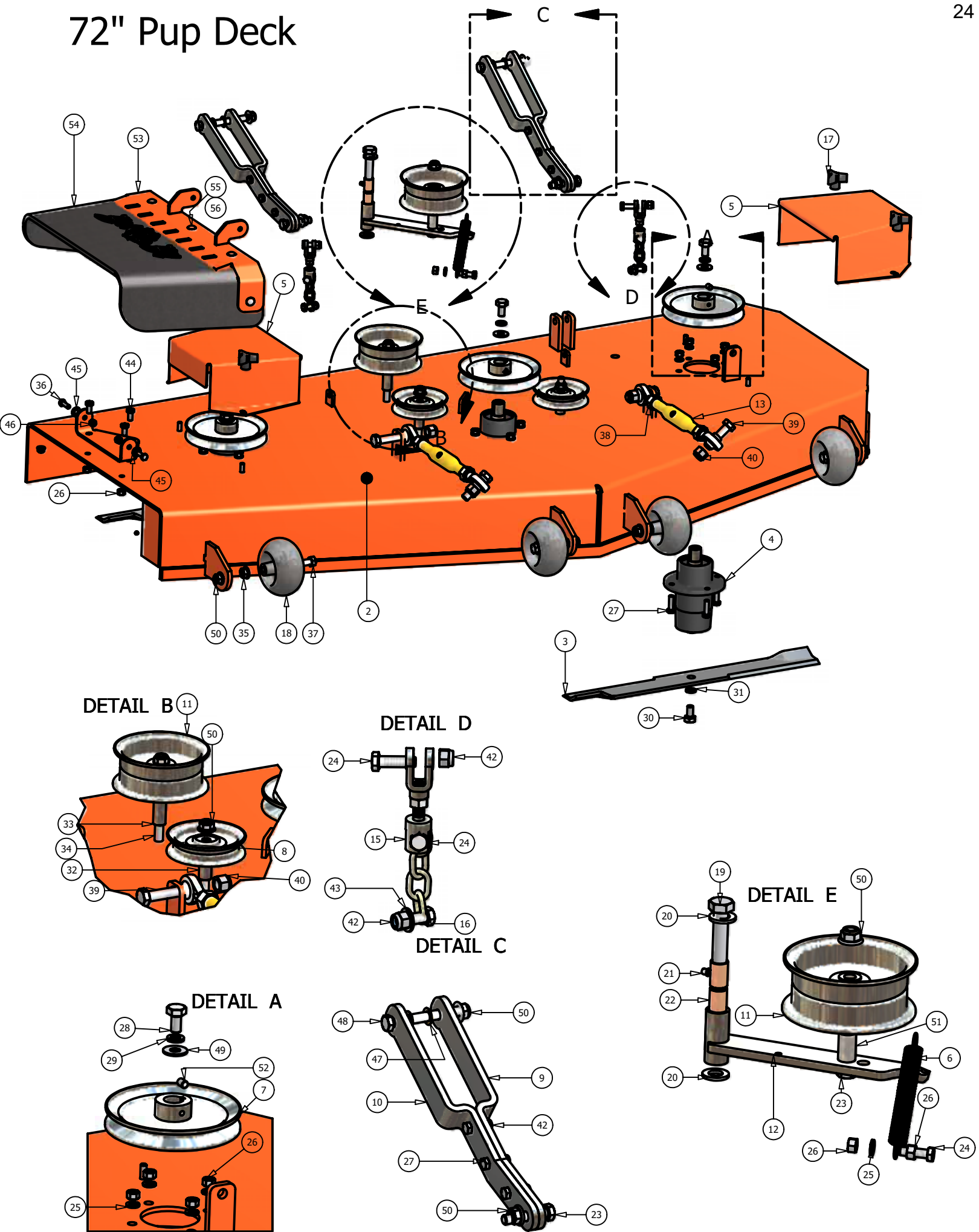
60" Pup Deck



60 Inch Deck Parts List

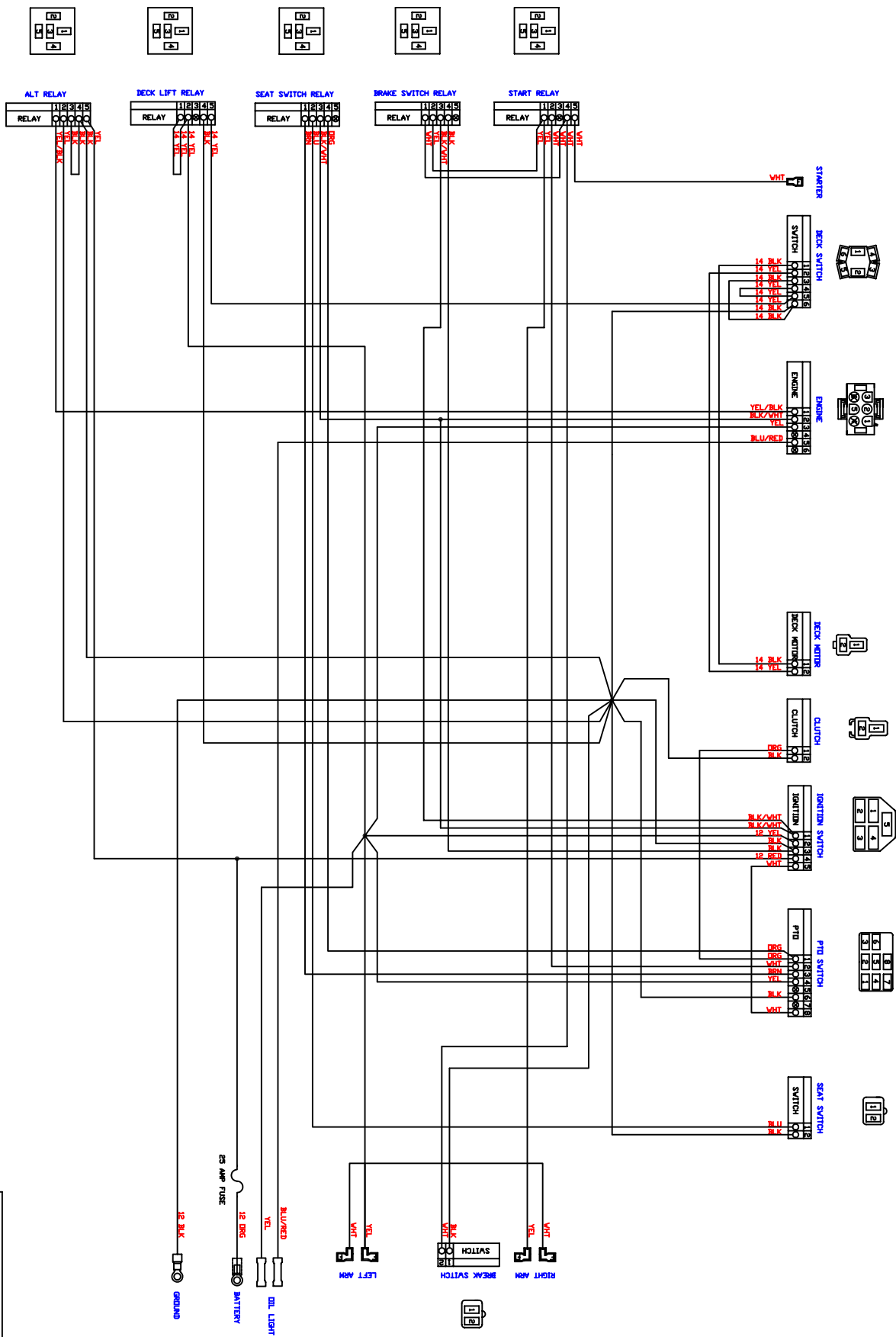
ITEM	QTY	PART NUMBER	DESCRIPTION
1	1	041-1650-00	60" Deck Belt
2	3	038-6060-00	60" Fusion Blade
3	1	060-5403-00	60" Deck
4	1	206-6017-00	Discharge Chute Hanger
5	2	014-6004-00	Pulley Guard
6	3	037-6015-00	Spindle
7	1	039-6936-00	Deck Idler Arm
8	2	033-6001-00	4 3/4" Idler Pulley
9	3	033-6004-00	6 1/4" Drive Pulley
10	2	033-5001-01	5 3/4" Flat Idler Pulley
11	1	025-5337-00	1 1/4" Pulley Spacer
12	2	025-5338-00	1 1/2" Pulley Spacer
13	1	025-5339-00	1 3/4" Pulley Spacer
14	2	048-6056-00	Turnbuckle
15	2	013-6058-00	3/4" Left Handed Nut
16	2	031-6027-00	Deck Support Arm (left)
17	2	031-6028-00	Deck Support Arm (Right)
18	6	022-5234-00	Anti-Scalp Rollers
19	6	018-5019-00	1/2" x 4" Bolt (Grade 8)
20	6	013-5300-00	1/2" Flange Nut
21	1	034-9035-00	Deck Idler Spring
22	4	045-6043-00	5/16" Knob
23	2	046-6044-00	Female Yoke
24	2	046-6048-00	Male Yoke
25	2	047-6047-00	3" Chain
26	1	024-6034-00	Grease Fitting (Drive-In Type)
27	2	032-6033-00	5/8" ID x 1 1/8" Brass Bushing
28	3	018-6049-00	3/8" x 1" Hex Bolt
29	13	019-5037-00	3/8" Lock Washer
30	3	018-6021-00	5/8" x 1.5" Fine Threaded Bolt
31	3	018-5006-00	1/2" x 1 1/2" Bolt (Fine Threaded)
32	3	030-6029-00	3/8" Set Screw
33	3	019-4807-00	5/8" Lock Washer
34	3	018-5250-00	3/8" x 3/4" Hex Bolt
35	1	018-5311-00	5/8" x 4" Hex Bolt
36	2	019-6017-00	.635 ID Plastic Washer
37	2	019-6042-00	.360 ID Plastic Washer
38	2	018-5015-00	5/16" x 1" Hex Bolt
39	2	013-8047-00	5/16" Nylock Nut
40	4	018-6059-00	5/8" x 2 1/2" Hex Bolt
41	4	013-7021-00	5/8" Nylock Nut
42	3	018-6054-00	1/2" x 3 1/2" Bolt
43	13	013-5041-00	3/8" Nylock Nut
44	4	019-5010-00	1/2" Brass Washer
45	2	018-7050-00	1/2" x 4 1/2" Bolt
46	18	018-5040-00	3/8" x 1 1/4" Hex Bolt
47	14	013-6014-00	3/8" Hex Nut
48	3	019-5007-00	1/2" Lock Washer
49	2	018-6036-00	1/2" x 2 1/2" Hex Bolt
50	5	018-6012-00	3/8" x 1 1/2" Hex Bolt
51	3	019-6020-00	1/2" Cupped Washer
52	13	013-8050-00	1/2" Flange Lock Nut
53	1	039-4863-00	2007 Lower Hanger Plate
54	1	039-4864-00	2007 Hanger Plate
55	1	210-6005-00	Rubber Side Discharge
56	5	018-5020-00	5/16" x 1 1/2" Carriage Bolt
57	5	013-8049-00	5/16" Nylock Flange Nut

72" Pup Deck



72" Pup Deck			
ITEM	QTY	PART NUMBER	DESCRIPTION
1	1	041-1890-00	72" Deck Belt-B189
2	1	060-7205-00	72" Deck
3	3	038-7230-00	72" Fusion Blade
4	3	037-6015-00	Spindle
5	2	014-7204-00	Pulley Guard
6	1	034-9035-00	Deck Idler Spring
7	3	033-7203-00	7" Deck Pulley
8	2	033-6001-00	4 3/4" Idler Pulley
9	2	031-6028-00	Deck Support Arm (Right)
10	2	031-6027-00	Deck Support Arm (Left)
11	2	033-5001-01	5 3/4" Flat Idler Pulley
12	1	039-6936-00	Deck Idler Arm
13	2	048-6056-00	Turnbuckle
14	2	046-6044-00	Female Yoke
15	2	046-6048-00	Male Yoke
16	2	047-6047-00	3" Chain
17	4	045-6043-00	5/16" Knob
18	6	022-5234-00	Anti-Scalp Rollers
19	1	018-5311-00	5/8" x 4" Hex Bolt
20	2	019-6017-00	.635 ID Plastic Washer
21	1	024-6034-00	Grease Fitting (Drive-In Type)
22	2	032-6033-00	5/8" ID x 1 1/8" Brass Bushing
23	3	018-6036-00	1/2" x 2 1/2" Hex Bolt
24	5	018-6012-00	3/8" x 1 1/4" Hex Bolt
25	13	019-5037-00	3/8" Lock Washer
26	17	013-6014-00	3/8" Hex Nut
27	18	018-5040-00	3/8" x 1 1/4" Hex Bolt
28	3	018-6019-00	1/2" x 1 1/2" Fine Thread Bolt
29	3	019-5007-00	1/2" Lock Washer
30	3	018-6021-00	5/8" x 1.5" Fine Threaded Bolt
31	3	019-4807-00	5/8" Lock Washer
32	2	025-5338-00	1 1/2" Pulley Spacer
33	1	025-5339-00	1 3/4" Pulley Spacer
34	1	018-6054-00	1/2" x 3 1/2" Bolt
35	6	013-5300-00	1/2" Flange Nut
36	6	018-5015-00	5/16" x 1" Hex Bolt
37	6	018-5019-00	1/2" x 4" Bolt (Grade 8)
38	2	013-6058-00	3/4" Left Handed Nut
39	4	018-6059-00	5/8" x 2 1/2" Hex Bolt
40	4	013-7021-00	5/8" Nylock Nut
41	2	013-6051-00	3/8" Fine Threaded Jam Nut
42	12	013-5041-00	3/8" Nylock Nut
43	2	019-5029-00	3/8" Flat Washer
44	3	018-5250-00	3/8" x 3/4" Hex Bolt
45	2	019-6042-00	.360 ID Plastic Washer
46	2	013-8047-00	5/16" Nylock Nut
47	4	019-5010-00	1/2" Brass Washer
48	2	018-7050-00	1/2" x 4 1/2" Bolt
49	3	019-6020-00	1/2" Cupped Washer
50	14	013-8050-00	1/2" Flange Lock Nut
51	1	025-5337-00	1 1/4" Pulley Spacer
52	3	030-6029-00	3/8" Set Screw
53	1	039-4880-00	2007 Hanger Plate
54	1	210-6005-00	Rubber Side Discharge
55	5	018-5020-00	5/16" x 1 1/2" Carriage Bolt
56	5	013-8049-00	5/16" Nylock Flange Nut
57	1	039-4881-00	2007 Lower Hanger Plate

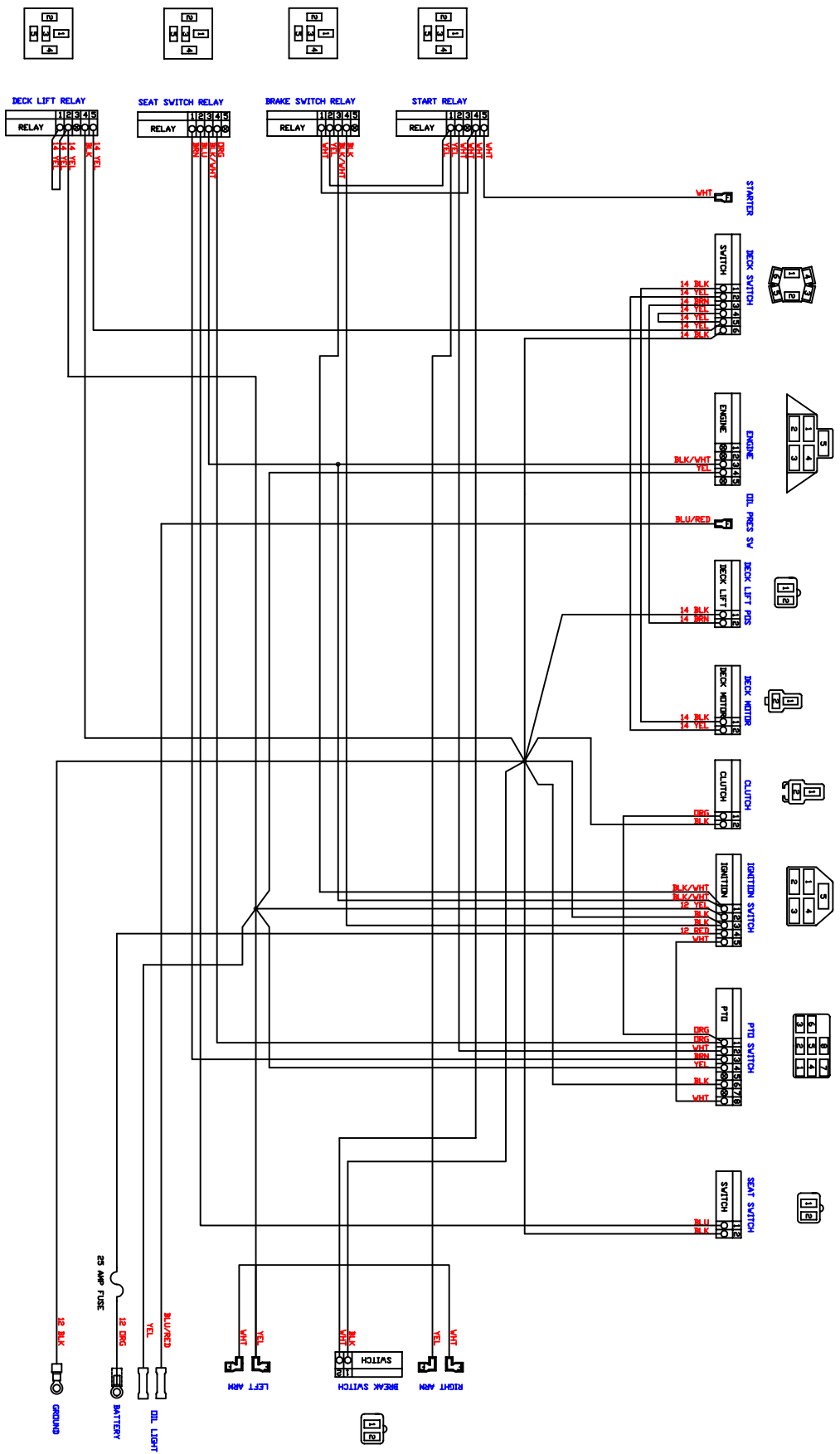
ALL WIRES 16GA UNLESS NOTED OTHERWISE.



ELECTREX, INC.
 HUTCHINSON, KS
 CUSTOMER _____ BAD BOY
 THEIR P/N _____ 086-2050-00
 DWG TITLE _____ SCHEMATIC
 OUR P/N _____ 9199028SCHEMATIC
 P 1 OF 1 REVISION B
 DRAWN BY AND DATE 9/28/05

THIS DRAWING AND THE INFORMATION IT CONTAINS ARE THE PROPERTY OF ELECTREX, INC. AND MAY BE USED BY OTHERS ONLY AS AUTHORIZED BY US.

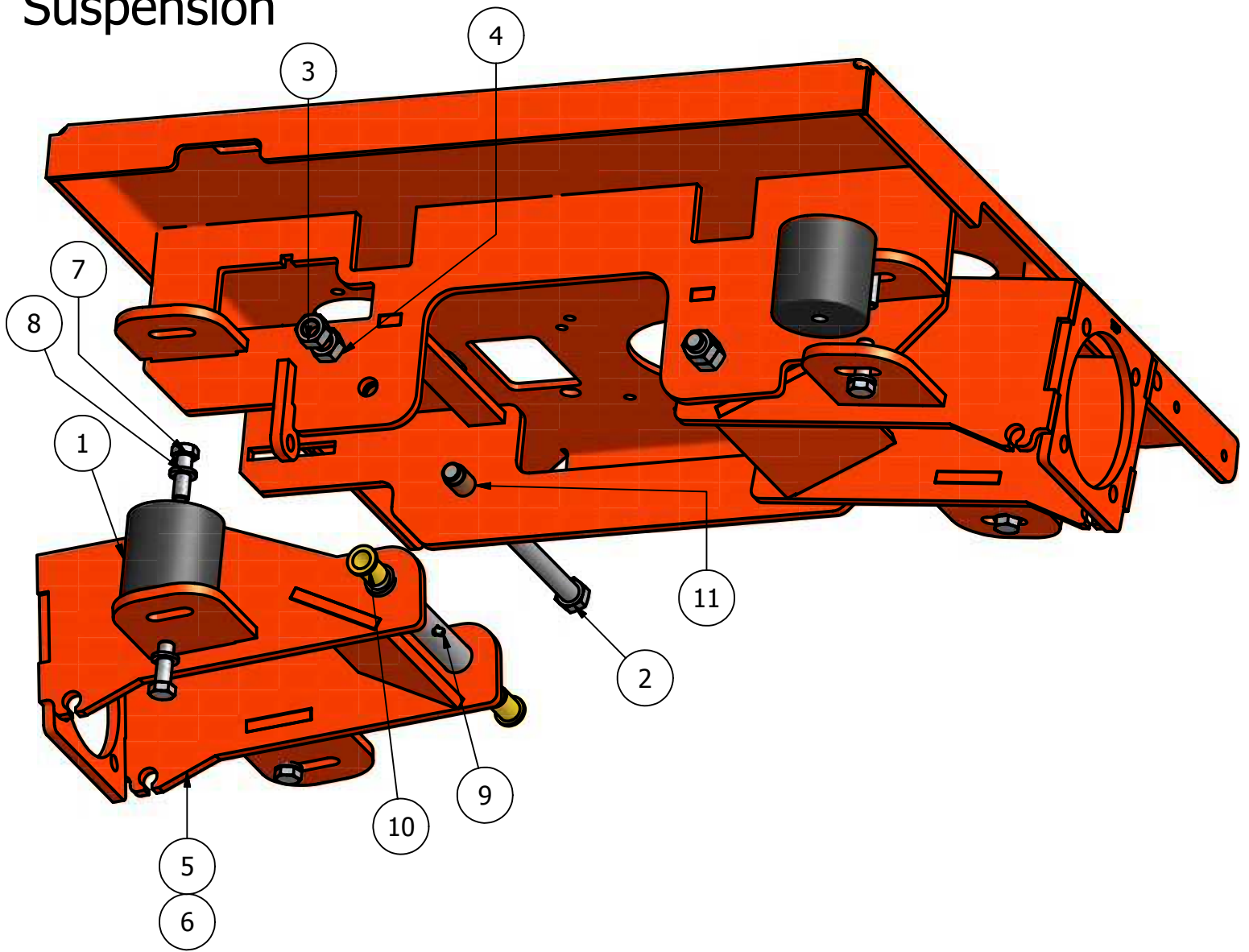
ALL WIRES 16GA UNLESS NOTED OTHERWISE.



ELECTREX, INC.
 HUTCHINSON, KS
 CUSTOMER: BAID BOV
 THEIR P/N: 086-2008-00
 DWG TITLE: SCHEMATIC
 OUR P/N: 9199030SCHEMATIC
 REVISION: A
 DATE: 9/28/05
 DRAWN BY: AND

THIS DRAWING AND THE INFORMATION IT CONTAINS ARE THE PROPERTY OF ELECTREX, INC. AND MAY BE USED BY OTHERS ONLY AS AUTHORIZED BY US.

Suspension



Parts List			
ITEM	QTY	PART NUMBER	DESCRIPTION
1	4	032-9000-00	Vibration Mount
2	2	018-2051-00	5/8" x 10" Hex Bolt (Grade 8)
3	2	013-5301-00	5/8" Nylock 1/2 Jam
4	2	013-5020-00	5/8" Nut
5	2	070-8000-00	60" Inner Suspension Cage
6	2	070-8001-00	72" Inner Suspension Cage
7	8	018-5006-00	1/2" x 1 1/2" Hex Bolt
8	8	019-5007-00	1/2" Lock Washer
9	2	024-6034-00	Grease Fitting (Drive-In)
10	4	032-5050-00	Shoulder Spacer
11	4	024-5204-00	3" Long Motor Fitting
12	4	215-2000-00	3/4" Brass Bushing